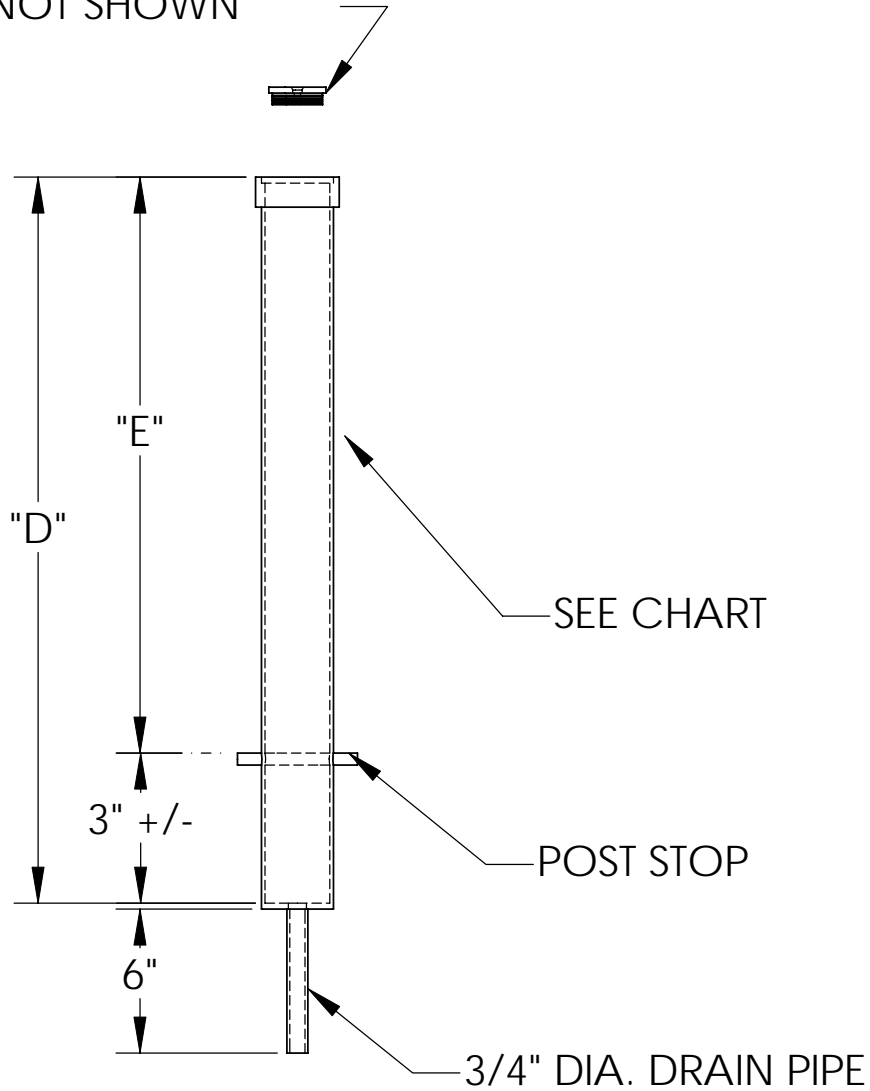


STEELCRAFT PRODUCTS

P.O. Box 90365 - Pasadena, CA 91109
 PHN 626-798-7401 FAX 626-798-1482

MODEL
 SERIES "E"
 POST SLEEVE

COMPRESSION
 CAP w/ 3/8" DIA. BOLT
 BOLT NOT SHOWN



| MODEL NO. | POST SIZE (O.D) | SLEEVE SIZE (O.D) | "D" | "E" | FOOTING DIAM. (O.D.) | FOOTING DEPTH |
|-----------|-----------------|-------------------|-----|-----|----------------------|---------------|
| 238-E | 2-3/8" | 2-7/8" | 21" | 18" | 16" | 21" |
| 278-E | 2-7/8" | 3-1/2" | 27" | 24" | 16" | 27" |
| 350-E | 3-1/2" | 4" | 33" | 30" | 24" | 33" |
| 450-E | 4-1/2" | 5" | 39" | 36" | 30" | 39" |

NOTE: SPECIFICATIONS ARE SUBJECT TO CHANGE

DO NOT SCALE DRAWING

DATE: 2/16/09

DRAWN BY: AFS