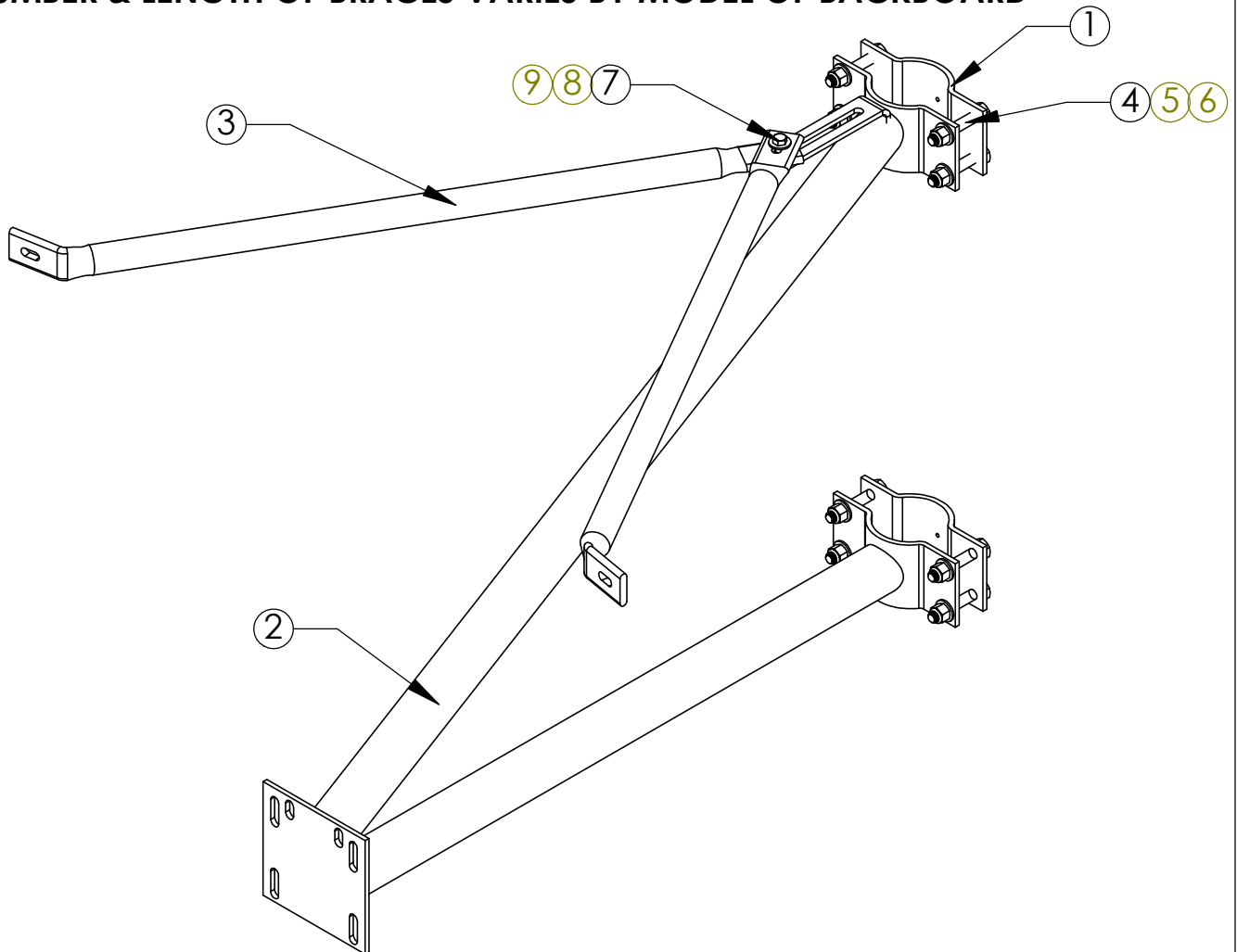


# STEELCRAFT PRODUCTS

P.O. Box 90365 - Pasadena, CA 91109  
 PHN 626-798-7401 FAX 626-798-1482

MODEL  
 ZE-33  
 EXTENSION FRAME

**NOTE: NUMBER & LENGTH OF BRACES VARIES BY MODEL OF BACKBOARD**



**ZE-33 EXTENSION FRAME**

ITEM	QTY.	PART NO.	DESCRIPTION
1	2	VCIHC312	STANDARD HALF CLAMP (3-1/2" OD)
2	1		3' ADJUSTABLE OFFSET ASSEMBLY
3	2	CIBBRACE36	1" OD GALV. STEEL TUBE 36" LONG
4	8	HWHB123	1/2" X 3" HEX BOLTS
5	8	HWLN12	1/2" NYLOCK NUT
6	16	HWFLWA12	1/2" FLAT WASHERS
7	1	HWHB38112	3/8" x 1-1/2" HEX BOLT
8	1	HWLN38	3/8" NYLOCK NUT
9	2	HWFLWA38	3/8" FLAT WASHER

**NOTE: SPECIFICATIONS ARE SUBJECT TO CHANGE**

DO NOT SCALE DRAWING

DATE: 7/7/09

DRAWN BY: AFS