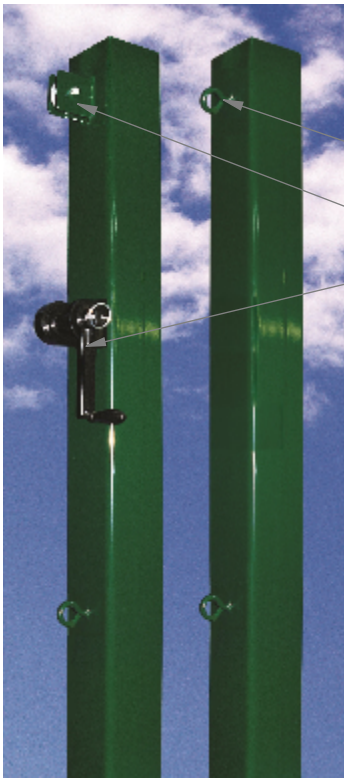
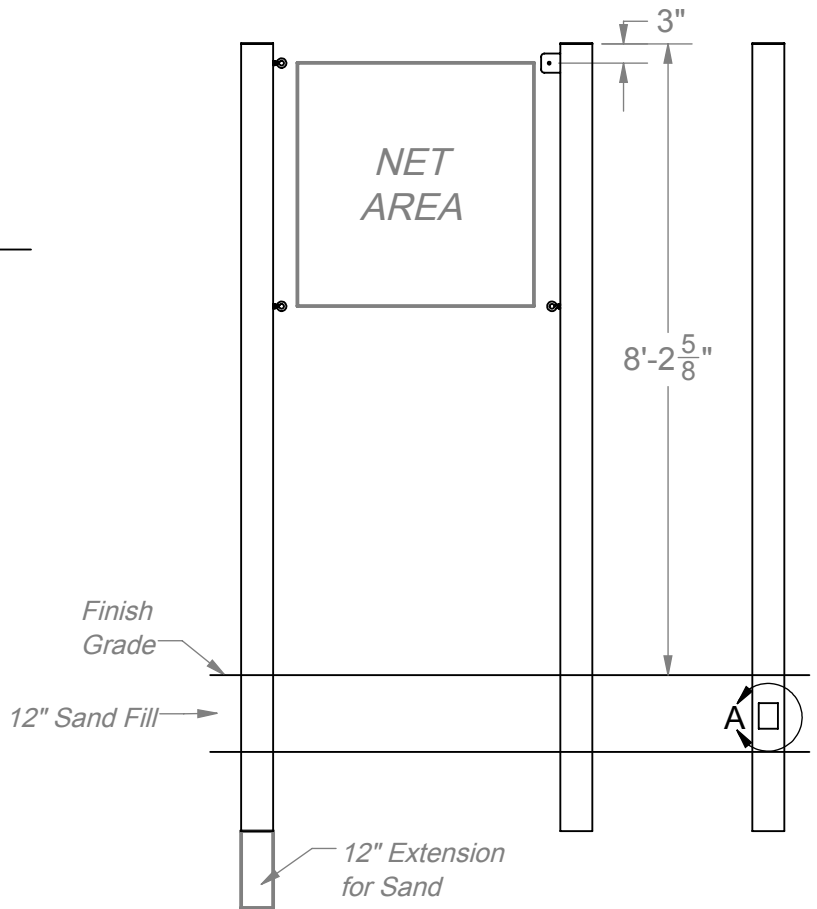


VOLLEYBALL

MODEL LA-VBP5-SQ-AL
 5" SQ. ALUMINUM COMPETITION POST (143 lbs)



Eye Bolt
 Side Pulley
 Net Tightener



GENERAL: Square Volleyball Posts for sprinklers are fabricated using aluminum tubing and are equipped with two (2) fixed eyes on one post and one (1) side pulley, one (1) fixed net tightener and one (1) fixed eye for rope clamp on the other post.

MATERIAL: All materials are selected for strength, durability and the ability to withstand years of exposure.

ROPE CLAMPS: A heavy-duty self-securing clamp, die-cast from rustproof "zamak" metal. Designed to take rope sizes 1/8" to 3/8". Designed to take stress off of rope, as it has a smooth grooved track for the rope. **NOTE:** For use on nets with rope suspension.

NET TIGHTENER W/ REMOVABLE HANDLE: Permits easy and accurate tensioning of the net. Designed for use on nets with cable or rope suspension. Aluminum cast with a removable handle to lock in place. Pull pin and remove handle.

SIDE PULLEY: All welded construction of aluminum or powder coated. A 2-1/2" Dia. pulley on a 3/8" diameter shaft guides the net cable or rope to the tightener.

FIXED EYES: Fixed Hex Nuts to receive 3/8" Eye Bolts.

FINISH: Post can be powder coated in any of our available colors for an additional cost.

WARRANTY PERIOD: 10 years



Date: 9/28/15
 Rev: 4/29/20
 Drawn: DH
 Sheet: 1 of 3

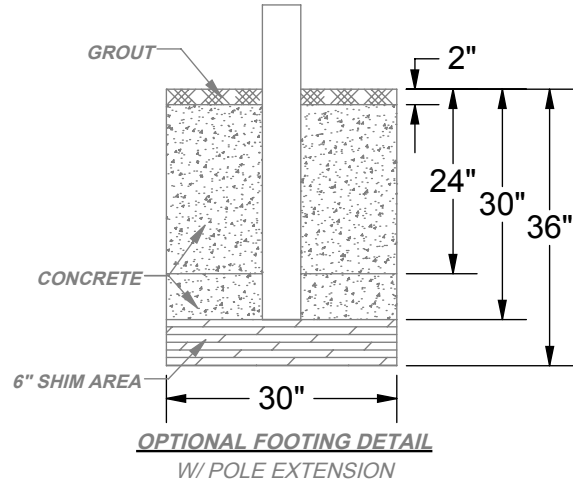
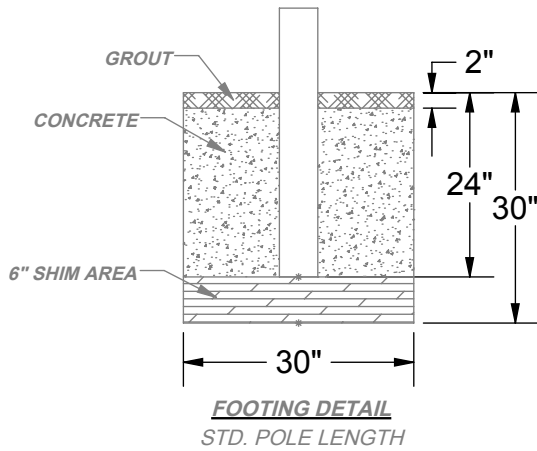
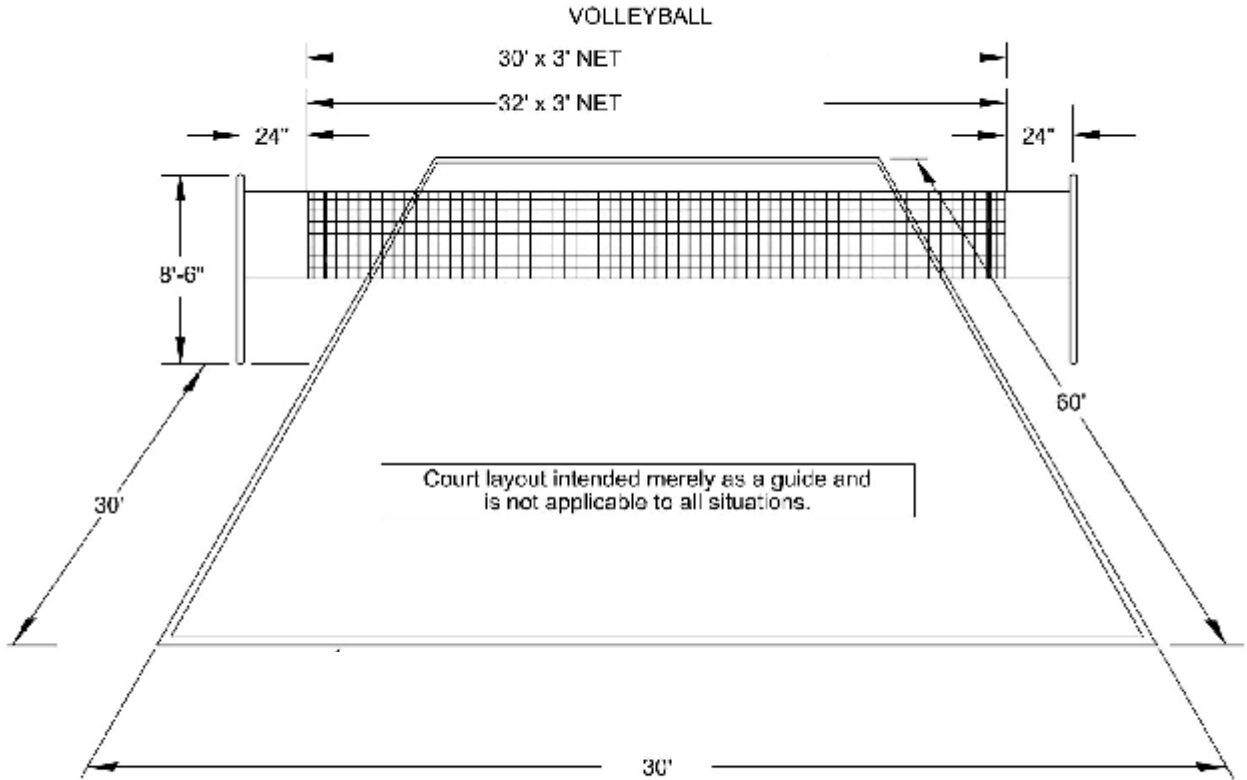
SPECIFICATION/INSTALLATION INSTRUCTIONS

COMPETITION VOLLEYBALL POST W/ NET TIGHTENER, SIDE PULLEY & ROPE CLAMP

MODEL NO.

LA-VBP5-SQ-AL

VOLLEYBALL



Formula to calculate total depth of footing:
 $24'' (\text{Std}) + X (\text{Extension}) + 6'' = D (\text{Depth})$

NOTE: For Sand installation, add depth of sand to total.



Date: 9/28/15
 Rev: 4/29/20
 Drawn: DH
 Sheet: 2 of 3

SPECIFICATION/INSTALLATION INSTRUCTIONS

COMPETITION VOLLEYBALL POST W/ NET
 TIGHTENER, SIDE PULLEY & ROPE CLAMP

MODEL NO.

LA-VBP5-SQ-AL

VOLLEYBALL


INSTALLATION INSTRUCTIONS:

1. Dig holes per footing detail.
2. Install eyebolts. Secure collars in place with a hex wrench. Tighten set screw slightly to hold.
3. Set the posts in the holes & shim from below so that the top of the posts are 8'-6" from finished grade. Plumb & brace. Pour concrete to within 2" of finish grade. Allow concrete to set 3 days. Cover footings with soil or turf. Remove bracing.
4. Secure side pulley so the pulley is 4" from top of pipe & in line w/ eye bolt on other side. Use set screw to secure.
5. Tighten all nuts securely. Any excess threads on eyebolts should be cut & peened smooth.
6. If ordering an optional center post follow steps 1, 2, & 3.
7. When attaching nets, the "through" rope or cable on the top of all the nets allows the netting to slide back & forth. Note: Use net tie-offs on top & bottom of nets to center net & pull tight.

NOTE: Footing sizes are based on average soil conditions. Loose and/or sandy soil is not average & footing sizes must be increased accordingly to meet local soil conditions.

Packing Slip	Qty
LA-VBP5-SQ-AL	
5" SQ. x 10'3" Post	2

LA-VBP5-SQ-AL	Qty
Net Tightener w/ Removable Handle	1
3/8 x 3/4" Hex Bolt for Above	2
3/8" Flat Washer for Above	2
2-1/2" Cast Pulley	1
3/8" x 1-1/2" Hex Bolt	1
3/8" Nylock Nut for Side Pulley	1
3/8" x 1" Eye Bolt	3
Rope Clamp with S-Hook	1

 <p>Steelcraft ELEMENTS FOR LIFE OUTSIDE™</p> <p>www.LASTEELCRAFT.com 1-800-371-2438</p>	Date: 9/28/15	SPECIFICATION/INSTALLATION INSTRUCTIONS
	Rev: 4/29/20	
	Drawn: DH	MODEL NO.
	Sheet: 3 of 3	LA-VBP5-SQ-AL