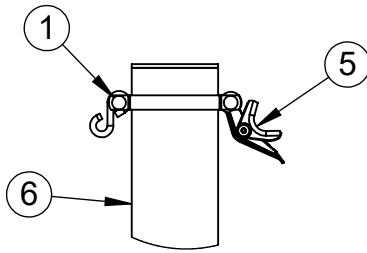
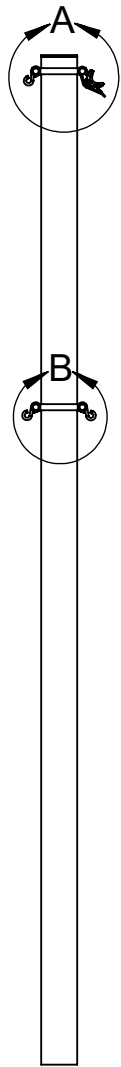
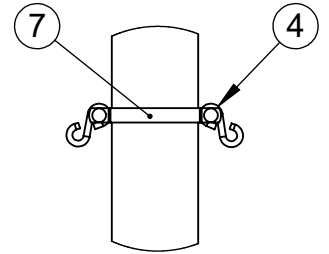


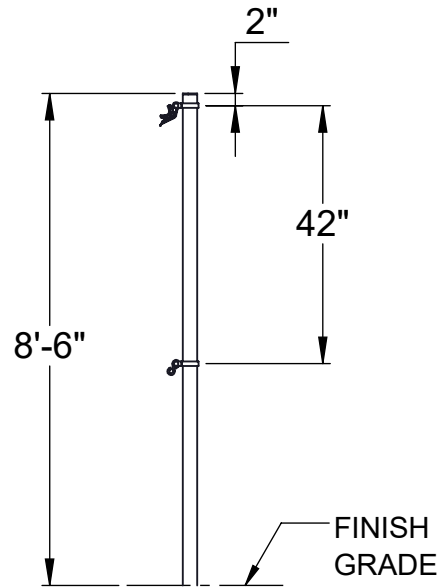
ITEM NO.	PART NUMBER	DESCRIPTION	QTY.
1	HWCB5161	5/16"-18 x 1" CARRIAGE BOLT	4
2	HWFLWA516	5/16" USS FLAT WASHER	4
3	HWLN516	5/16"-18 LOCK NUT	4
4	HWSH516212	5/16" x 2-1/2" S-HOOK	3
5	604-044	ROPE CLAMP WITH S-HOOK	1
6	W2217GPOST	4-1/2" O.D. GAME POST AND CAP	1
7	VCISPLIT45	SPLIT RAIL HALF CLAMP FOR 4-1/2" O.D. POST	2



DETAIL A




DETAIL B



ELEVATION VIEW

INSTALL THE POST IN A ϕ 18" x 24" DEEP CONCRETE FOOTING OR POST SLEEVE. THE TOP OF THE POST IS 8'-6" ABOVE THE FINISH GRADE.

 <p>www.LASTEELCRAFT.com 1-800-371-2438</p>	Date: 5/15/23	PRODUCT NAME SUPER VALUE COMBO NET CENTER POST
	Rev:	
	Drawn: CW	MODEL NO. LA-VBP4-CSDC-SPEC
	Sheet: 1 of 1	