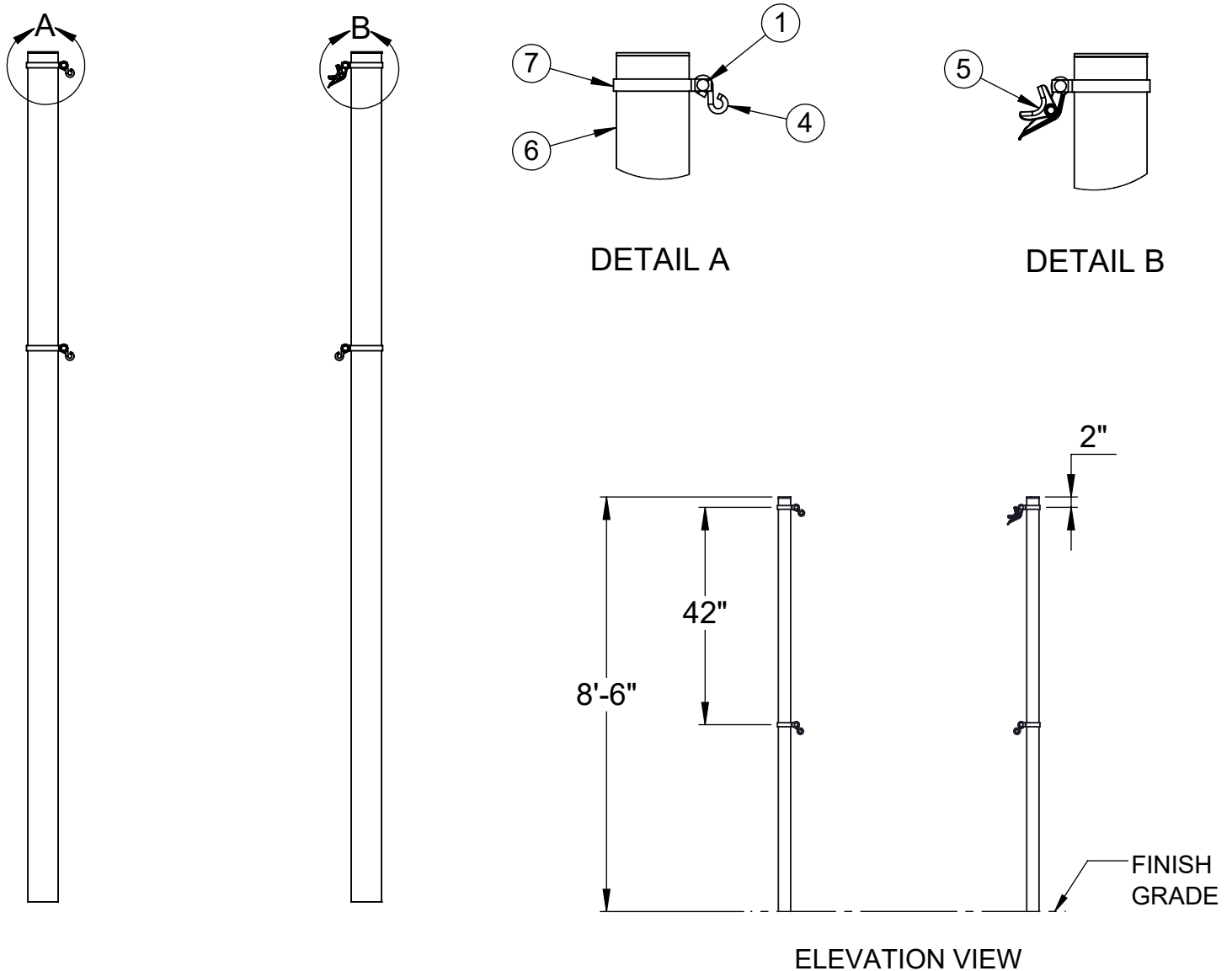



ITEM NO.	PART NUMBER	DESCRIPTION	QTY.
1	HWCB5161	5/16"-18 x 1" CARRIAGE BOLT	4
2	HWFLWA516	5/16" USS FLAT WASHER	4
3	HWLN516	5/16"-18 LOCK NUT	4
4	HWSH516212	5/16" x 2-1/2" S-HOOK	3
5	604-044	ROPE CLAMP WITH S-HOOK	1
6	W2217GPOST	4-1/2" O.D. GAME POST AND CAP	2
7	VCIBB45	4-1/2" BRACE BAND	4



INSTALL THE POSTS IN  $\phi$  18" x 24" DEEP CONCRETE FOOTINGS OR POST SLEEVES. THE TOPS OF THE POSTS ARE 8'-6" ABOVE THE FINISH GRADE.

 <p><b>Steelcraft</b> ELEMENTS FOR LIFE OUTSIDE®</p> <p>www.LASTEELCRAFT.com 1-800-371-2438</p>	Date: 5/15/23	<b>PRODUCT NAME</b>
	Rev:	SUPER VALUE COMBO NET POSTS
	Drawn: CW	MODEL NO.
	Sheet: 1 of 1	LA-VBP4-BC-SPEC