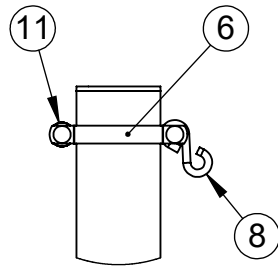
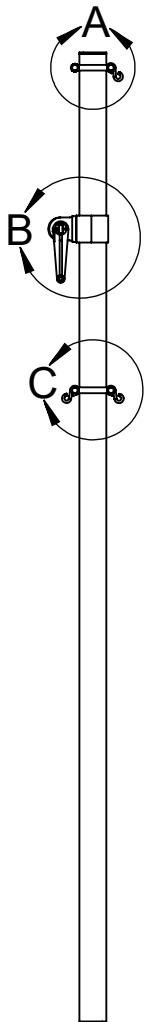
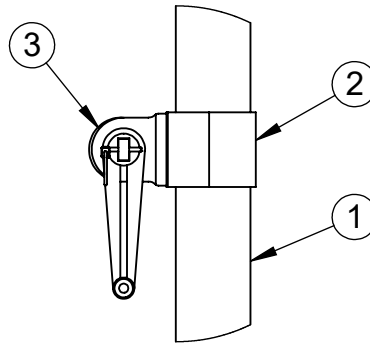


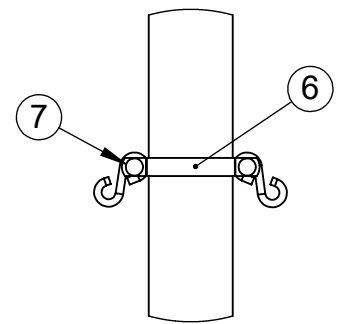
ITEM NO.	PART NUMBER	DESCRIPTION	QTY.
1	W2216GPOST	3-1/2" O.D. GAME POST AND CAP	1
2	CINETCOL312	ADJUSTABLE NET COLLAR	1
3	8321NT	NET TIGHTENER WITH REMOVABLE HANDLE	1
4	HWSC3858	3/8"-16 x 5/8" SET SCREW	1
5	HWHB51634	5/16" x 3/4" HEX BOLT	2
6	VCISPLIT35	3-1/2" SPLIT RAIL HALF CLAMP	2
7	HWCB5161	5/16"-18 x 1" CARRIAGE BOLT	4
8	HWSH516212	5/16" x 2-1/2" S-HOOK	3
9	HWFLWA516	5/16" USS FLAT WASHER	6
10	HWLN516	5/16"-18 LOCK NUT	4
11	LA-VCIPULLEY1	GAME POST PULLEY	1



DETAIL A



DETAIL B



DETAIL C

INSTALL THE POST IN A  $\phi$  18" x 24" DEEP CONCRETE FOOTING OR POST SLEEVE. THE TOP OF THE POST IS 8'-6" ABOVE THE FINISH GRADE.



Date: 5/3/23  
 Rev:  
 Drawn: CW  
 Sheet: 1 of 1

**PRODUCT NAME**

QUALITY GAME CENTER POST

**MODEL NO.**

LA-VBP3-BGC-SPEC