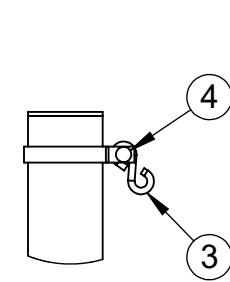
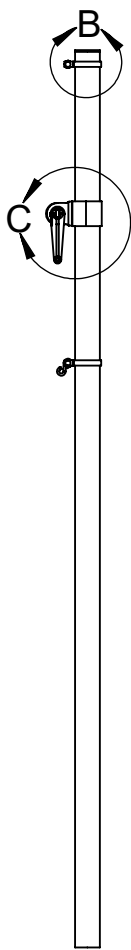
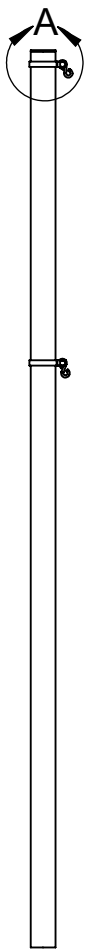
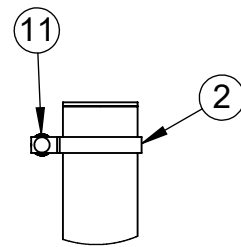


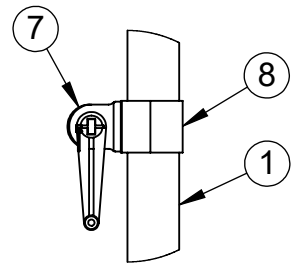
ITEM NO.	PART NUMBER	DESCRIPTION	QTY.
1	W2216GPOST	3-1/2" O.D. GAME POST AND CAP	2
2	VCIBB35	3-1/2" BRACE BAND	4
3	HWSH516212	5/16" x 2-1/2" S-HOOK	3
4	HWCB5161	5/16"-18 x 1" CARRIAGE BOLT	4
5	HWFLWA516	5/16" USS FLAT WASHER	6
6	HWLN516	5/16"-18 LOCK NUT	4
7	8321NT	NET TIGHTENER WITH REMOVABLE HANDLE	1
8	CINETCOL312	ADJUSTABLE NET COLLAR	1
9	HWHB51634	5/16" x 3/4" HEX BOLT	2
10	HWSC3858	3/8"-16 x 5/8" SET SCREW	1
11	LA-VCIPULLEY1	GAME POST PULLEY	1



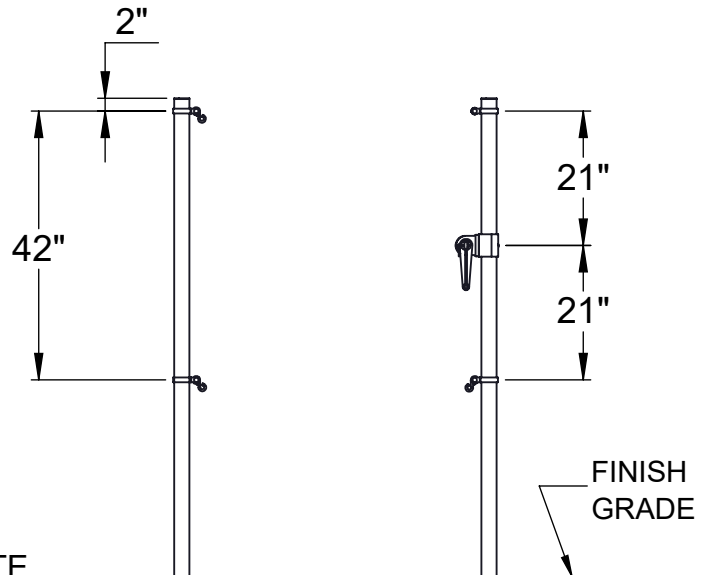
DETAIL A



DETAIL B



DETAIL C



ELEVATION VIEW

INSTALL THE POSTS IN  $\phi$  18" x 24" DEEP CONCRETE FOOTINGS OR POST SLEEVES. THE TOPS OF THE POSTS ARE 8'-6" ABOVE THE FINISH GRADE.



Date: 5/3/23

Rev:

Drawn: CW

Sheet: 1 of 1

PRODUCT NAME

QUALITY GAME NET POSTS

MODEL NO.

LA-VBP3-BG-SPEC