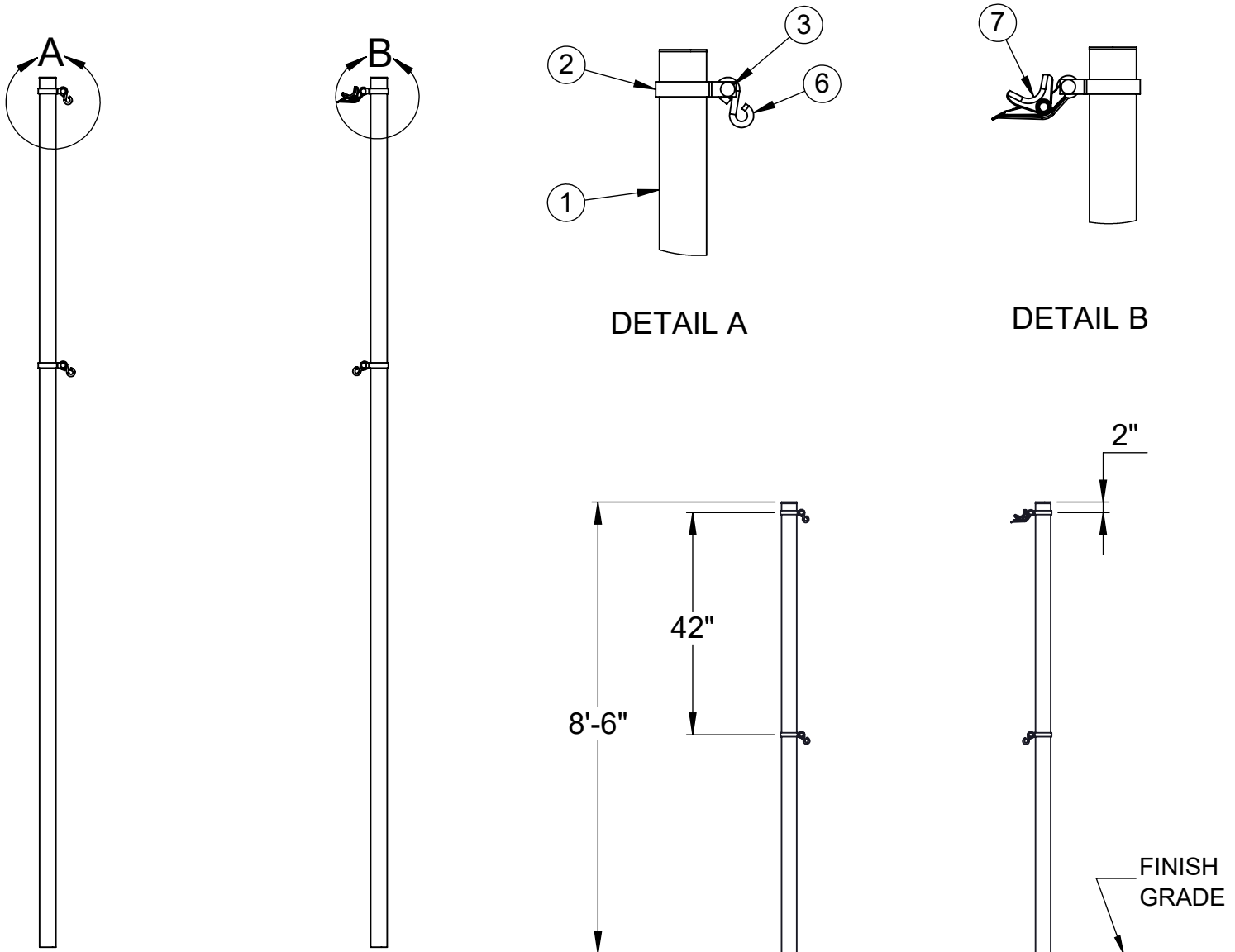


ITEM NO.	PART NUMBER	DESCRIPTION	QTY.
1	W2212GPOST	2-3/8" O.D. GAME POST AND CAP	2
2	VCIBB238	2-3/8" BRACE BAND	4
3	HWCB5161	5/16"-18 x 1" CARRIAGE BOLT	4
4	HWFLWA516	5/16" USS FLAT WASHER	4
5	HWLN516	5/16"-18 LOCK NUT	4
6	HWSH516212	5/16" x 2-1/2" S-HOOK	3
7	604-044	ROPE CLAMP	1



INSTALL THE POSTS IN ϕ 18" x 24" DEEP CONCRETE FOOTINGS OR POST SLEEVES. THE TOPS OF THE POSTS ARE 8'-6" ABOVE THE FINISH GRADE.

ELEVATION VIEW

	Date: 4/25/23	PRODUCT NAME
	Rev:	SUPER VALUE COMBO NET POST
	Drawn: CW	MODEL NO.
	Sheet: 1 of 1	LA-VBP2-BC-SPEC