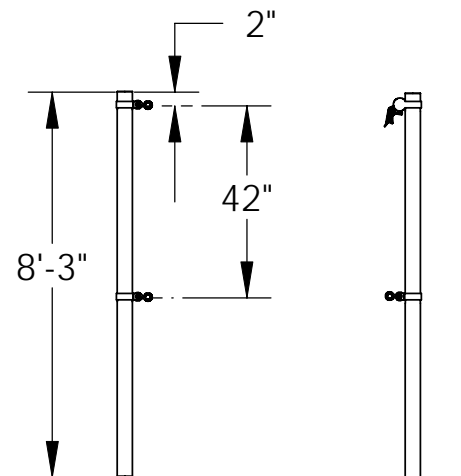


VBP2-CSDC 2-3/8OD POST @ 9'-9"
VBP25-CSDC 2-7/8OD POST @ 10'-3"
VBP3-CSDC 3-1/2OD POST @ 10'-9"



INSTALL POSTS IN GROUND SLEEVES
OR 12" DIA. X 18" DEEP CONC. FOOTINGS
POST TO BE 8'-3" ABOVE FINISHED GRADE

ITEM	QTY.	PART NO.	DESCRIPTION
1	1	F04VBXXX	() Sch. 40 GALV. PIPE
2	1	L03VB000	CID SERIES POST CAP
3	3	P01VB000	BC SERIES EYELET
4	2	P06VB000	SPLIT BRACE BAND w/ HARDWARE
5	1	F06VB022	BC SERIES CLAMP

NOTE: SPECIFICATIONS ARE SUBJECT TO CHANGE