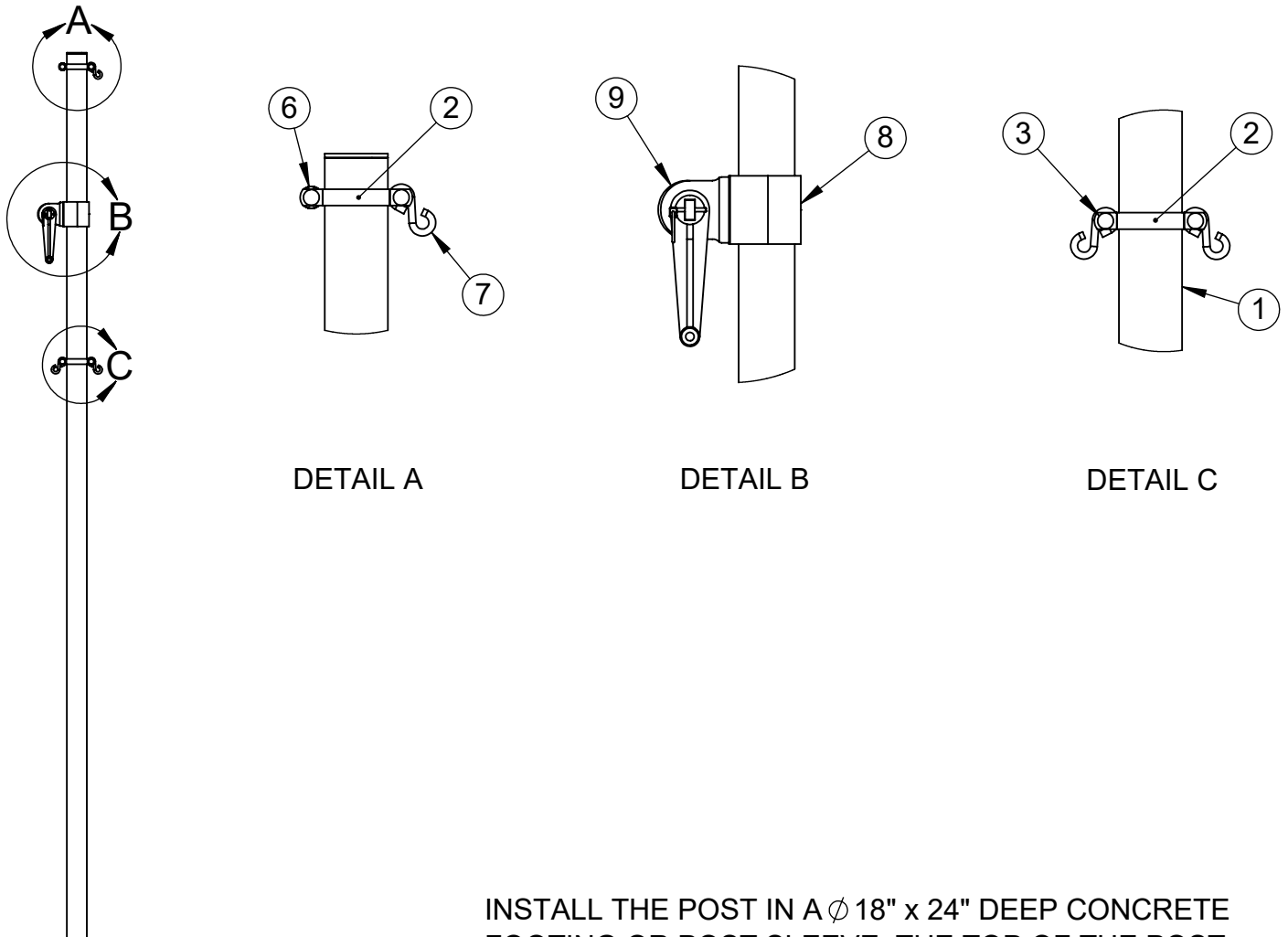


ITEM NO.	PART NUMBER	DESCRIPTION	QTY.
1	W2214GPOST	2-7/8" O.D. GAME POST AND CAP	1
2	VCISPLIT278	SPLIT RAIL HALF CLAMP	2
3	HWCB5161	5/16"-18 x 1" CARRIAGE BOLT	4
4	HWFLWA516	5/16" USS FLAT WASHER	6
5	HWLN516	5/16"-18 LOCK NUT	4
6	LA-VCIPULLEY1	GAME POST PULLEY	1
7	HWSH516212	5/16" x 2-1/2" S-HOOK	3
8	CINETCOL278	ADJUSTABLE NET COLLAR	1
9	8321NT	NET TIGHTENER WITH REMOVABLE HANDLE	1
10	HWSC3858	3/8"-16 x 5/8" SET SCREW	1
11	HWHB51634	5/16" x 3/4" HEX BOLT	2




DETAIL A

DETAIL B

DETAIL C

INSTALL THE POST IN A ϕ 18" x 24" DEEP CONCRETE FOOTING OR POST SLEEVE. THE TOP OF THE POST IS 8'-6" ABOVE THE FINISH GRADE.

 <p>www.LASTEELCRAFT.com 1-800-371-2438</p>	Date: 5/3/23	PRODUCT NAME QUALITY GAME CENTER POST
	Rev:	
	Drawn: CW	LA-VBP25-BGC-SPEC
	Sheet: 1 of 1	