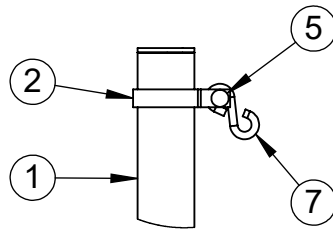
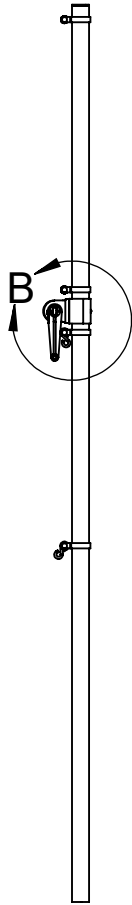
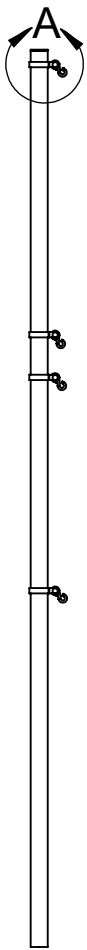
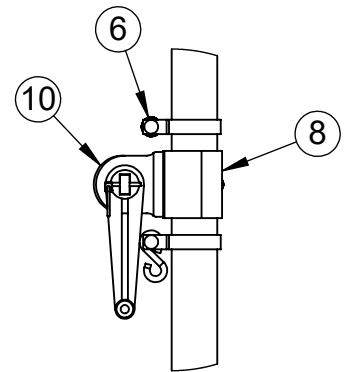


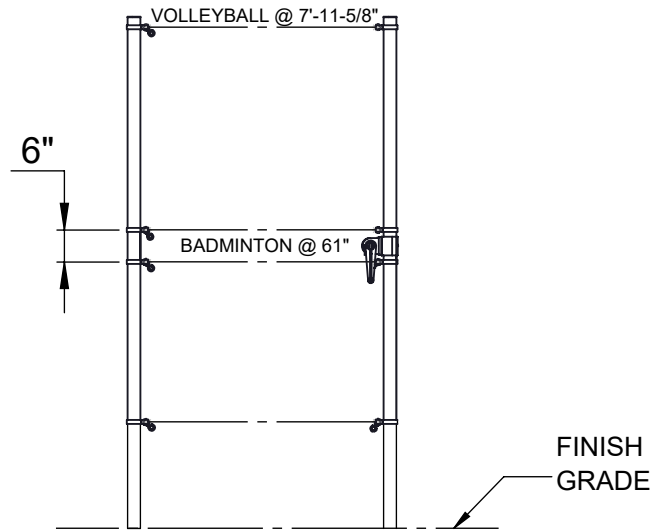
ITEM NO.	PART NUMBER	DESCRIPTION	QTY.
1	W2212GPOST	2-3/8" O.D. GAME POST AND CAP	2
2	VCIBB238	2-3/8" BRACE BAND	8
3	HWLN516	5/16"-18 LOCK NUT	8
4	HWFLWA516	5/16" USS FLAT WASHER	10
5	HWCB5161	5/16"-18 x 1" CARRIAGE BOLT	8
6	LA-VCIPULLEY1	GAME POST PULLEY	2
7	HWSH516212	5/16" x 2-1/2" S-HOOK	6
8	CINETCOL238	ADJUSTABLE NET COLLAR	1
9	HWSC3858	3/8"-16 x 5/8" SET SCREW	1
10	8321NT	NET TIGHTENER WITH REMOVABLE HANDLE	1
11	HWHB51634	5/16" x 3/4" HEX BOLT	2



DETAIL A



DETAIL B



NET HARDWARE
DETAIL/ELEVATION

INSTALL THE POSTS IN ϕ 18" x 24" DEEP CONCRETE FOOTINGS OR POST SLEEVES. THE TOPS OF THE POSTS ARE 8'-6" ABOVE THE FINISH GRADE.



Date: 4/25/23	PRODUCT NAME
Rev:	STANDARD COMBO NET POST
Drawn: CW	MODEL NO.
Sheet: 1 of 1	LA-VBBM2-BG-SPEC