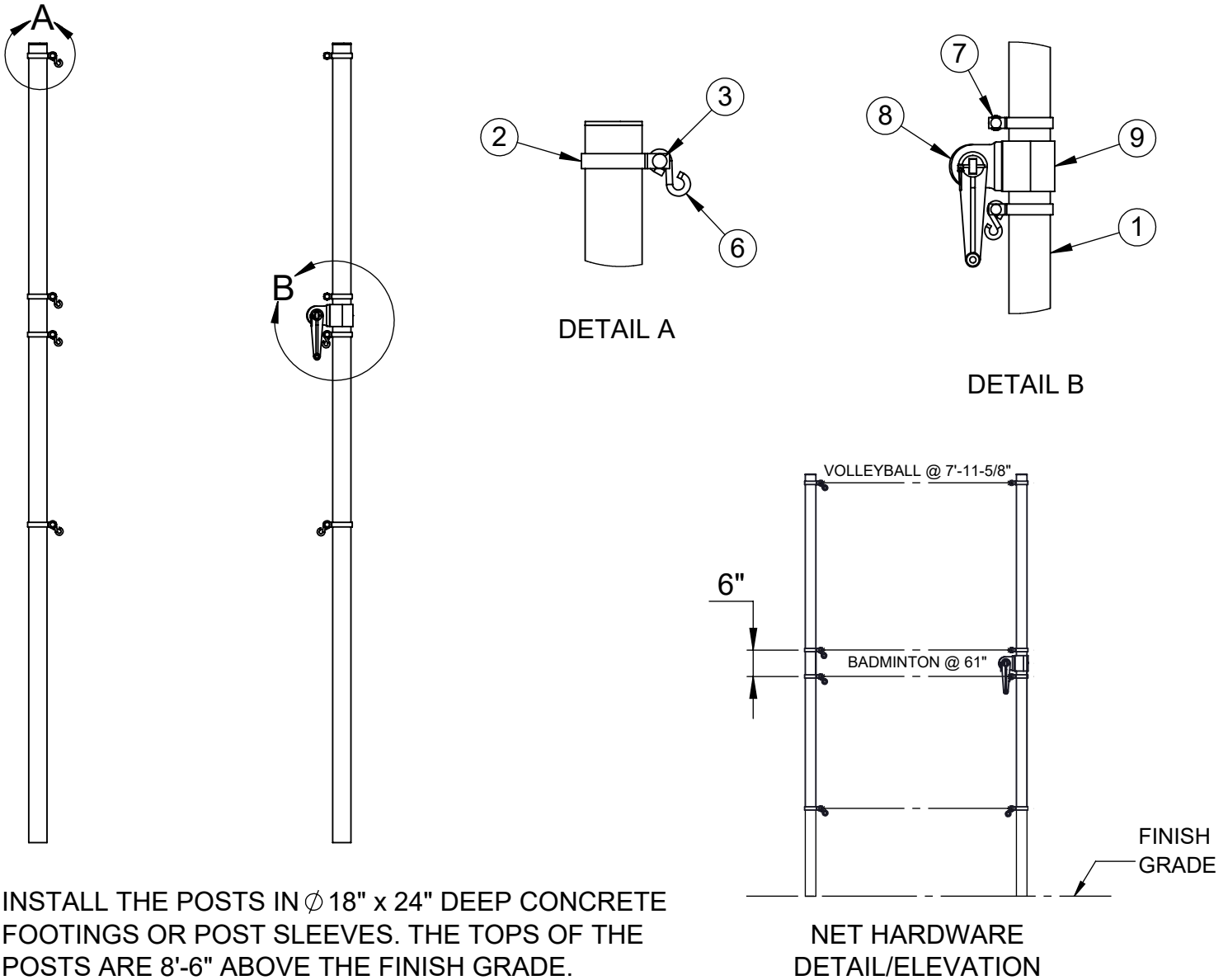



| ITEM NO. | PART NUMBER   | DESCRIPTION                         | QTY. |
|----------|---------------|-------------------------------------|------|
| 1        | W2214GPOST    | 2-7/8" O.D. GAME POST AND CAP       | 2    |
| 2        | VCIBB278      | 2-7/8" BRACE BAND                   | 8    |
| 3        | HWCB5161      | 5/16"-18 x 1" CARRIAGE BOLT         | 8    |
| 4        | HWFLWA516     | 5/16" USS FLAT WASHER               | 10   |
| 5        | HWLN516       | 5/16"-18 LOCK NUT                   | 8    |
| 6        | HWSH516212    | 5/16" x 2-1/2" S-HOOK               | 6    |
| 7        | LA-VCIPULLEY1 | GAME POST PULLEY                    | 2    |
| 8        | 8321NT        | NET TIGHTENER WITH REMOVABLE HANDLE | 1    |
| 9        | CINETCOL278   | ADJUSTABLE NET COLLAR               | 1    |
| 10       | HWSC3858      | 3/8"-16 x 5/8" SET SCREW            | 1    |
| 11       | HWHB51634     | 5/16" x 3/4" HEX BOLT               | 2    |



|  |               |                     |
|--|---------------|---------------------|
|  <p><b>Steelcraft</b><br/>ELEMENTS FOR LIFE OUTSIDE™</p> <p>www.LASTEELCRAFT.com<br/>1-800-371-2438</p> | Date: 4/25/23 | <b>PRODUCT NAME</b> |
|  | Rev:          |                     |
|  | Drawn: CW     | MODEL NO.           |
|  | Sheet: 1 of 1 | LA-VBBM25-BG-SPEC   |