

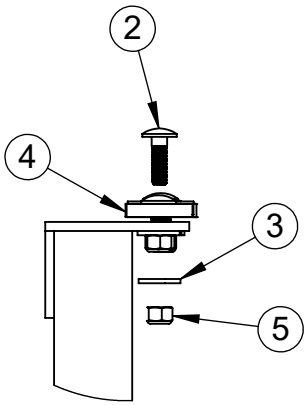
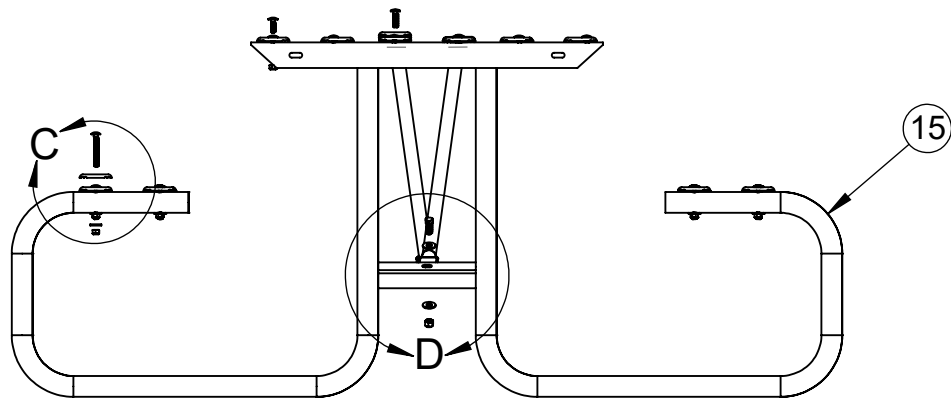
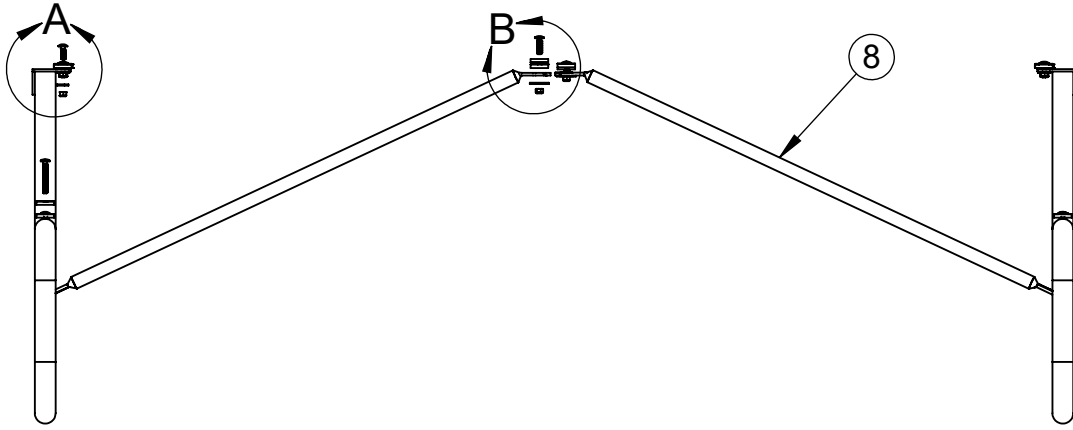
Date: 6/21/23  
Rev:  
Drawn: CW  
Sheet: 1 of 4

PRODUCT NAME

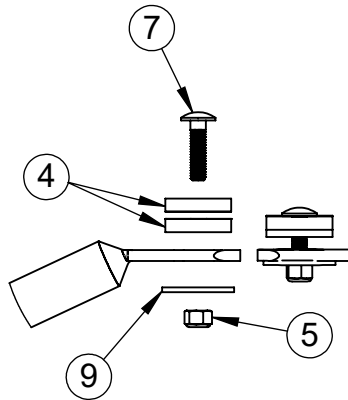
6' ALUMINUM PLANK TABLE

MODEL NO.

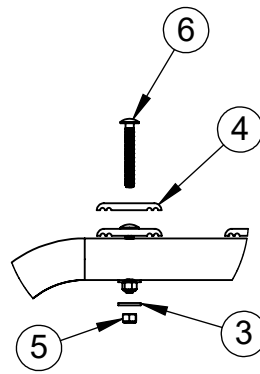
TPA-6A-SPEC



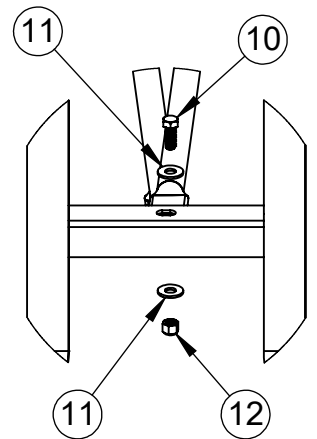
DETAIL A



DETAIL B



DETAIL C



DETAIL D



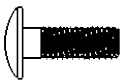
Date: 6/21/23  
 Rev:  
 Drawn: CW  
 Sheet: 2 of 4

PRODUCT NAME

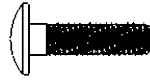
6' ALUMINUM PLANK TABLE

MODEL NO.

TPA-6A-SPEC



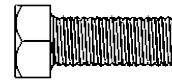
HWCB5161



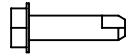
HWCB516114



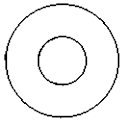
HWCB516212



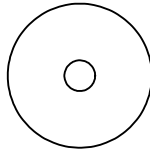
HWHB381



HWTEX1034



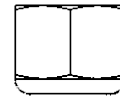
HWFLWA516/  
HWFLWA38



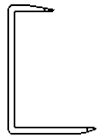
HWFW516



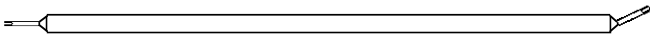
HWLN516



HWLN38



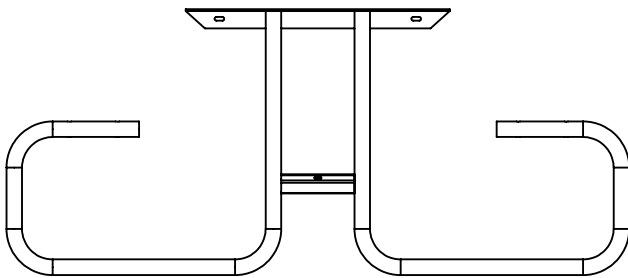
VCIAECP



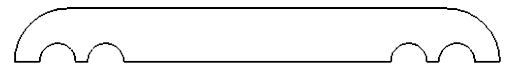
CIPICTAB6



RMPLK6-10TW



WTPAJFRAME



VCIACLP-TW



Date: 6/21/23

Rev:

Drawn: CW

Sheet: 3 of 4

PRODUCT NAME

6' ALUMINUM PLANK TABLE

MODEL NO.

TPA-6A-SPEC

ITEM NO.	PART NUMBER	DESCRIPTION	QTY.
1	RMPLK6-10TW	2" x 6' ALUMINUM PLANK	5
2	HWCB5161	5/16"-18 x 1" CARRIAGE BOLT	12
3	HWFLWA516	5/16" USS FLAT WASHER	20
4	VCIACLP-TW	ALUMINUM PLANK CLIP	24
5	HWLN516	5/16"-18 LOCK NUT	22
6	HWCB516212	5/16"-18 x 2-1/2" CARRIAGE BOLT	8
7	HWCB516114	5/16"-18 x 1-1/4" CARRIAGE BOLT	2
8	CIPICTAB6	1" O.D. GALV. SUPPORT BRACE	2
9	HWFW516	5/16" X 1-1/2" FENDER WASHER	2
10	HWHB381	3/8" x 1" HEX BOLT	2
11	HWFLWA38	3/8" FLAT WASHER	4
12	HWLN38	3/8" NYLOK NUT ZINC	2
13	VCIAECP	2"x10" ALUMINUM END CAP	10
14	HWTEX1034	#10 X 3/4" SELF DRILLING SCREW TEK POINT ZINC	20
15	WTPAJFRAME	J-FRAME ASSEMBLY	2



Date: 6/21/23

Rev:

Drawn: CW

Sheet: 4 of 4

PRODUCT NAME

6' ALUMINUM PLANK TABLE

MODEL NO.

TPA-6A-SPEC