

TETHERBALL

MODEL #LA-TBPCB
 2-3/8" O.D. GALVANIZED COMPETITION POST (59 lbs)

MODEL #8390
 REPLACEMENT TETHERBALL W/ BALL & ROPE (2 lbs)

GENERAL: This heavy-duty post is supplied with an official tetherball.
 Posts need to be permanently anchored in a concrete footing.

MATERIAL: All materials are selected for strength, durability and the ability to withstand years of exposure.

POSTS: A 2-3/8" O.D. heavy-duty galvanized steel post. All posts are fabricated from galvanized steel pipe. The post has a welded cap on top. Overall length of all posts is 11'-6".

EYE BOLT: 3/8" eyebolt, zinc plated and secured with nylock nut.

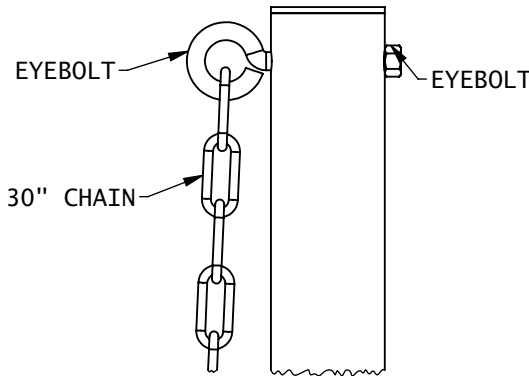
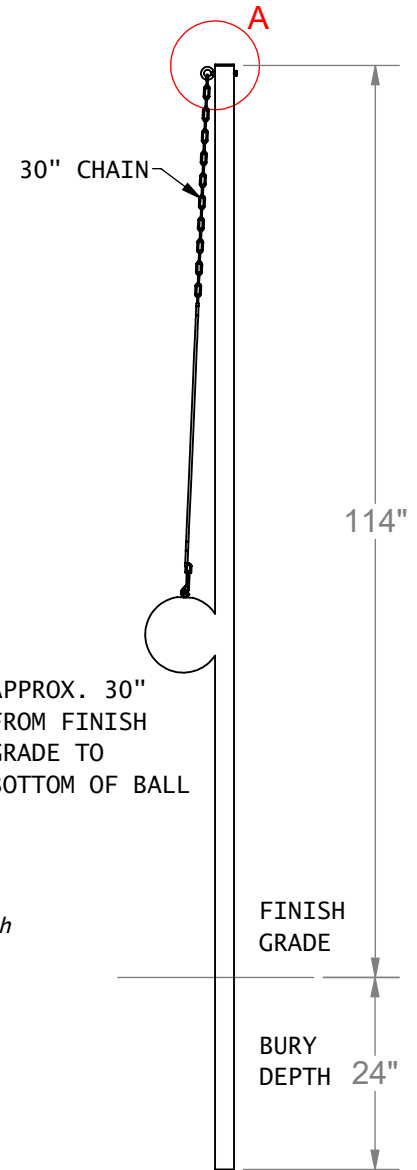
CHAIN: #2 zinc plated machine chain x 30" in length, connected directly to the eyebolt.

SWIVEL SNAP: 3/8" snap is connected to the end of the rope for easy attachment or removal of ball and rope.

BALL: Official size and shape with spiral design. The recessed rope attachment is completely reinforced and partially covered for strength and safety. The ball consists of a full molded butyl bladder and nylon carcass, covered with a uniform thickness of composition material for long lasting wear. Ball is also equipped with an all rubber valve and 7-1/2 feet of #6 white nylon rope.

FINISH: All Hardware is zinc plated for long rust free service.

WARRANTY PERIOD: 10 years



DETAIL - A



Date: 7/29/19

Rev:

Drawn: MT

Sheet: 1 of 2

SPECIFICATION/INSTALLATION INSTRUCTIONS

TETHERBALL POST WITH BALL

MODEL NO.

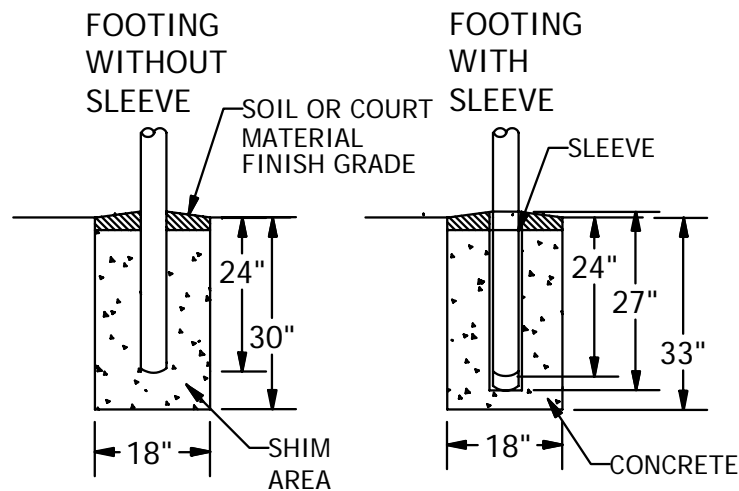
LA-TBPCB

TETHERBALL

INSTALLATION INSTRUCTIONS:

1. Dig a hole in the center of a 20ft. diameter circle per footing detail below. Set the bottom of the post in the center of the hole and shim from below so that the top of post (capped end) is 9'6" above finish grade. Plumb the post to true vertical and brace. Field install by pouring concrete to within 2" of finish grade. Allow concrete to set for 3 days before removal of bracing. Cover footing with soil or court material.
2. Install eyebolt with chain into hole on capped end of pipe and attach with 3/8" nylock nut.
3. Tie the ball rope to the swivel snap. Attach swivel snap to chain. Ball should hang 30" above finish grade.

NOTE: Footing sizes are based on average soil conditions. Loose and/or sandy soil is not average & footing sizes must be increased accordingly to meet local soil conditions.



ITEM NO.	PART NUMBER	DESCRIPTION	QTY.
1	RT-0001-1222-10-G	2 3/8" TETHERBALL POST	1
2	8390	Replacement Tetherball w/rope	1

KHWTB - Hardware Kit - Contains the following hardware pcs.

	HWEB383	3/8 X 3 TURNED EYE BOLT	1
	HWHN38	3/8-16 INSERT NYLOK ZINC	1
	HWCHAIN316	3/16 PROOF COL CHAIN ZINC	30
	HWSWIVEL	OVAL EYE TYPE BOLT SWIVEL SNAPS	1



Date: 7/29/19

Rev:

Drawn: MT

Sheet: 2 of 2

SPECIFICATION/INSTALLATION INSTRUCTIONS

TETHERBALL POST WITH BALL

MODEL NO.

LA-TBPCB