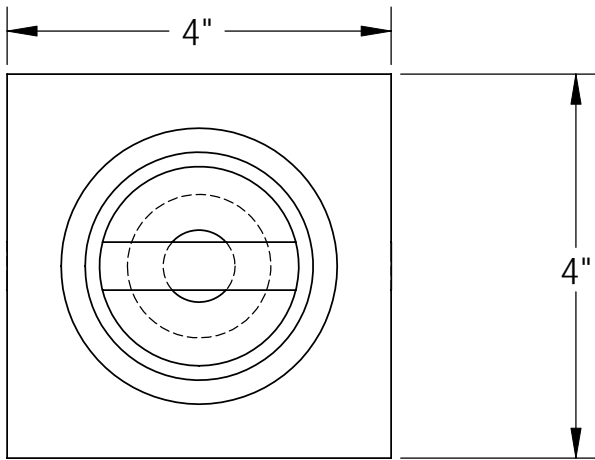


# STEELCRAFT PRODUCTS

P.O. Box 90365 - Pasadena, CA 91109  
PHN 626-798-7401 FAX 626-798-1482

MODEL  
SG-ANC  
SOCCER ANCHOR

DO NOT SCALE DRAWING

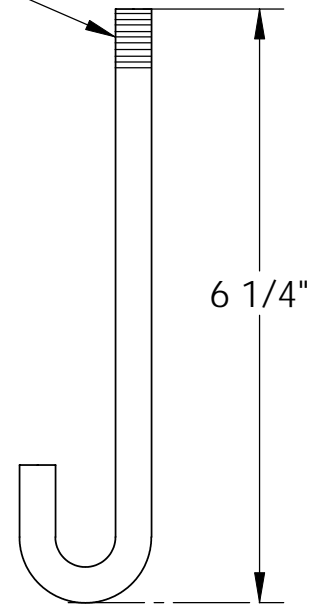


TOP VIEW

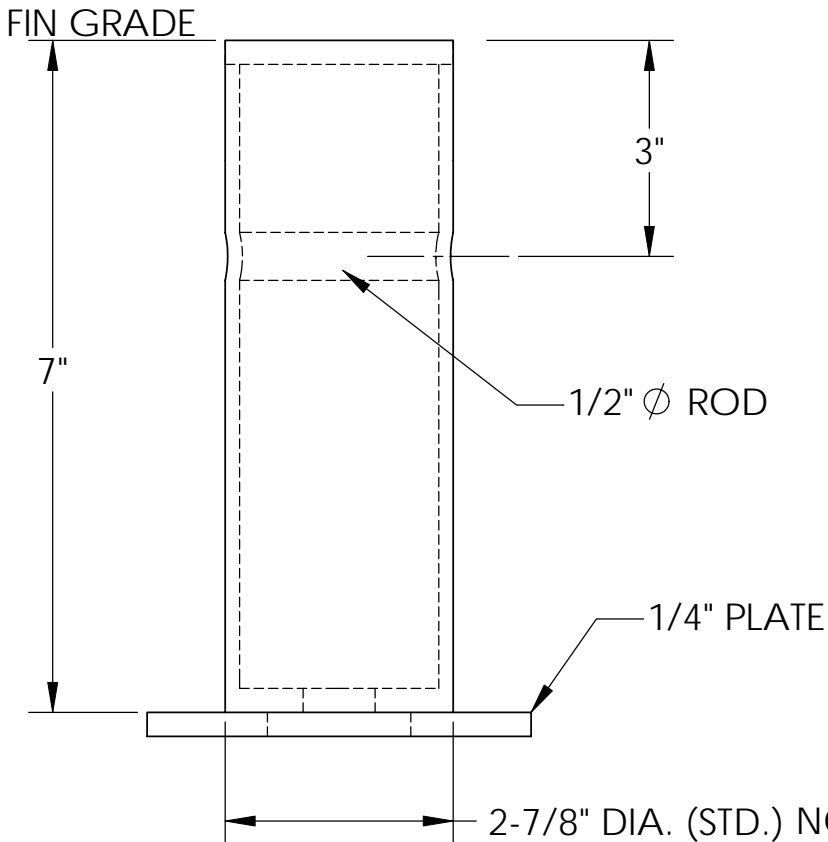
INSTALL SLEEVE IN  
12" DIA. X 14" DEEP  
CONCRETE FOOTING  
(SUPPLIED BY OTHERS)

NOTE: "E" SERIES LOCKING  
CAP WITH NEOPRENE  
COMPRESSION WASHERS  
INCLUDED (NOT SHOWN),  
USED FOR WHEN GOAL IS  
REMOVED FROM ANCHOR  
SYSTEM.

3/8" ROD  
w/ TOP  
THREADED



ANCHOR BOLT



ELEVATION VIEW

NOTE: CAN BE MADE TO FIT ANY SIZE  
PIPE, PLEASE SPECIFY SIZE OF  
PIPE WHEN ORDERING

NOTE: SPECIFICATIONS ARE SUBJECT TO CHANGE

DO NOT SCALE DRAWING

DATE: 1/25/08

DRAWN BY: AFS