

ROUND-UP BIKE RACK

MODEL LA-SC-2 BIKE RACK - 36" (25 lbs each)
(Ordered separately)

OPTIONAL POWDER COATING AVAILABLE
IN ANY OF OUR POWDER COAT COLORS

SPECIFICATIONS:

1. A heavy-duty, steel ring configurable in many patterns.
Sold individually.

MATERIAL: Formed from 2-3/8" O.D. steel tube

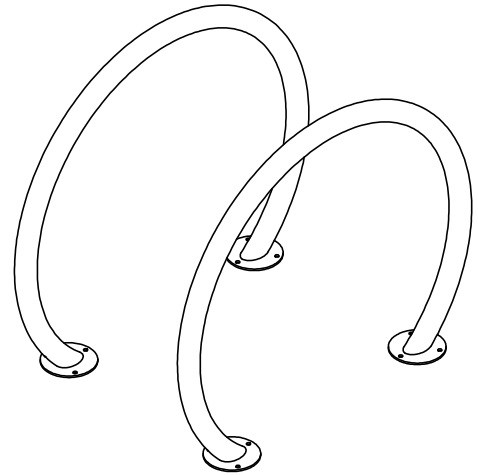
FINISH: Galvanized, stainless steel, or powder coated

WARRANTY PERIOD: 10 years

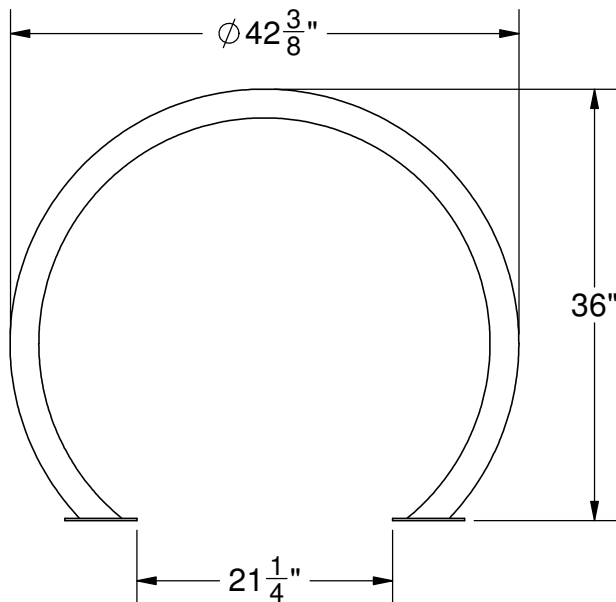
Mounting Options:

M1 (permanent mount)

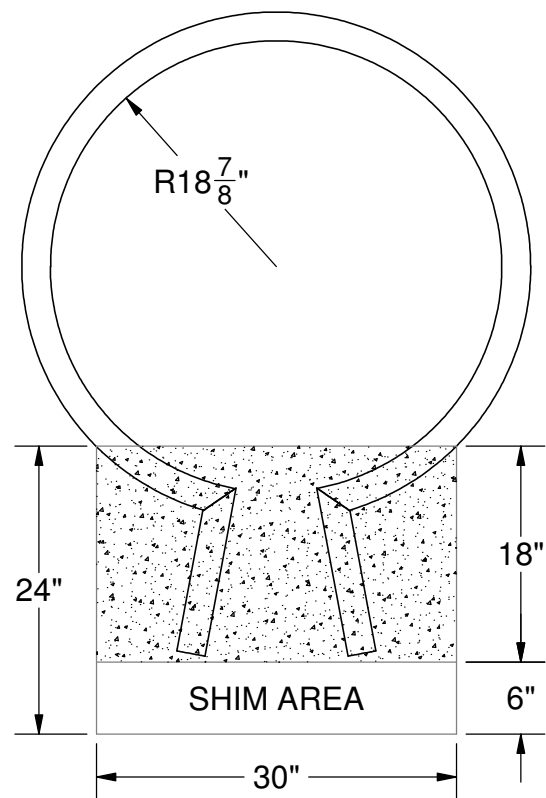
M3 (surface mount)




24" recommended
spacing between racks



M3 Mount



M1 Mount

 <p>Steelcraft ELEMENTS FOR LIFE OUTSIDE™</p> <p>www.LASTEELCRAFT.com 1-800-371-2438</p>	Date: 4/24/2013	SPECIFICATION / INSTALLATION INSTRUCTIONS
	Rev: SS82217	
	Drawn: AY	ROUND-UP BIKE RACK
	Sheet: 1 of 1	MODEL NO. LA-SC-2