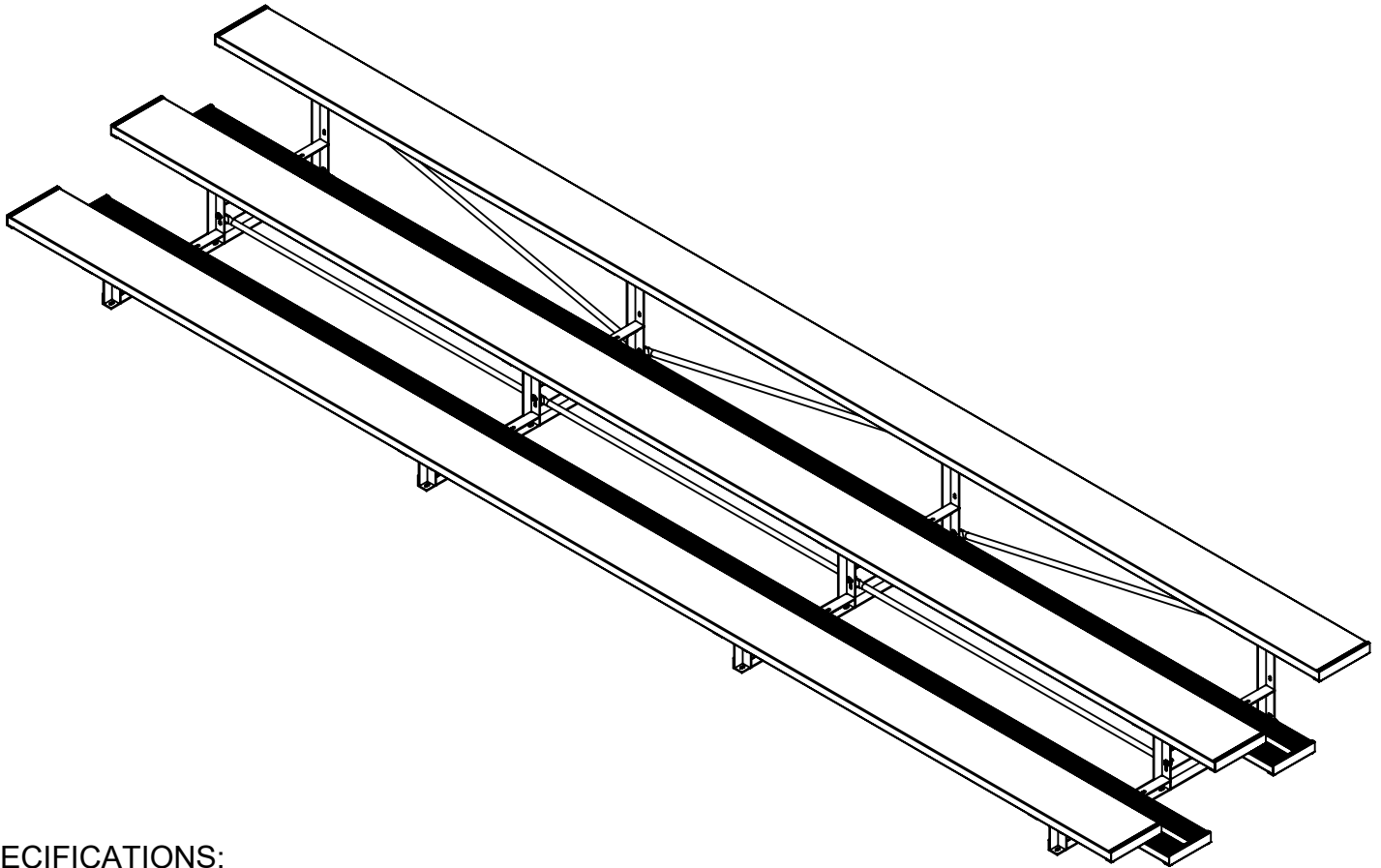


# DELUXE SERIES 3-ROW 21' BLEACHER

MODEL LA-PN203-21G 3-ROW 21' STEEL

MODEL LA-PN203-21 3-ROW 21' ALUMINUM

Deluxe Series designed for dependability and trouble-free maintenance. Featuring 6" rise from row to row with nominal 12" aluminum planks for seats and 10" for footboards. And optional 2" x 6" ground sills.



## SPECIFICATIONS:

Bleacher Frames are fabricated from 2" x 2" x 3/16" steel or aluminum angle. Frames are welded into a single unit. Frames may have optional 2" x 6" ground sills at every point where frames are in contact with the ground.

Deluxe Series Bleachers conform to the requirements of ICC 300-2012.

Seat and Foot Planks: Seats are nominal 2" x 12" x 21' extruded, ribbed aluminum and foot planks are nominal 2" x 10" x 21'. The edges and tops of planks shall be ribbed. The ribbed pattern, non-slip surface, is designed for safety and comfort. All exposed ends shall have aluminum caps fastened to the underside of the plank. Planks secure to each frame with two friction-type aluminum mounting clips capable of securing the plank against movement under a horizontal force of 400 lbs. All hardware is provided.

Finish: All fasteners shall be zinc plated.



Date: 4/21/2021

Rev: A

Drawn: JBN

Sheet: 1 of 10

PRODUCT NAME

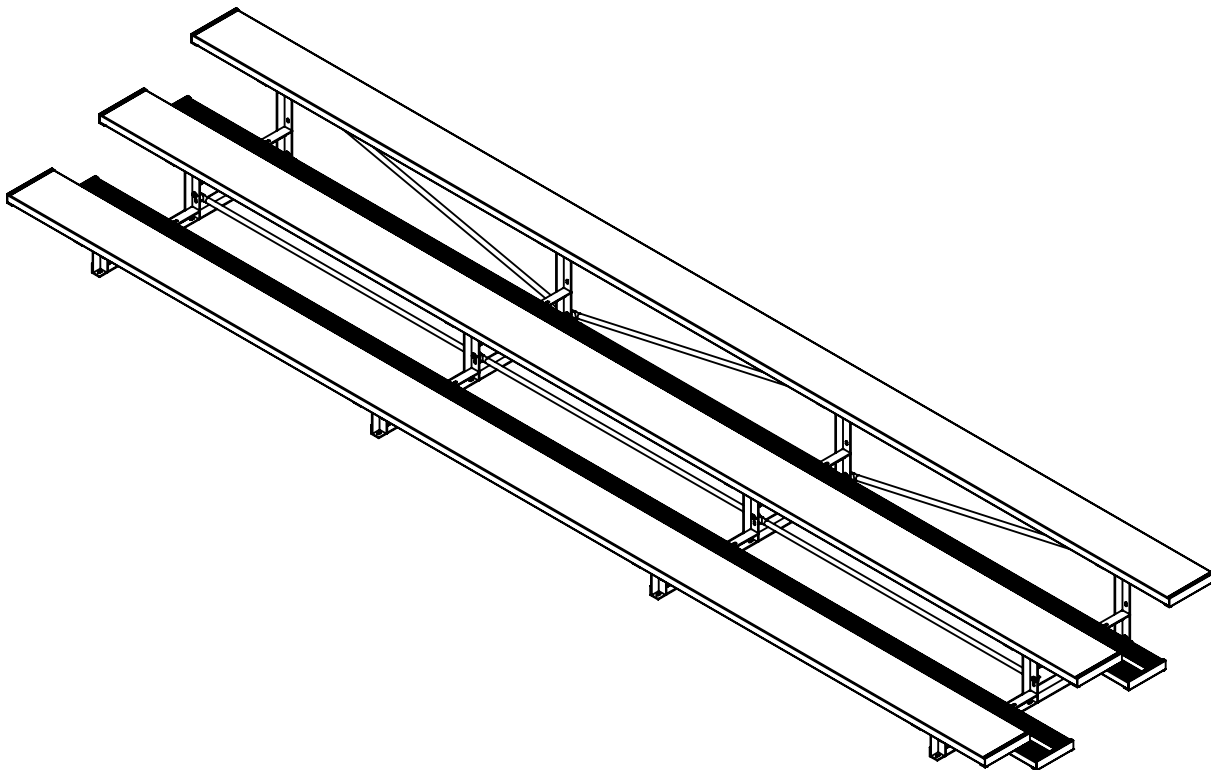
3 ROW DELUXE 21FT

MODEL NO.

LA-PN203-21

# BOM PARTS & FASTENERS

| ITEM NO. | PART NUMBER    | DESCRIPTION                                 | QTY. |
|----------|----------------|---|------|
| 1        | ROW3A or ROW3G | BLEACHER 3-ROW FRAME                        | 4    |
| 2        | CIBLB74.625    | BLEACHER BRACE 74-5/8" LONG                 | 6    |
| 3        | CIBLB76.375    | BLEACHER BRACE 76-3/8" LONG                 | 3    |
| 4        | RMPLK21-12     | ALUMINUM PLANK 12"x 252" ANODIZED           | 3    |
| 5        | RMPLK21-10     | ALUMINUM PLANK 10"x 252" ANODIZED           | 2    |
| 6        | VCIAECP212     | 2"x12" ALUM. END CAP                        | 6    |
| 7        | VCIAECP        | 2"x10" ALUM. END CAP                        | 4    |
| 8        | VCIACLP        | BOLT CLIP FOR 10" & 12" ALUMINUM PLANK      | 40   |
| 9        | BLSEATADPT     | DELUXE SEAT ADAPTER 2" x 11"                | 12   |
| 10       | HWCB516114     | 5/16-18 X 1-1/4 CARRIAGE BOLT GRADE 2 ZINC  | 40   |
| 11       | HWFLWA516      | 5/16 FLAT WASHER                            | 40   |
| 12       | HWLN516        | 5/16 NYLOK NUT ZINC                         | 40   |
| 13       | HWLN38         | 3/8 NYLOK NUT ZINC                          | 13   |
| 14       | HWFLWA38       | 3/8" Flat Washer                            | 26   |
| 15       | HWHB38112      | 3/8-16 X 1 1/2 GR5 C/S ZINC HEX BOLT (1000) | 13   |
| 16       | HWTEX1034      | #10 x 5/8 SELF TAPPING SCREW                | 20   |



Date: 4/21/2021

Rev: A

Drawn: JBN

Sheet: 2 of 10

PRODUCT NAME

**3 ROW DELUXE 21FT**

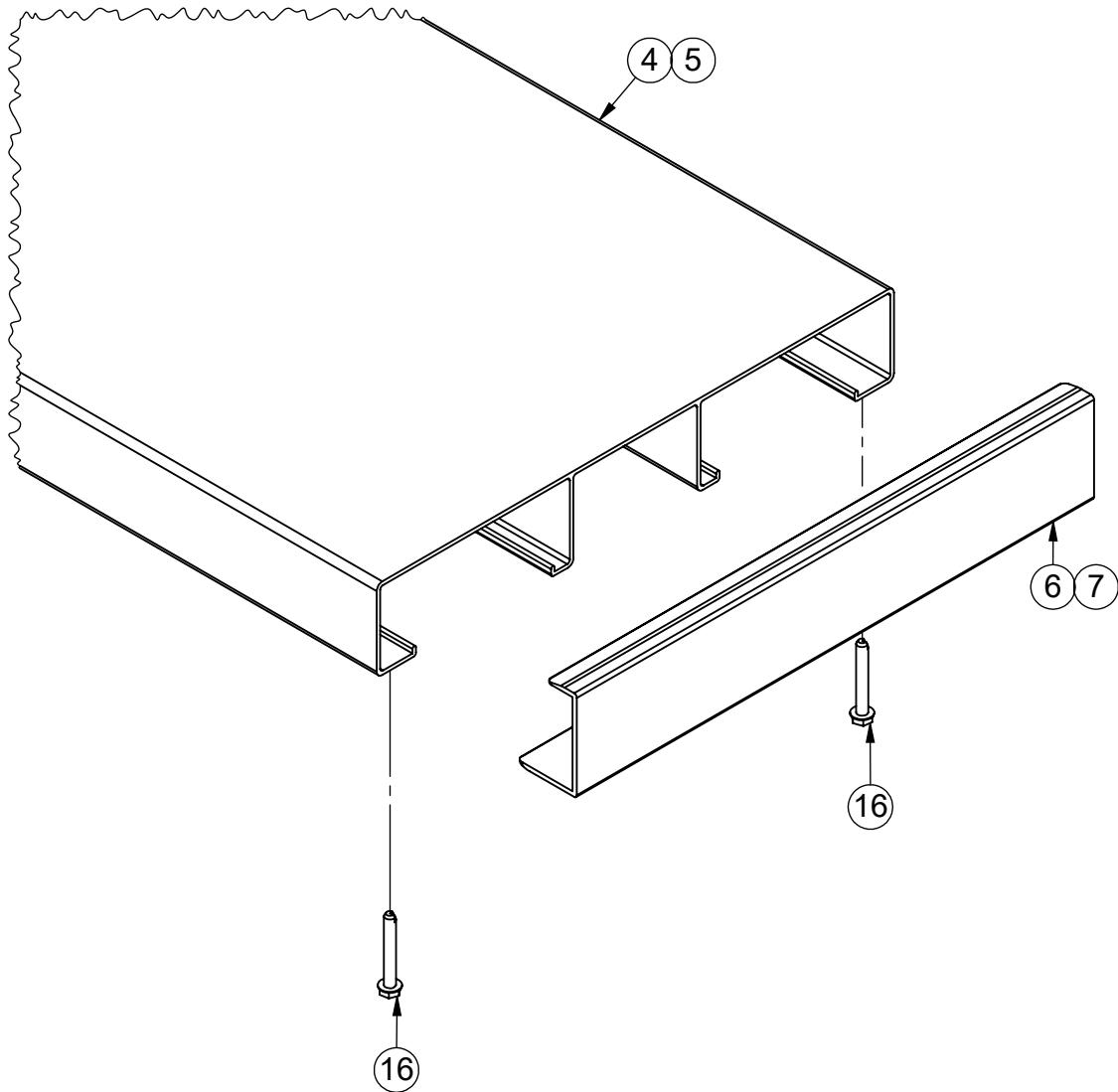
MODEL NO.

**LA-PN203-21**

# INSTALLATION INSTRUCTIONS:

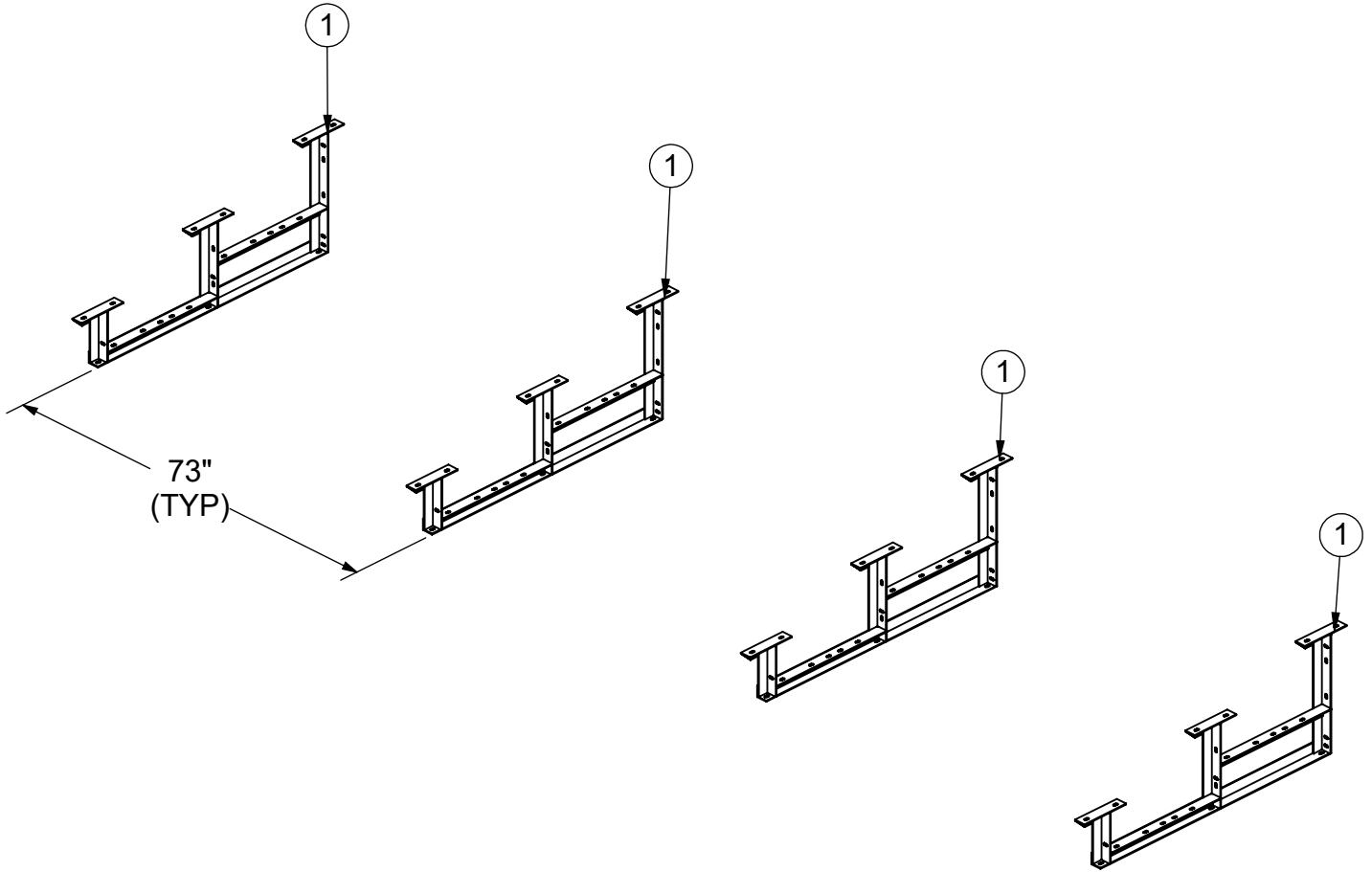
1) Check materials received with the BOM to make sure that all components are included and to assure that the unit is complete.

2) Installing End Caps Item on Seat and Foot Planks: 2" x 12" & 2" x 10" end caps Item (6) (7) . Align and assemble all end caps to aluminum planks. Secure using #10 x 3/4" Item (16) self-tapping screw in two locations on the underside of the clip/plank.



# INSTALLATION INSTRUCTIONS:

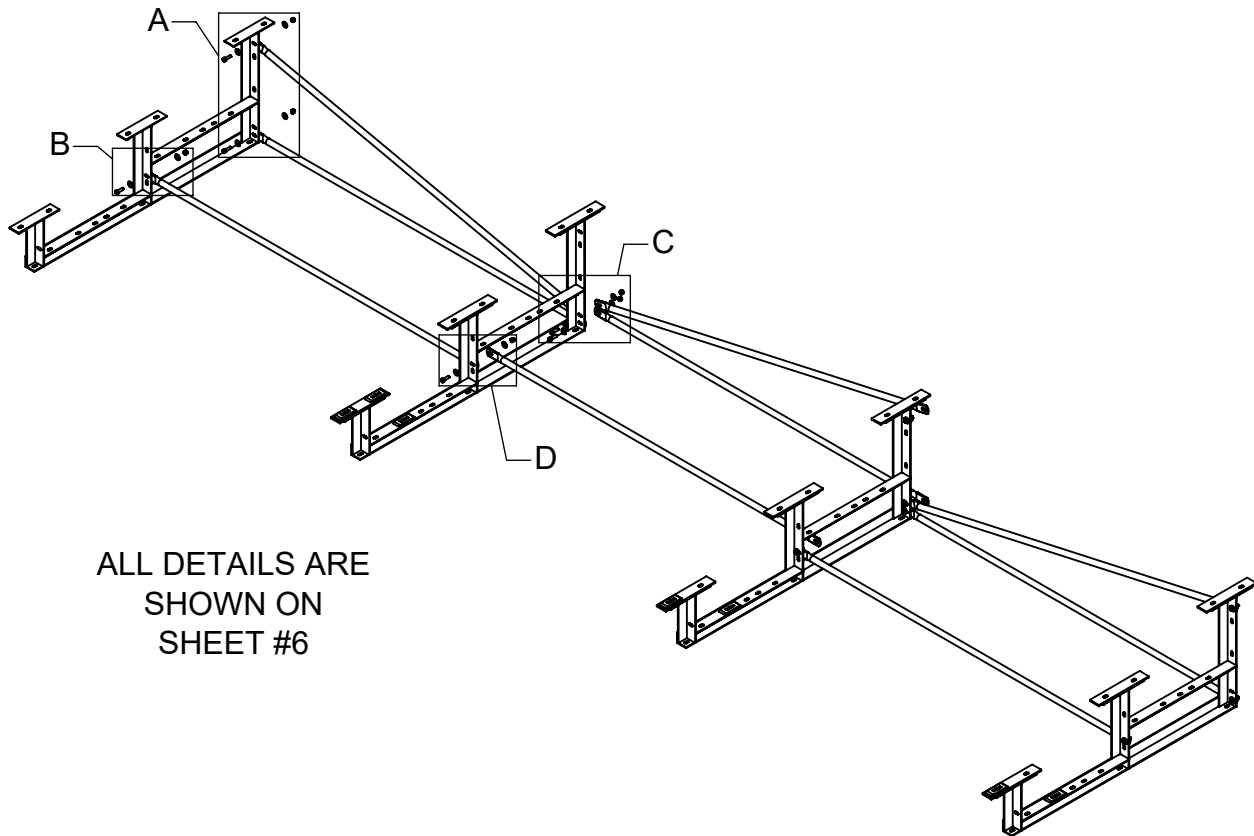
3) Locate the four Bleacher 3-Row Standard Frame Item ① and set on a level surface on 73" centers.



## INSTALLATION INSTRUCTIONS:

4) To Install Cross Braces: a) Locate three sets of braces measuring 76-3/8" and 74-5/8" Item (3) (2) . Install on the backside of the Bleacher Frames using 3/8" x 1-1/2" Hex Bolt Item (15) , Washers Item (14) , and Lock Nut Item (13) provided using the top and bottom slots in the frame and center of Braces as shown. Repeat steps to assemble remaining sets of cross braces to the other bleacher frames. At all installation points, install washers and nuts but leave hardware loose until assembly is complete for easy installation.

NOTE: Two washers are provided to use at every hex bolt location.



ALL DETAILS ARE  
SHOWN ON  
SHEET #6



Date: 4/21/2021

Rev: A

Drawn: JBN

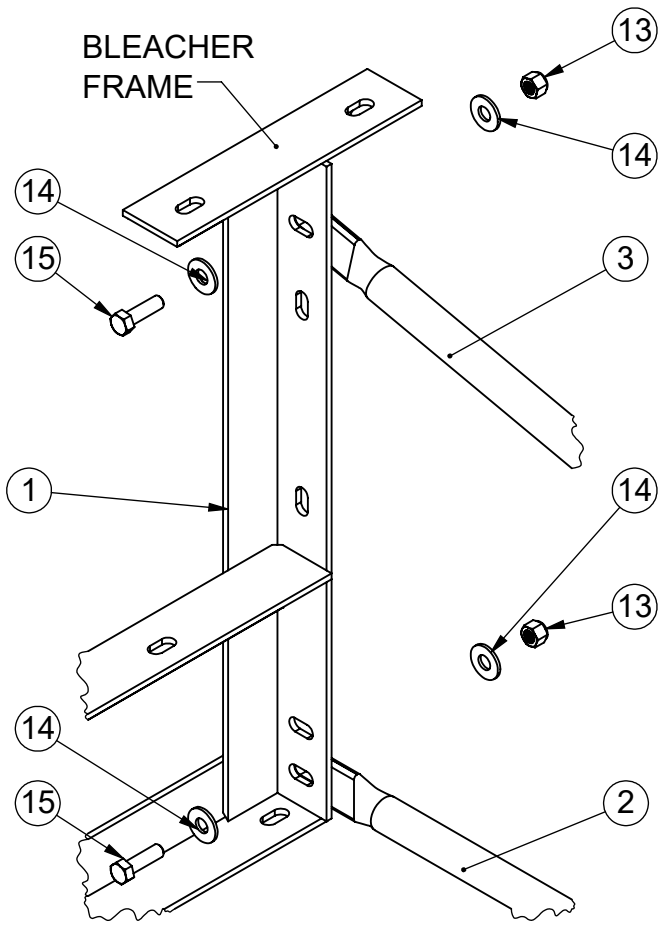
Sheet: 5 of 10

PRODUCT NAME

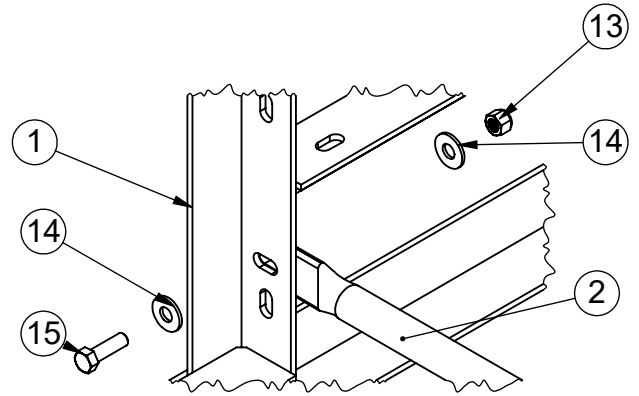
3 ROW DELUXE 21FT

MODEL NO.

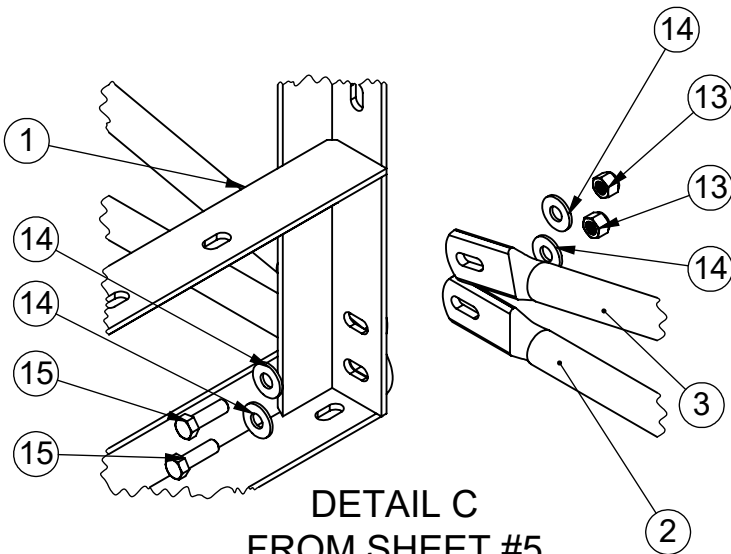
LA-PN203-21



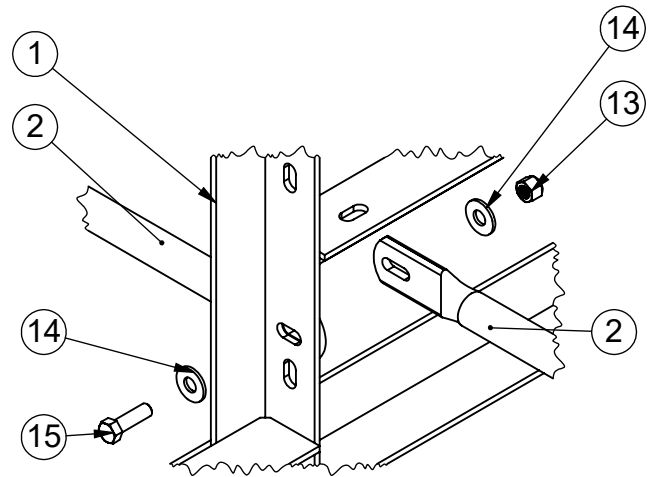
DETAIL A  
FROM SHEET #5  
SCALE 1 : 5



DETAIL B  
FROM SHEET #5  
SCALE 1 : 5



DETAIL C  
FROM SHEET #5  
SCALE 1 : 5



DETAIL D  
FROM SHEET #5  
SCALE 1 : 5



Date: 4/21/2021  
Rev: A  
Drawn: JBN  
Sheet: 6 of 10

PRODUCT NAME

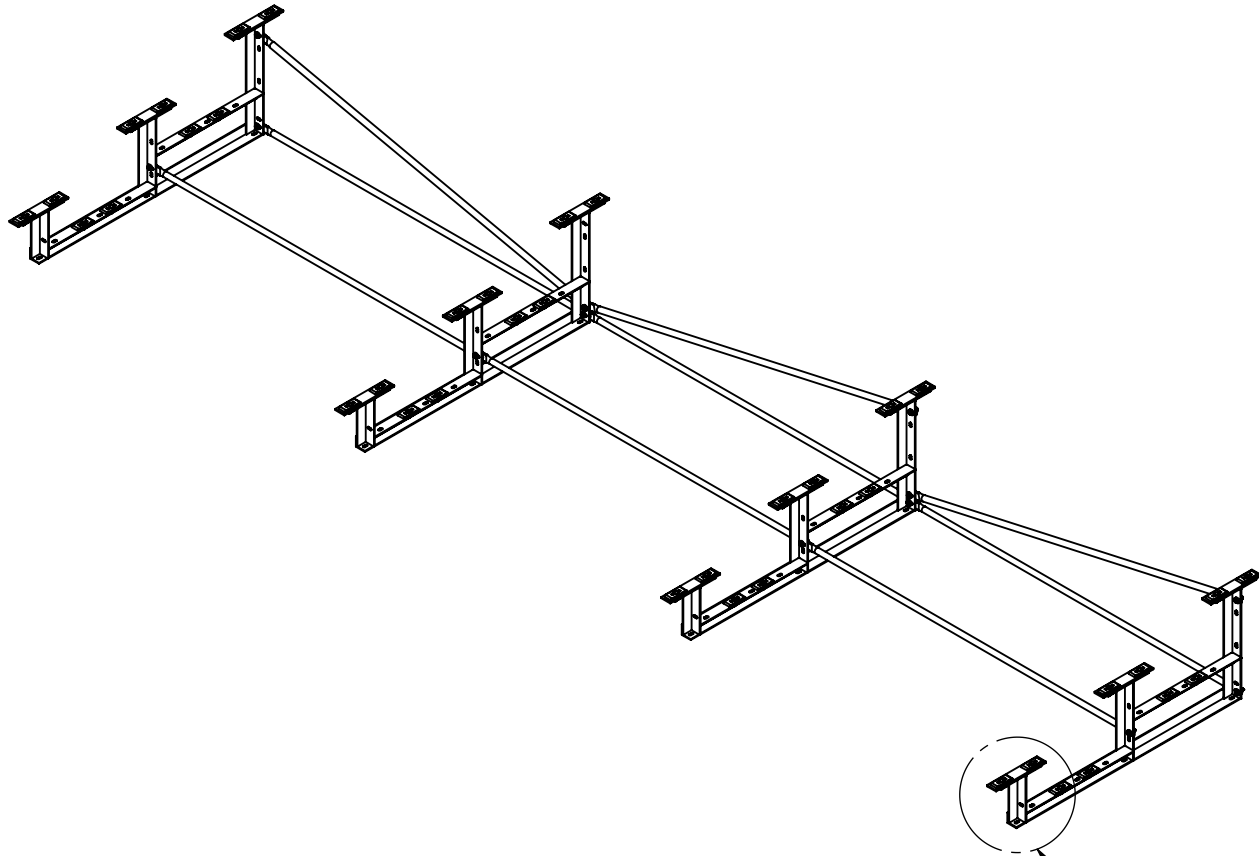
3 ROW DELUXE 21FT

MODEL NO.

LA-PN203-21

## INSTALLATION INSTRUCTIONS:

5) To Install Seat and Foot Planks: a) First place deluxe seat adapter (9) on all seat uprights then install the Bolt Clip For 10" & 12" Aluminum Plank Item (8) using 5/16" x 1-1/4" carriage bolts Item (10), washer Item (11), and lock nuts (12) on top of the seat and foot board supports. Give nuts about 3/4 turn (just enough to secure). Turn Bolt Clips Item (8) perpendicular to the frames.



DETAIL-X

SHOWN ON  
SHEET #8



www.LASTEELCRAFT.com  
1-800-371-2438

Date: 4/21/2021

Rev: A

Drawn: JBN

Sheet: 7 of 10

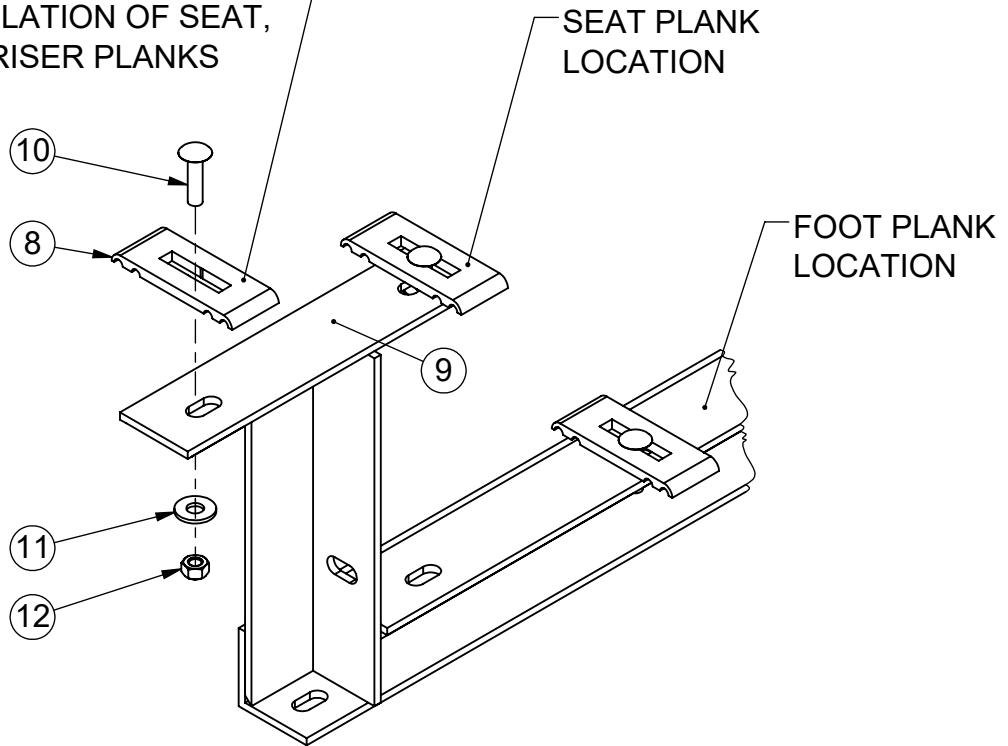
PRODUCT NAME

3 ROW DELUXE 21FT

MODEL NO.

LA-PN203-21

CLIPS ITEM ⑧ TURNED  
90° TO BLEACHER FRAME  
FOR INSTALLATION OF SEAT,  
FOOT AND RISER PLANKS

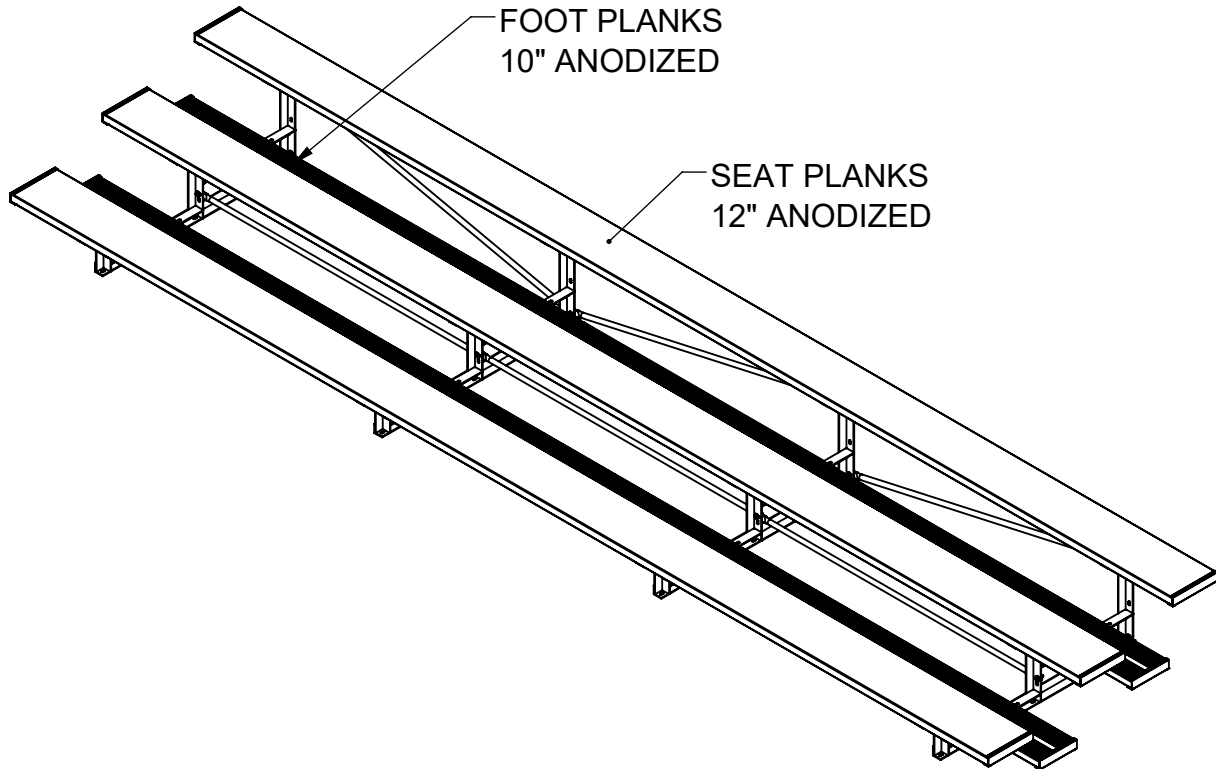


**DETAIL-X**  
FROM SHEET #7



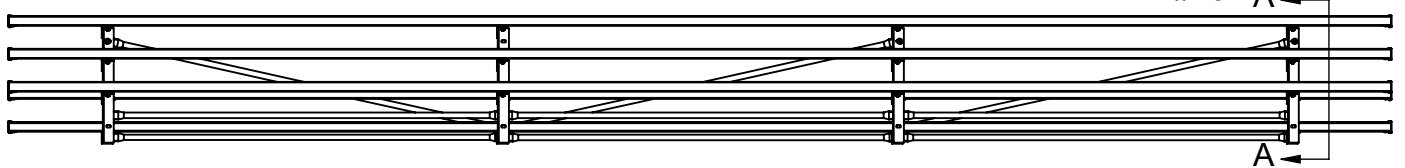
# INSTALLATION INSTRUCTIONS:

6) Position seat Planks, Foot Planks and Riser Planks on the supports so the Bolt Clips Item (8) are between the slots in the bottom of Planks. Reach up underneath the Seat Plank and Foot Plank to rotate the Bolt Clips Item (8) to 90° so they engage the planks. To Secure Planks to Frames center the planks on the frames Item (1) . Tighten all hardware on frames and planks securely.



## SECTION A-A

SHOWN ON  
SHEET #10



## FRONT VIEW



Date: 4/21/2021

Rev: A

Drawn: JBN

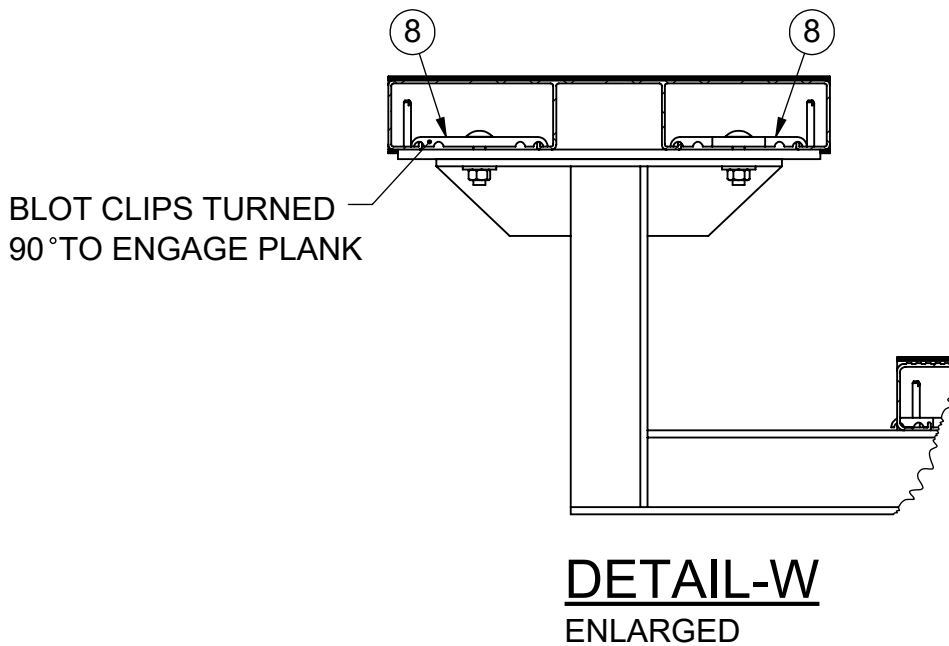
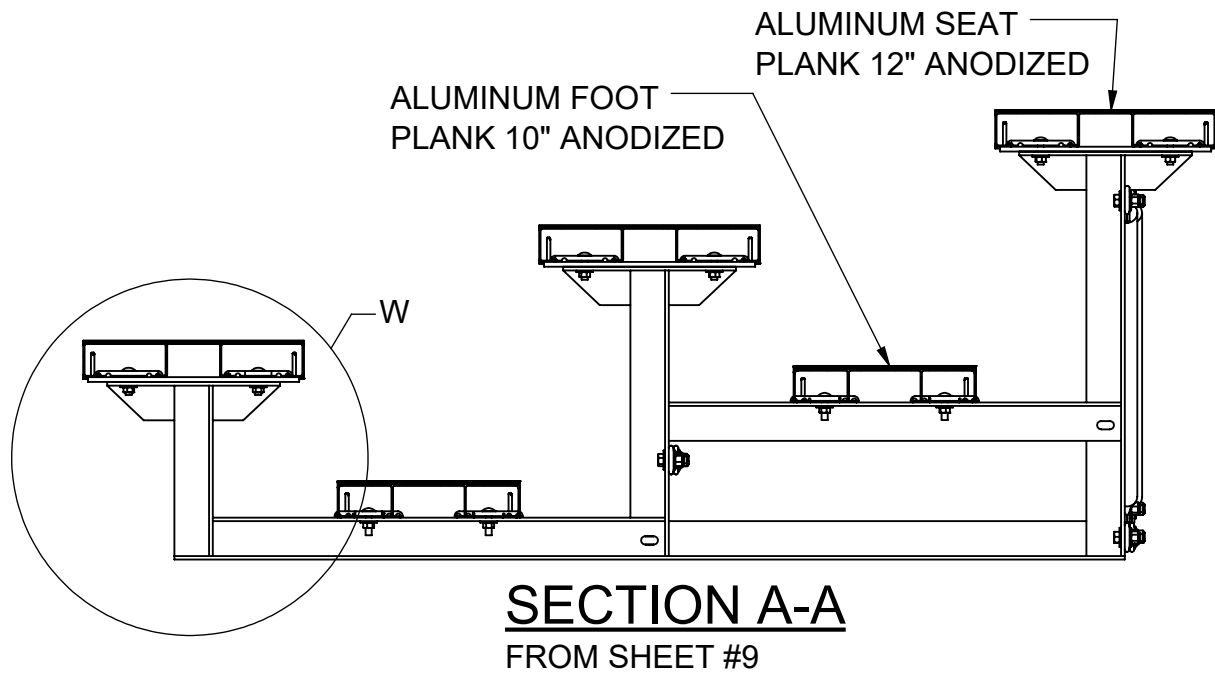
Sheet: 9 of 10

PRODUCT NAME

3 ROW DELUXE 21FT

MODEL NO.

LA-PN203-21



## INSTALLATION INSTRUCTIONS:

7) Installing (Optional) Ground Sills (wood measuring 2" x 6" x 72"): a) Center one ground sill under each bleacher frame so the ends are evenly spaced and are centered from side to side. Mark the (4) hole locations in each bleacher frame on each of the ground sills and drill 1/4" x 1" deep pilot holes. DO NOT drill completely through the ground sills. b) Attach the ground sills to the bottom of the bleacher frames with 5/16" x 1-1/4" lag bolts and flat washers provided.



Date: 4/21/2021

Rev: A

Drawn: JBN

Sheet: 10 of 10

PRODUCT NAME

**3 ROW DELUXE 21FT**

MODEL NO.

**LA-PN203-21**