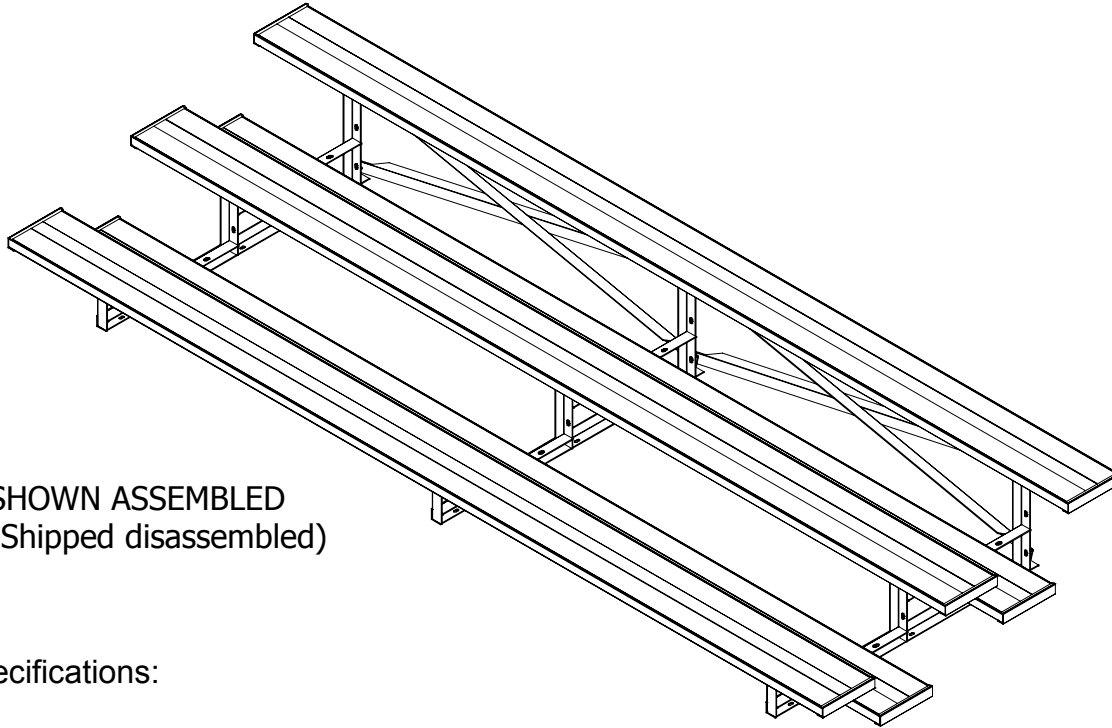


DELUXE SERIES 3-ROW 15' BLEACHER

MODEL LA-PN203-15 3-ROW 15' ALUMINUM W/O GUARDRAILS (240 LBS)

Deluxe Series designed for dependability and trouble-free maintenance. Featuring 6" Rise from row to row with nominal 12" aluminum planks and optional 2" x 6" ground sills.



SHOWN ASSEMBLED
(Shipped disassembled)


Specifications:

Bleacher Frames, Horizontal and diagonal Bracing:
Fabricated from 2" x 2" x 3/16" steel or aluminum angle. Frames are welded into a single unit. (Frames may have optional 2" x 6" ground sills at every point where frames are in contact with the ground.)

Deluxe Series bleachers conform to the requirements of ICC 300-2012.

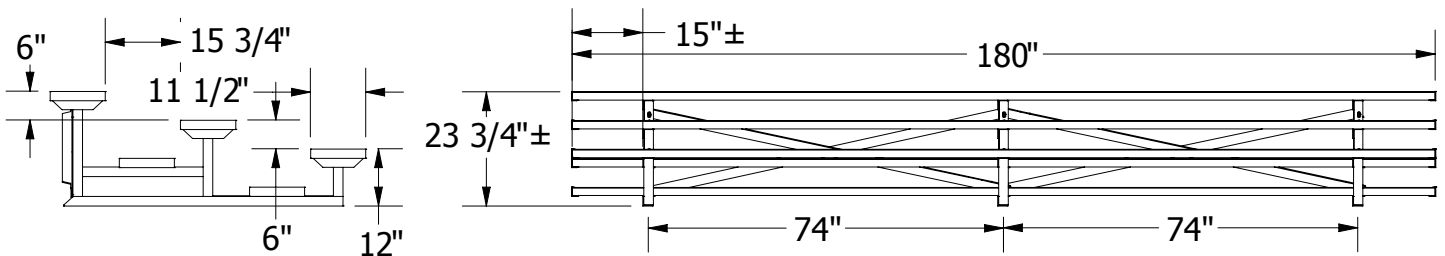
Seat and Foot Planks: Nominal 2" x 12" x 15' extruded ribbed aluminum. The tops of planks shall be ribbed. The ribbed pattern, non-slip surface, is designed for safety and comfort. All exposed ends shall have aluminum caps fastened to the underside of the plank. Planks secure to each frame with two friction-type aluminum mounting clips capable of securing plank against movement under a horizontal force of 400 lbs. (all hardware is provided.)

Finish: All fasteners shall be zinc plated.

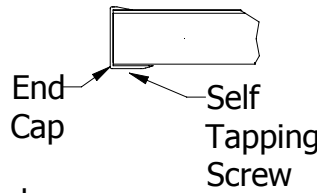
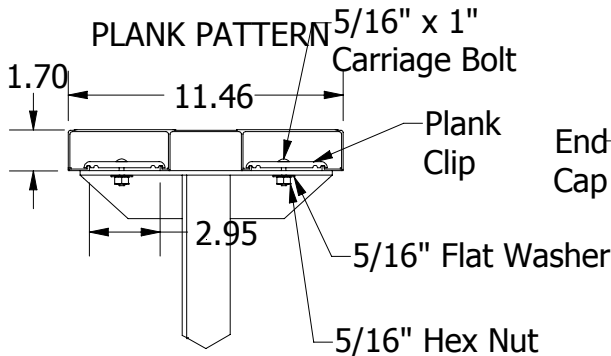
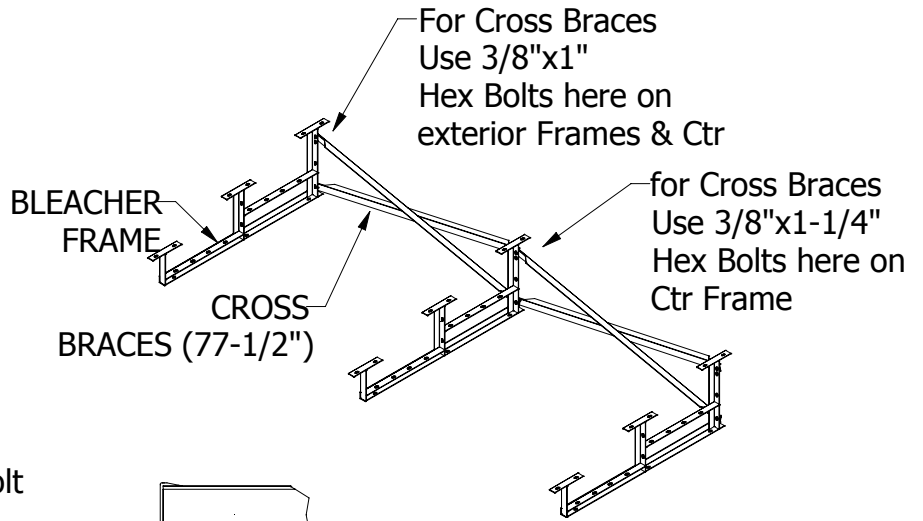
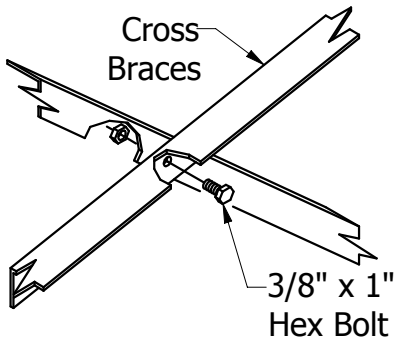
 <p>www.LASTEELCRAFT.com 1-800-371-2438</p>	Date: 03-05-10	SPECIFICATION/INSTALLATION INSTRUCTIONS
	Rev: SS82117	
	Drawn: AMC	MODEL NO.
	Sheet: 1 of 3	1183-315

INSTALLATION INSTRUCTIONS:

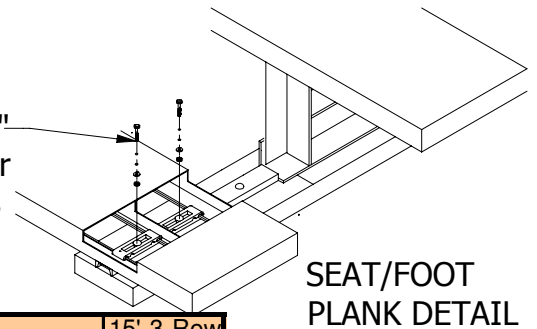
1. Check materials received with the parts list (Page 3) to make sure that all components are included and to assure that the unit is complete.
 2. Installing End Caps on seat and foot planks: a. Locate (5) 2" x 12" x 15' seat and foot planks and (10) 2" x 12" end caps. b. Align and assemble all end caps to aluminum planks. Secure using a #10 x 3/4" self-tapping screw in two locations on the underside of the clip/plank. See End Cap Detail.
 3. Locate three bleacher frames and set on a level surface on 74" centers. See Detail below.
 4. To Install Cross Braces: a. Locate two sets of diagonal braces measuring 2" x 2" x 77-1/2". See Frame Detail. Install on the backside of the 3rd seat upright, using the top and bottom holes in the frame. Repeat steps to assemble second and third sets of cross braces to the other bleacher frames. b. On the center bleacher frame at the top and bottom brace attachment locations where two diagonal braces attach at the same installation point, secure braces using 3/8" x 1-1/4" hex bolt, washers and lock nut provided. See Detail. c. At the center point of the cross braces secure brace connection using 3/8" x 1" hex bolt, washer and locknut provided. See Detail. d. At all installation points install washers and nuts but leave hardware loose until assembly is complete for easy installation. Note: Two washers are provided to use at every hex bolt location. See Detail.
 5. To install seat planks: a. First install the plank clips using 5/16" x 1" carriage bolts, washer and lock nuts, on top of seat and foot board supports. Give nuts about 3/4 turn (just enough to secure). Turn plank clips perpendicular to the frames. See Detail. b. Position seat planks on the seat supports so the plank clips are between the slots in the bottom of planks. See Detail. c. Reach up underneath the seat & foot planks and turn the plank clips to the position shown. See Typical Cross Section Detail.
 6. To install foot planks: a. Follow the steps as outlined in step 5 for installation of foot planks.
 7. To Secure Planks to Frames: a. Align the end of the planks on rows 1-3 so they are approximately 15" from outside edge of plank to center of each frame. Tighten all hardware on frames & planks securely.
 8. Cut and peen all exposed bolt threads past 2 threads out of nut.
- Note: To insure proper installation, bolts used to secure seat, foot and riser planks must be tightened until the clips are firmly in contact with the plank. See Typical Cross Section.
9. Installing (Optional) Ground sills (wood measuring 2" x 6" x 4'-6"): a. Center one ground sill under each bleacher frame so the ends are evenly spaced and are centered from side to side. Mark the (2) hole locations in each bleacher frame on each of the ground sills and drill 1/4" x 1" deep pilot holes. Do Not drill completely through the ground sills. b. Attach the ground sills to the bottom of the bleacher frames with 5/16" x 1-1/4" lag bolts and flat washers provided.



	Date: 03-05-10	SPECIFICATION/INSTALLATION INSTRUCTIONS DELUXE SERIES 3-ROW 15' BLEACHER
	Rev: SS82117	
	Drawn: AMC	MODEL NO.
	Sheet: 2 of 3	1183-315



5/16" x 1" Carriage Bolts for Seat/Foot Planks



DELUXE 3 ROW BLEACHER		15' 3-Row 3-Frames
DELUXE 3 ROW BLEACHER	PACKING SLIP	
	QTY	
	Aluminum Plank Anodized	3
	Aluminum Plank Mill Finish	2
	3 Row Bleacher Frames	3
	Diagonal Frame Brace 77'-1/2"	4
Optional Ground Sills (54")	3	
HARDWARE	DESCRIPTION	QTY
3/8" x 1" Hex Bolt	Cross Brace Ctr & on Exterior Frames	6
3/8" x 1-1/4" Hex Bolt	Cross Braces on Ctr/Interior Frames	2
3/8" Lock Nut- Nylock		8
3/8" Flat Washers		16
5/16" x 1" Carriage Bolt	Seat & Foot Planks to Bleacher Frames	30
5/16" Lock Nut - Nylock		30
5/16" Flat Washers		30
#10 x 3/4" Self Tapping Screw	End Cap Mounting	20
2" x 12" End Caps	End Caps on Alum. Planks	10
Alum. Plank Clips	Mounting Plank Clips	30
Optional Ground Sills		
5/16" x 1-1/4" Lag Screws	Ground Sills to Bleacher Frames	9
5/16" Flat Washers		9



Date: 03-05-10
Rev: SS82117
Drawn: AMC
Sheet: 3 of 3

SPECIFICATION/INSTALLATION INSTRUCTIONS

DELUXE SERIES 3-ROW 15' BLEACHER

MODEL NO.

1183-315

Pick Ticket

Internal use only return to office with packet

Shipping to pull Frames, Plank, and Hardware Below nothing required from Fabrication.

DELUXE 3 ROW BLEACHER		15' 3-Row	
		3-Frames	
DELUXE 3 ROW BLEACHER	PACKING SLIP	QTY	
		Aluminum Plank Anodized	3
		Aluminum Plank Mill Finish	2
		3 Row Bleacher Frames	3
		Diagonal Frame Brace 77-1/2"	4
		Optional Ground Sills (54")	3
HARDWARE	DESCRIPTION	QTY	
3/8" x 1" Hex Bolt	Cross Brace Ctr & on Exterior Frames	6	
3/8" x 1-1/4" Hex Bolt	Cross Braces on Ctr/Interior Frames	2	
3/8" Lock Nut- Nylock		8	
3/8" Flat Washers		16	
5/16" x 1" Carriage Bolt	Seat & Foot Planks to Bleacher Frames	30	
5/16" Lock Nut - Nylock		30	
5/16" Flat Washers		30	
#10 x 3/4" Self Tapping Screw	End Cap Mounting	20	
2" x 12" End Caps	End Caps on Alum. Planks	10	
Alum. Plank Clips	Mounting Plank Clips	30	
Optional Ground Sills			
5/16" x 1-1/4" Lag Screws	Ground Sills to Bleacher Frames	9	
5/16" Flat Washers		9	

If Shipping is running low on braces or frames please inform office as soon as possible.