

PLAYERS BENCH W/ BACK

MODEL #LA-PBA-8P - 2" x 10" - 8ft. BENCH W/ BACK (70 lbs)

MODEL #LA-PBA-15P - 2" x 10" - 15ft. BENCH W/ BACK (112 lbs)

SPECIFICATIONS:

SEAT AND BACK FRAME: 2-3/8" O.D. galvanized steel. Each frame is all welded construction.

SEAT AND BACKREST: Anodized aluminum planking. Available 8' & 15' lengths.

FINISH: All welds are ground smooth. All hardware is zinc-coated for long, rust-resistant service.

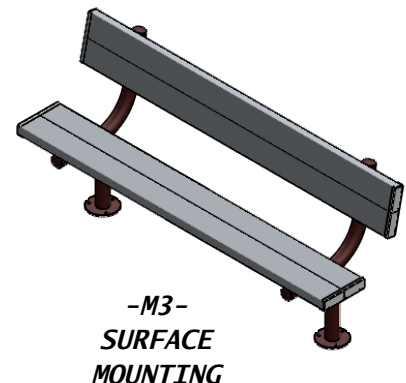
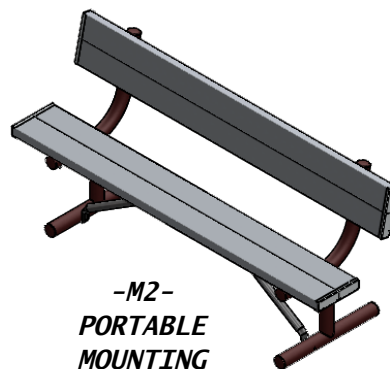
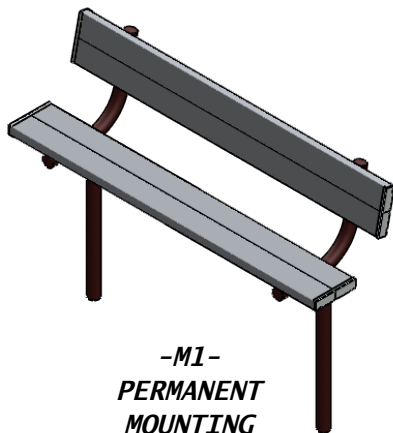
INSTALLATION INSTRUCTIONS:

Determine the model of bench to be installed. The 8' bench require 2 seat supports each, the 15' bench requires 3 seat supports.

Note: Permanent Players Benches require a concrete footing for permanent installation.

ALUMINUM PLANK:

1. Use (Detail A Pg.3) to determine the distance between seat supports. (See page 1 for mounting options).
2. Assemble & align end caps on aluminum planks. Use self-tapping screws to secure end caps.
3. First install plank clips to each of the seat supports using 5/16" x 3-1/2" carriage bolts through the top of the clip through the mounting hole(s) in seat support. Secure w/ washer & 5/16" lock nut. Do not tighten nut at this time, just install until finger tight only. Turn the plank clips perpendicular to the frame arm.
4. Attach seat plank by placing the plank over the plank clips on the frames. Turn each plank clip 90° to capture the edges of the plank channels & tighten lock nuts slightly so the plank clip does not disengage but plank can still be moved through the clip. Position the end of the plank 9" from center of bolt hole. Align front edge of the plank to extend 1/2" beyond the front end of the frame.
5. Following the same steps above, install the back plank to the back of the bench frame as required.



Date: 6/15/15

Rev: DH5/4/20

Drawn: MT

Sheet: 1 of 5

PRODUCTION SHOP DRAWING

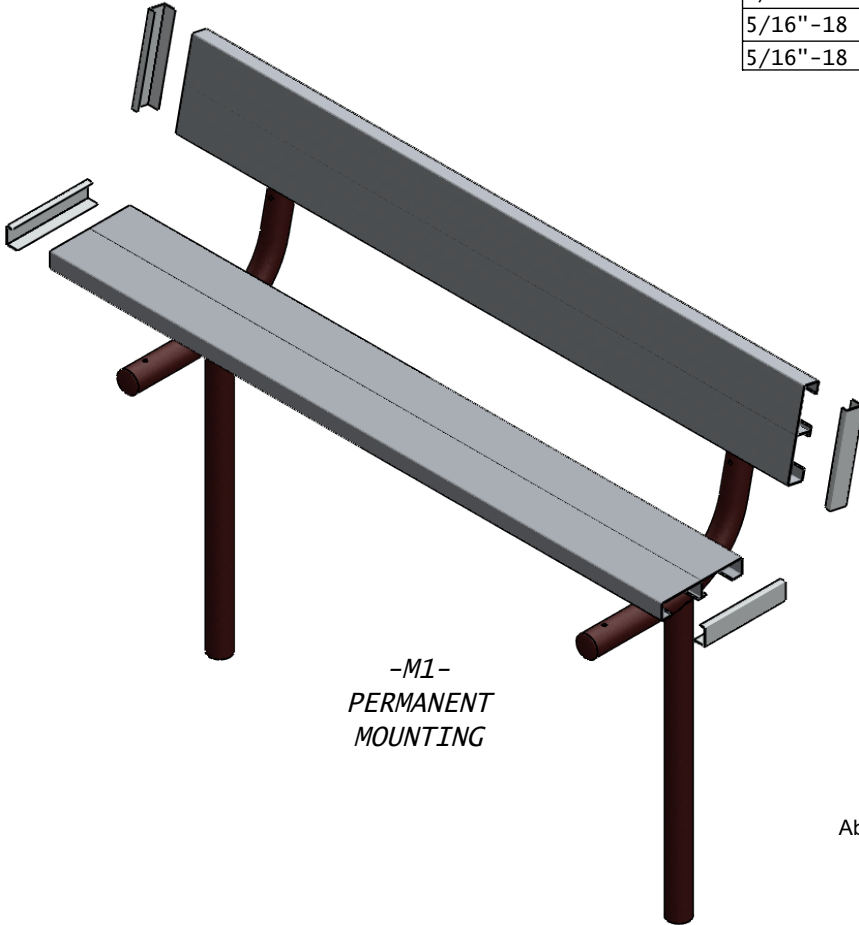
ALUMINUM PLAYERS BENCH WITH BACK

MODEL NO.

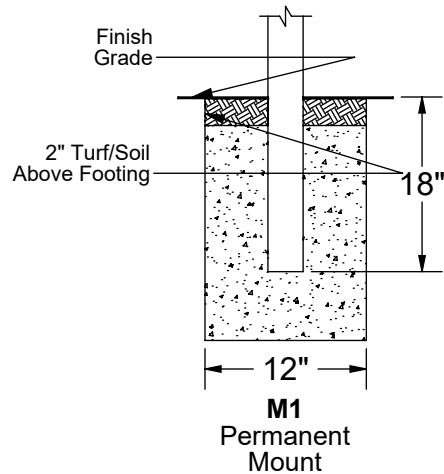
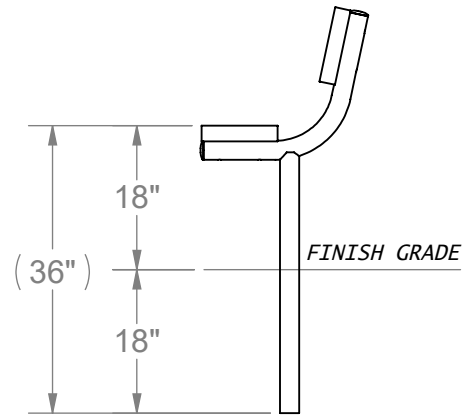
LA-PBA-8P, LA-PBA-15P

M1 - IN-GROUND MOUNT

M1 & SURFACE MOUNT	LA-PBA-8P	LA-PBA-15P
Component Description	Qty.	Qty.
Aluminum Plank Anodized	2-8'	2-15'
Bench Frame Assembly	2	3
Aluminum Plank Cap	4	4
Aluminum Plank Clip	8	12
#10 x 3/4" Tek Drive Screw	8	8
5/16"-18 x 3-1/2" Carriage Bolt	8	12
5/16"-18 Lock Nut - Nylock	8	12
5/16"-18 Washer	8	12



-M1-
PERMANENT
MOUNTING



For M1 option Models.

(An 18"DIA. by 18" deep footing as a minimum recommended. Please check with your local building authority before pouring concrete.)

9. Lower the leg supports of the assembled bench into the center of the holes & shim from below or fill such that the top of the seat plank is 18" above finish grade. Plumb the post to true vertical & brace. Pour concrete to within 2" of finish grade. Allow concrete to set for 3 days before removal of bracing and completion of installation. Grout the footing up to the finish grade & crown slightly, this allows water to drain away from the post.



Date: 6/15/15
 Rev: DH5/4/20
 Drawn: MT
 Sheet: 2 of 5

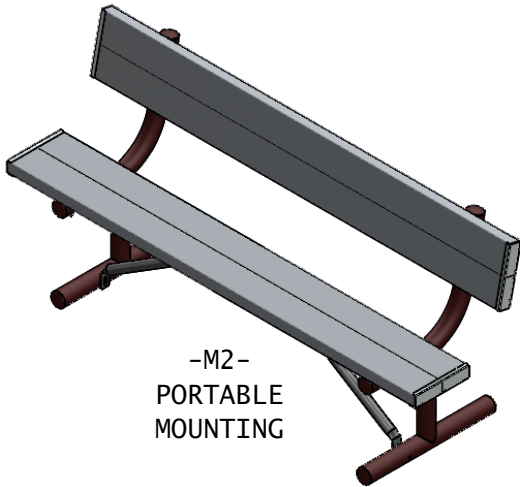
PRODUCTION SHOP DRAWING

ALUMINUM PLAYERS BENCH WITH BACK

MODEL NO.

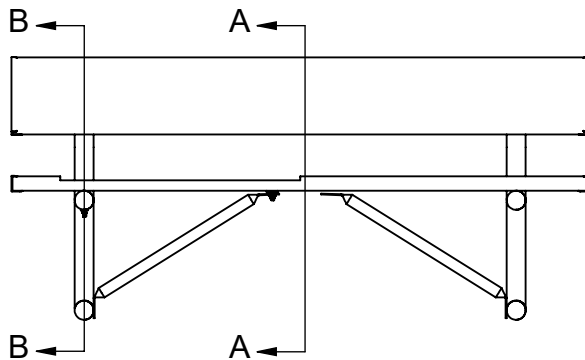
LA-PBA-8P, LA-PBA-15P

M2 - PORTABLE MOUNTING

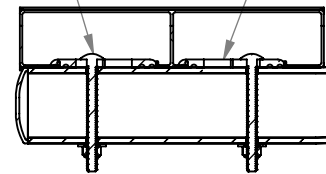


-M2-
PORTABLE
MOUNTING

FOR PORTABLE MOUNT	LA-PBA-8P	LA-PBA-15P
Component Description	QTY	QTY
Bench Frame Assembly	2	3
28" Brace Pipe	2	4
Aluminum Plank Cap	4	4
Aluminum Plank Clip	12	20
#10 x 3/4" Tek Drive Screw	8	8
5/16"-18 x 3-1/2" Carriage Bolt	8	12
5/16"-18 x 1-1/4" Carriage Bolt	2	4
5/16"-18 Lock Nut - Nylock	10	16
5/16"-18 Washer	10	16
3/8"-18 x 3-1/2" Carriage Bolts	n/a	1
3/8"-18 x 3 Hex Bolt	2	2
3/8" Lock Nut - Nylock	2	3
3/8" Washers	2	5

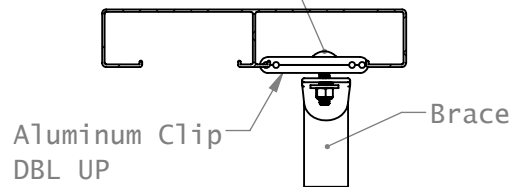


5/16" x 3-1/2" Carriage Bolt
Washer & Nylock Nut



SECTION B-B

5/16" x 1-1/4" Carriage Bolt
Washer & Nylock Nut



SECTION A-A

For M2 option Models:

6. Attach a brace pipe to a bench frame at the bottom w/ a 3/8" x 3" hex bolt & nut. Repeat for other bench frame.

- Note: On the 15' use a 3/8" x 3-1/2" carriage bolt on the middle bench frame to attach 2 braces.

7. Attach the other end of the brace pipe to the bottom of the aluminum plank w/ a plank clip, & 5/16" x 1-1/4" carriage bolt & nut. Repeat for other bench frame. Note: On the 15', use four clips & plates

8. Square plank to frame & tighten all hardware securely so the plank clips are firmly in contact w/ the mounting surface.



Date: 6/15/15
Rev: DH5/4/20
Drawn: MT
Sheet: 3 of 5

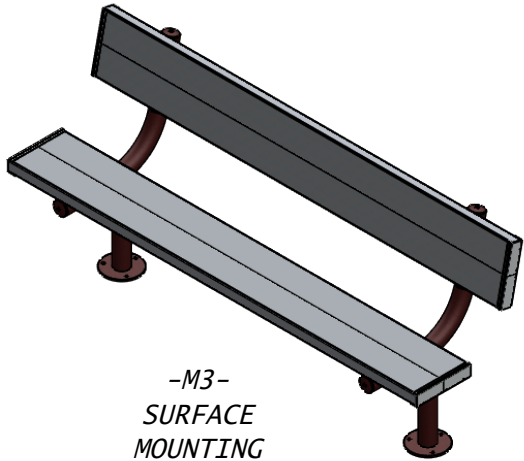
PRODUCTION SHOP DRAWING

ALUMINUM PLAYERS BENCH WITH BACK

MODEL NO.

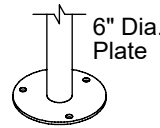
LA-PBA-8P, LA-PBA-15P

M3 - SURFACE MOUNTING



-M3-
SURFACE
MOUNTING

M3 SURFACE MOUNT	LA-PBA-8P	LA-PBA-15P
Component Description	Qty.	Qty.
Aluminum Plank Anodized	2-6' or 8'	2-15'
Bench Frame Assembly	2	3
Aluminum Plank Cap	4	4
#10 x 3/4" Tek Drive Screw	8	8
Aluminum Plank Clip	8	12
5/16"-18 x 3-1/2" Carriage Bolt	8	12
5/16"-18 Lock Nut - Nylock	8	12
5/16"-18 Washer	8	12
Optional Surface Mount Plate	2	3



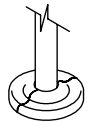
M3
Round Surface
Mount

DC1



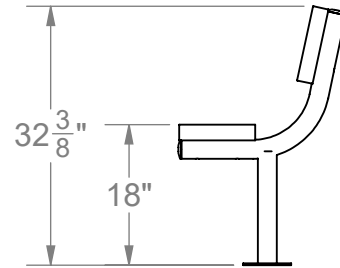
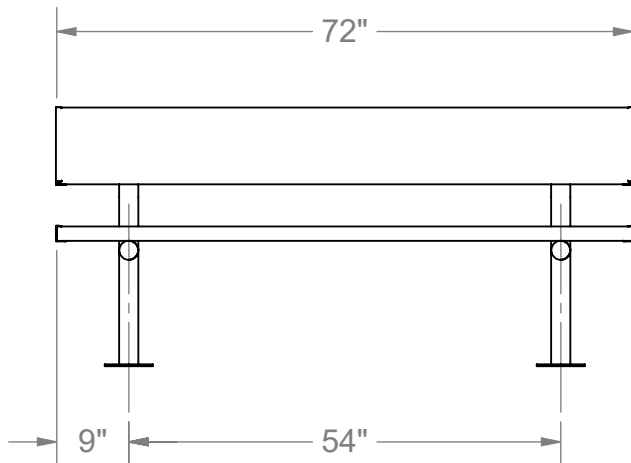
1 piece

DC2



2 piece

Optional Designer Plate
Cover for M1 OR M3



*ALL DIMENSIONS TYPICAL
FOR ALL MOUNTING OPTIONS.*

For M3 option Models.

(An 18"DIA. by 24" deep footing as a minimum is recommended. Please check with your local building authority before pouring concrete.)

10. Pour concrete and allow concrete to set for 3 days. Anchor bench to concrete with desired hardware. (Anchor Hardware NOT included)



Date: 6/15/15

Rev: DH5/4/20

Drawn: MT

Sheet: 4 of 5

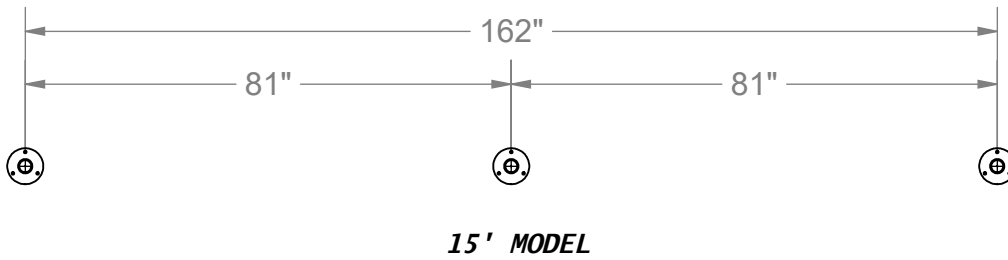
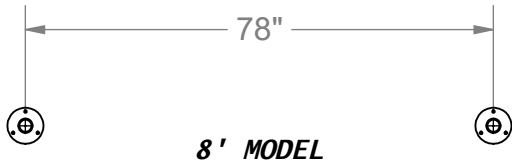
PRODUCTION SHOP DRAWING

ALUMINUM PLAYERS BENCH WITH BACK


MODEL NO.

LA-PBA-8P, LA-PBA-15P

ALL DIMENSIONS TYPICAL
FOR ALL MOUNTING OPTIONS.



NOTE: Footing sizes are based on average soil conditions. Loose and/or sandy soil is not average and footing sizes must be increased accordingly to meet soil conditions and local building codes and specifications. Anchoring hardware not included. Surface mount option must be anchored.

 <p>Steelcraft ELEMENTS FOR LIFE OUTSIDE[®] www.LASTEELCRAFT.com 1-800-371-2438</p>	Date: 6/15/15	PRODUCTION SHOP DRAWING <i>ALUMINUM PLAYERS BENCH WITH BACK</i>
	Rev: DH5/4/20	
	Drawn: MT	MODEL NO.
	Sheet: 5 of 5	LA-PBA-8P, LA-PBA-15P