

SITE FURNISHINGS

- MODEL LA-PB3 - 3-1/2" O.D. MOUNT (38lbs)
- MODEL LA-PB3L- 3-1/2" O.D. MOUNT W/ GROUND SLEEVE (68lbs)
- MODEL LA-PB4 - 4-1/2" O.D. MOUNT (54lbs)
- MODEL LA-PB4L- 4-1/2" O.D. MOUNT W/ GROUND SLEEVE (85lbs)
- MODEL LA-PB5 - 5-9/16" O.D. MOUNT (74lbs)
- MODEL LA-PB5L- 5-9/16" O.D. MOUNT W/ GROUND SLEEVE (106lbs)

SPECIFICATIONS:

POST: 3-1/2", 4-1/2", 5-9/16" Galvanized Steel Tube.

CAPS: Dome=Cast aluminum and secured with rivets at the factory.

SLEEVE: Fabricated of galvanized steel. 27" in length with a 3" interior sleeve at the bottom of the post secured with a 1/4" x 1-1/4" flat bar welded across the bottom which leaves an opening on either side of the flat bar for drainage. The post rest on top of the interior sleeve allowing 24" of post in sleeve.

LOCKING OPTION: Fabricated of 1/4" steel on both the post and the sleeve for locking at surface just below grade.

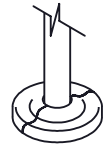
LOCK BOX: 4" x 4" x 3" steel box welded to sleeve to accommodate padlock.

DC1



1 piece

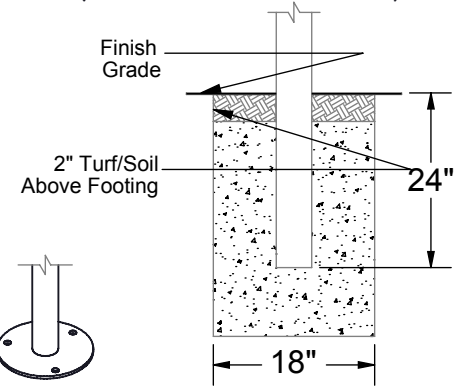
DC2



2 piece

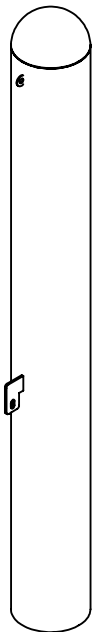
Optional Designer Plate
Cover for M1 OR M3

(Not available for 6 5/8")

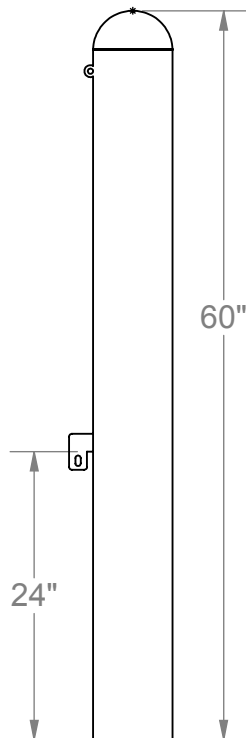


M3
Round Surface
Mount

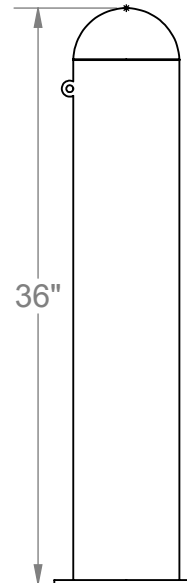
M1
Permanent
Mount



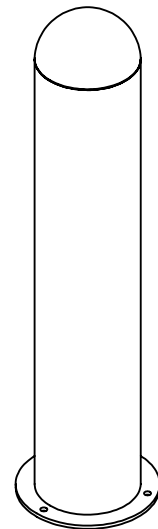
M1 MOUNT
IN-GROUND INSTALL
(Ground Sleeve Lock Tab
Optional)



M1
Dome Cap



M3
Dome Cap



M3 MOUNT
SURFACE INSTALL

NOTE: MOUNTING OPTIONS:

M1 - IN-GROUND MOUNTING

M3 - SURFACE MOUNTING

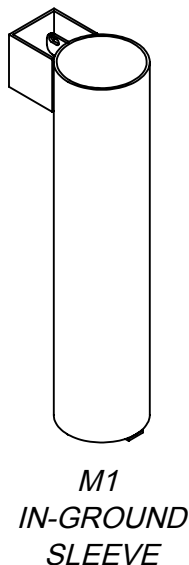
(Note: Bollard must be anchored. Anchoring hardware not included.)



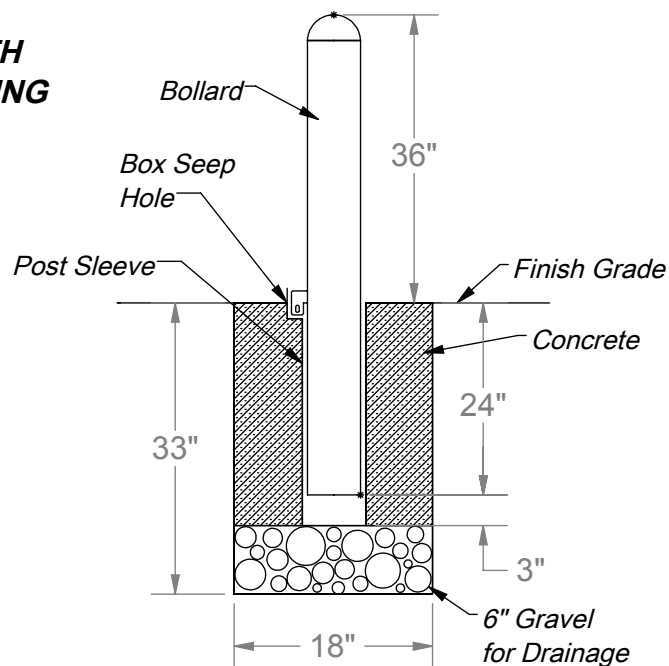
DATE: 10/6/15	SPECIFICATION / INSTALLATION INSTRUCTIONS
REV: T032120	
DRAWN: TEAM	
SHEET: 1 of 2	<i>Bollard Assembly</i>
	LA-PB3, LA-PB3L, LA-PB4, LA-PB4L LA-PB5, LA-PB5L

SITE FURNISHINGS

Model#	Post O.D.	Depth of Hole	Overall Length Of Bollard	Length In Sleeve	Dia. of Hole	Weight
LA-PB3 LA-PB3L	3-1/2"	30" 33"	60" 60" w/8303 Sleeve	24"	18"	38 lbs. 68 lbs.
LA-PB4 LA-PB4L	4-1/2"	30" 33"	60" 60" w/8304 Sleeve	24"	18"	54 lbs. 85 lbs.
LA-PB5 LA-PB5L	5-9/16"	30" 33"	60" 60" w/8305 Sleeve	24"	18"	74 lbs. 106 lbs.



M1 MOUNT WITH SLEEVE & LOCKING OPTION



INSTALLATION INSTRUCTIONS:

- 1) Dig a hole 30" deep for in-ground install or 33" deep for sleeved install.
- 2) Put a 6" layer of gravel in the bottom of the hole to allow for drainage.
- 3) For in-ground installation, center the bollard in the footing hole and block or shim bollard from below so that top of bollard is 36" above finish grade. Note: The 36" height is to the top of the cap.
- 4) For sleeved installation, place post in sleeve in order to plumb. Block or shim from below so that the top of the sleeve is flush with finish grade. Note: For locking option box on sleeve pour concrete around box. Dig out excess concrete so the box is open for padlock. Also make sure seep hole is not filled in.
- 5) Pour concrete and check for plumb. Let set for 48 hours before removing bracing materials.
- 6) For surface mount installation mark anchor locations by using the holes in the surface mount plate. Anchor in desired position. (Anchors not included)

Note: Footing sizes are based on average soil conditions. Loose and/or sandy soil is not average and footing sizes must be increased accordingly to meet soil conditions and local building codes and specifications.