

PLAYERS BENCH

MODEL LA-LBA-8P 2" x 10" x 8' ALUMINUM PLAYERS BENCH (42lbs)
 MODEL LA-LBA-15P 2" x 10" x 15' ALUMINUM PLAYERS BENCH (56lbs)

SPECIFICATIONS:

1. LEG FRAME: 2-3/8" O.D. Galv. Steel post welded to 3"x2" Galv. Steel Angle.
2. PLANK: 2" x 10" ALUMINUM PLANK
3. HARDWARE: All hardware is stainless steel.
4. FINISH: All welds are ground smooth.

NOTE: MOUNTING OPTIONS:

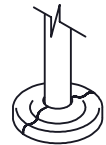
- M1 - IN-GROUND MOUNTING
- M2 - PORTABLE MOUNTING
- M3 - SURFACE MOUNTING

DC1



1 piece

DC2

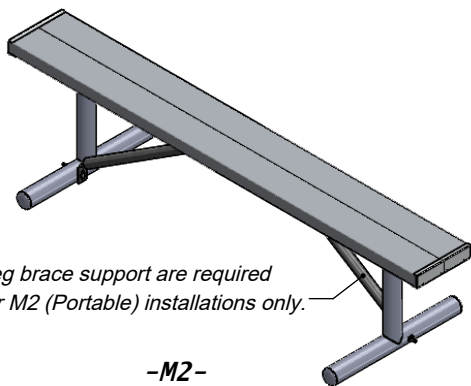
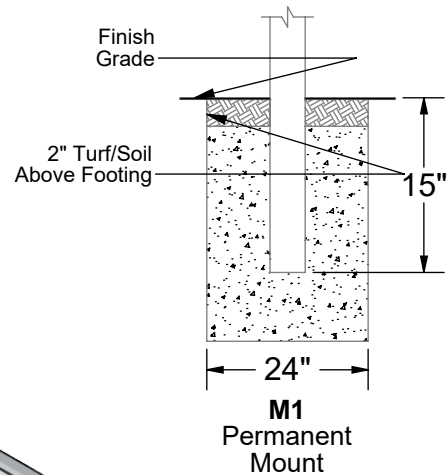


2 piece

Optional Designer Plate
Cover for M1 OR M3

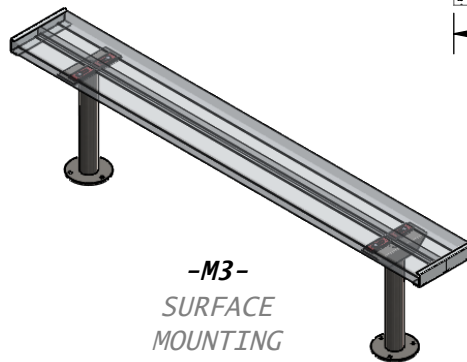


-M1-
PERMANENT
MOUNTING



Leg brace support are required
for M2 (Portable) installations only.

-M2-
PORTABLE
MOUNTING



-M3-
SURFACE
MOUNTING

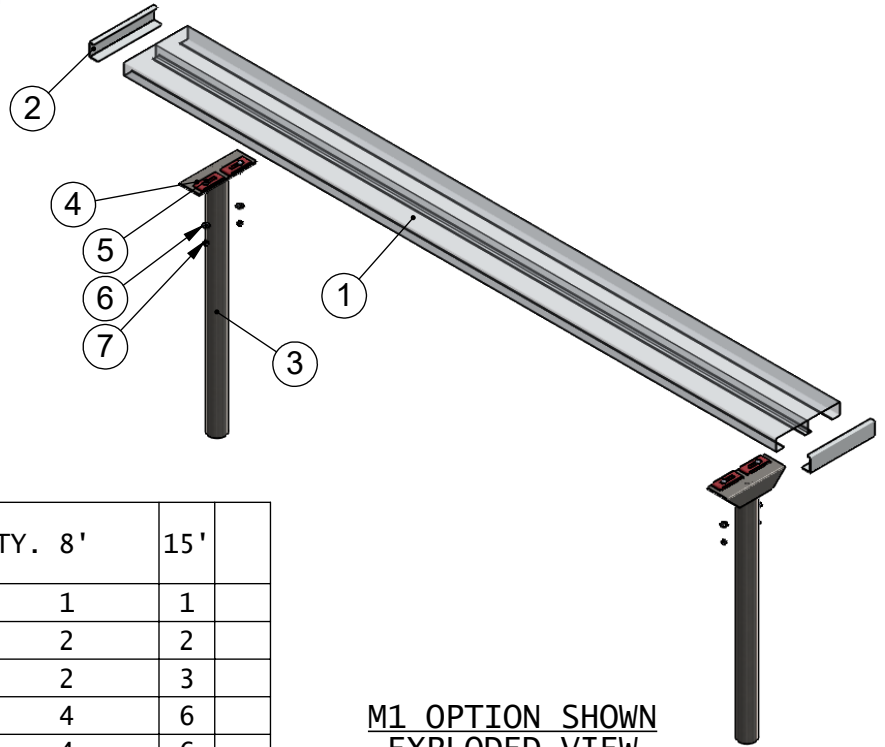
(Note: Bench must be anchored. Anchoring hardware not included.)

DATE: 6/16/15	SPECIFICATION / INSTALLATION INSTRUCTIONS
REV: DH5/4/20	ALUMINUM PLAYERS BENCH W/O BACK
DRAWN: MT	
	LA-LBA-8P, LA-LBA-15P
SHEET: 1 of 4	

PLAYERS BENCH

M1 - IN-GROUND MOUNTING

M3 - SURFACE MOUNTING



ITEM #	COMPONENT DESCRIPTION	QTY. 8'	15'
1	ALUMINUM PLANK (2" x 10")	1	1
2	ALUMINUM END CAP	2	2
3	M1 or M3 LEG FRAME	2	3
4	ALUMINUM CLIPS	4	6
5	5/16" x 1-1/4" Carriage Bolt	4	6
6	5/16" Flat Washers	4	6
7	5/16" Nylock Nut	4	6
8	#10 x 3/4" TEK SCREW	4	6

M1 OPTION SHOWN
EXPLODED VIEW

INSTALLATION INSTRUCTIONS:

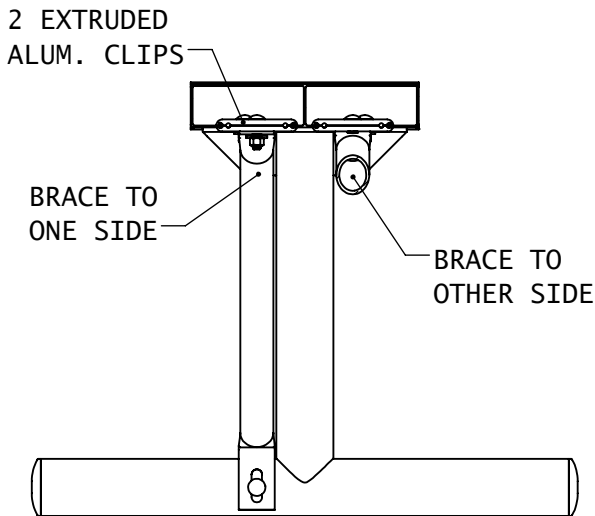
1. Determine the model of bench to be installed. Use Footing Detail on page 5 to determine the distance between support posts for that model and dig the holes for the footings. See Detail B sheet 1 for recommended footing depths.
2. Assemble and align end caps on aluminum planks. Install self-drilling, self-tapping tek screws on end caps.
3. Assemble extruded clips on seat supports with 5/16" 1-1/4" carriage bolts, washers and Nylock nuts provided. (See Detail Below) Finger tighten bolts to where nylon begins in nut. Rotate clips 90 deg. to the frame.
4. Lay aluminum plank over plank clips. Rotate plank clips so the grooves lock down on the plank. Tighten bolts to where nylon begins in nut. The first seat support will be approximately 9" from center of support to end of plank. Assemble other seat supports to plank in same manner.
5. When all hardware is tightened lower bench into holes. Brace bench so top of seat plank is 18" above finished grade and level.
6. Pour concrete to within 2" of finish grade or to finish grade depending on your preference and let concrete set for 48 hours. Remove bracing and cover footings with turf.

PLAYERS BENCH

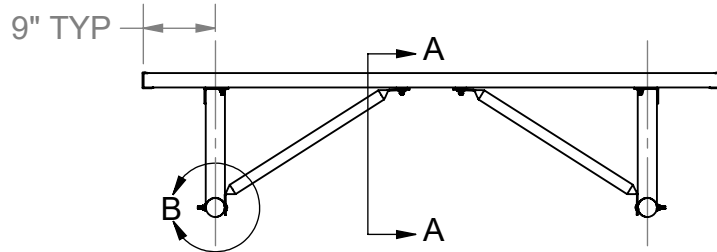
M2 - PORTABLE MOUNTING

Portable Mount Option:

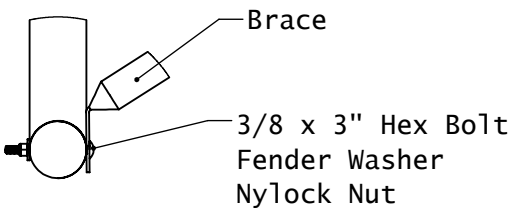
1. Install bench braces to frames using 3/8" x 3" Hex Bolt. See Detail A & B below. Insert bolt through frame, holding bolt in place assemble one end of brace over bolt and install 3/8" lock nut. Do not tighten nut at the same time, just install until finger tight.
2. Attach the other end of the brace pipe to the bottom of the aluminum plank with two plank clips, with a 5/16" x 1-1/2" carriage bolt and nut. Repeat for the 2nd brace on 8' bench, and 3x for 15' bench.
3. Plumb braces to planks and tighten all hardware securely so the clips are firmly in contact with the mounting surface.



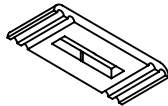
SECTION A-A



M2 PLAN VIEW



DETAIL B

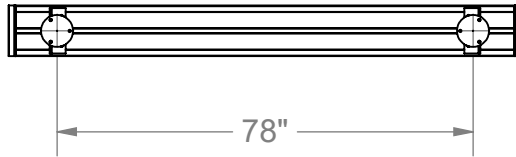


ALUMINUM CLIP

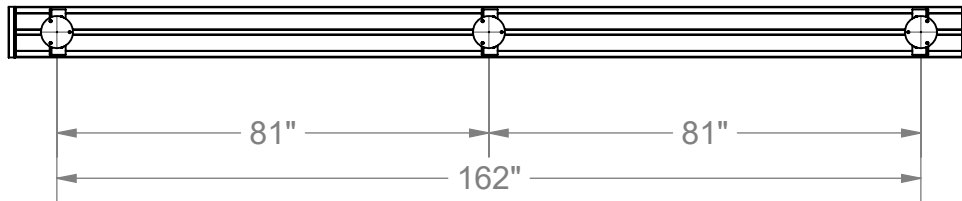
Length of Bench	8'	15'
Bench Frame	2	3
CIBRACE28	2	4
Anodized Aluminum Plank	1	1
5/16" x 1-1/4" Carriage Bolt	4	6
5/16" x 1-1/2" Carriage Bolt	2	4
5/16" Lock Nut - Nylock	6	10
5/16" Flat Washer	4	6
5/16" Fender Washer	2	4
3/8" x 3" Hex Bolt	2	2
3/8" x 3-1/2" Hex Bolt	0	1
3/8" Fender Washer	2	4
3/8" Lock Nut - Nylock	2	3
Aluminum Plank Clip	8	14
Aluminum End Cap	2	2
#10 x 3/4" Tek Screw	4	4



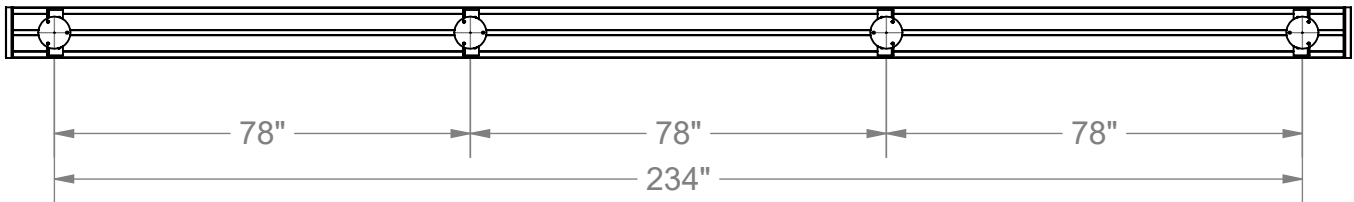
1119-06-M3
FOOTING SPACING



1119-08-M3
FOOTING SPACING



1119-15-M3
FOOTING SPACING



1119-21-M3
FOOTING SPACING

NOTE: Footing sizes are based on average soil conditions. Loose and/or sandy soil is not average and footing sizes must be increased accordingly to meet soil conditions and local building codes and specifications.