

FOUL BALL POLE

MODEL LA-FLP-20 - 20' FT POLE W/ MESH FLAG (500lbs)

MATERIALS:

POST: 4-1/2" O.D. Galvanized Steel

FLAG: 2-3/8" round tubing with 3/4" x 9ga. flat diamond mesh welded to frame.

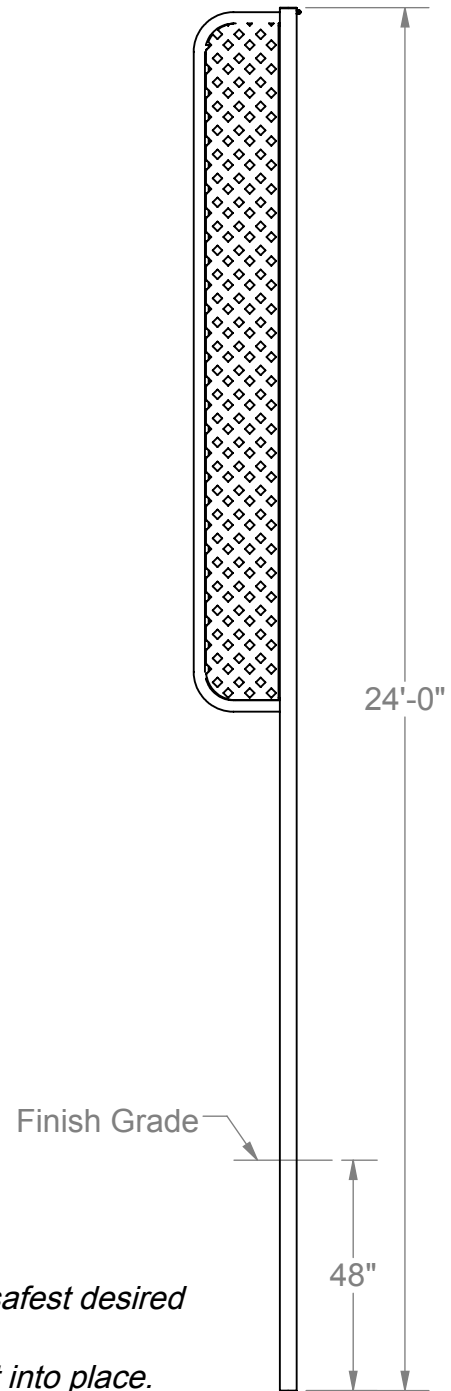
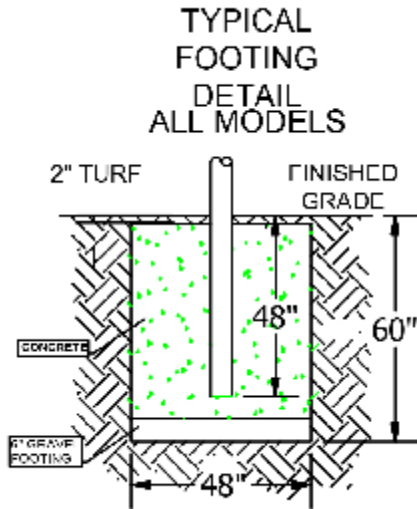
FINISH: Powder Coated Yellow. All welds ground smooth. All hardware is zinc coated for long rust-free service. (Padding is not included)

DIMENSIONS:

HEIGHT: 20ft. pole above ground with a 48" bury.

FLAG: Overall 12" x 144" with 2-3/8" round tubing & diamond mesh.

WARRANTY: 3 Years



INSTALLATION INSTRUCTIONS:

1. Dig a hole per footing detail. check local building codes for safest desired dimensions.
2. Attach wind flag on eyebolt at top of pole before setting post into place.
3. Position post in hole and rotate flag to desired direction inside foul line.
4. (Ground Sleeve option) = Position Ground Sleeve Lock Box in hole and rotate till box is perpendicular to foul line.
5. Pour concrete to set for 3 days before removal of bracing and completion of installation. (NO need for bracing the post on Ground Sleeve option, . Center Ground Sleeve in concrete with lock box being 1-1/2" above Finish Grade.



Date: 9/15/15
 Rev: RR10121
 Drawn: MT
 Sheet: 1 of 2

SPECIFICATIONS/INSTALLATION DRAWING

MODEL NO.

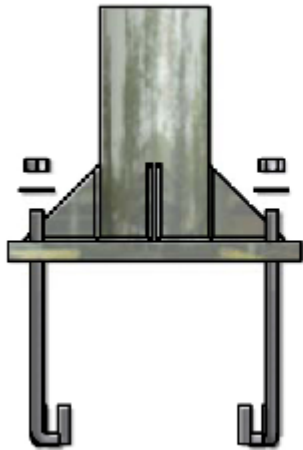
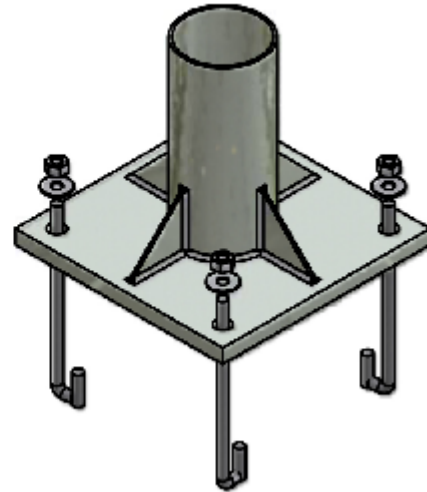
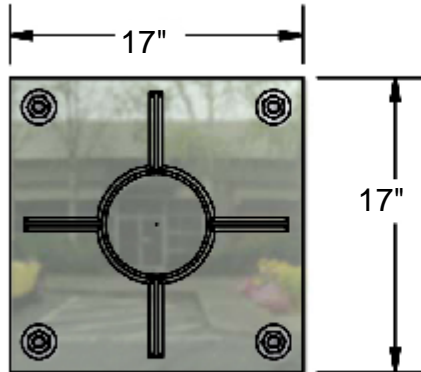
LA-FLP-20

FOUL BALL POLE

SURFACE MOUNT OPTION

EXTREMELY IMPORTANT:

Surface mount plates can be welded to the base posts for that option but it is still necessary to anchor the base posts with the suggested minimum amount of concrete footing. It is also suggested that the installer tie his anchors into the concrete footing with a rebar cage of installers design. Consult local building codes for safest desired amounts.



Recommended anchoring systems do not supersede any local building codes. Hardware for anchoring is not included.

NOTE: Footing sizes are based on average soil conditions. Loose and/or sandy soil is not average and footing sizes must be increased according to meet local soil conditions.



Date: 9/15/15
Rev: RR10121
Drawn: MT
Sheet: 2 of 2

SPECIFICATIONS/INSTALLATION DRAWING

MODEL NO.

LA-FLP-20