



HERCULES CLIMBER VI

902-301

INSTRUCTIONS:

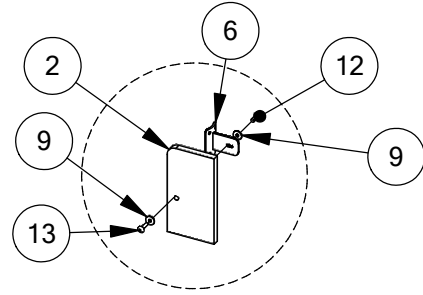
1. Layout footings as shown in the footing diagram and dig. Using a transit level make sure all holes are the same depth.
2. Set the 2 center posts, level and concrete. Let stand 24 hrs. or set the 2 center posts with "hot mix" and let stand the recommended time as specified on the concrete label.
3. Once main posts are set then begin building unit per dwg. Install the plastic walls by attaching the brackets with tabs to the panel as shown in Detail A. Once the brackets are in place, attach them to the post with self tapping screws as shown in Detail B. Be sure to raise panel so that the bottom of panel is located at the top of the safety surfacing. Finish attaching the brackets on the main post then set the next structure post in footing and attach it to the brackets.
4. Attach the 4-hole pipe brackets to the rope wall brackets (tighten set screws) and begin attaching it to the post with self tapping screws as show in Detail D. Again be sure to raise the brackets so that the rope is just above the safety surfacing.
5. Begin installing the rope wall by pulling threaded rods through the holes on the brackets and placing the plastic bolts caps over the rod and nut as shown in Detail D.
6. Attach the 2 climbing ladders as shown per Detail C with self tapping screws.
7. Finally make sure all posts and ladders are level and in line with each other and concrete. Allow 48 hrs before allowing play.



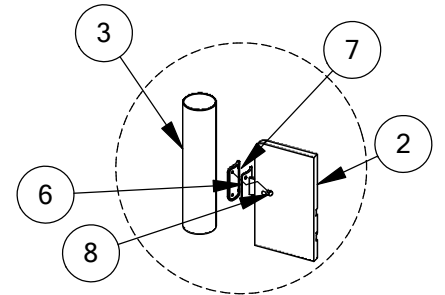
HERCULES CLIMBER VI

902-301

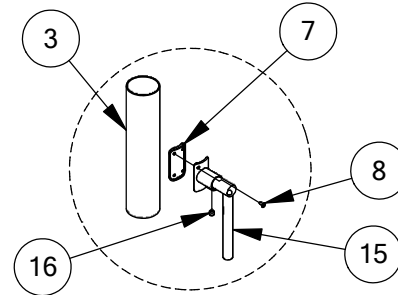
ITEM NO.	PART NUMBER	DESCRIPTION	QTY.
1	903-302	Arch Ladder Hercules Climbers	2
2	903-301	Plastic Panel Hercules Climbers	2
3	913-108	5" OD Post 11'-4"	2
4	905-302	Net for Hercules Climbers	4
5	913-402	4 Hole Attachment Brackets	8
6	913-417	Panel Attachment Bracket	16
7	905-208	Gasket for Attachment Brackets	24
8	905-526	Self-Tapping Tamper Resistant Torx #27 Screw	110
9	316-601	3/8" Flat Washer SS	46
10	216-601	3/8" Hex Nut SS	14
11	905-847	Bolt Caps	14
12	216-512	5/16" x 1" Button Head Nut SS	16
13	116-530BPS	5/16" x 1" Button Pin SS	16
14	326-501	5/16" Lock Washer SS	16
15	903-307	Rope Brackets Hercules Climber	2
16	196-807	3/8" x 3/8" Socket Set Screw	8
17	905-261	Torx Driver w/Collar #27 Tamper Resistant	2
18	105-015	1-5/8" Alum Pipe Plug	4
19	416-350	3/16" Socket Key	1



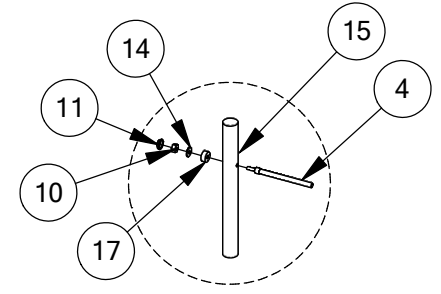
DETAIL A



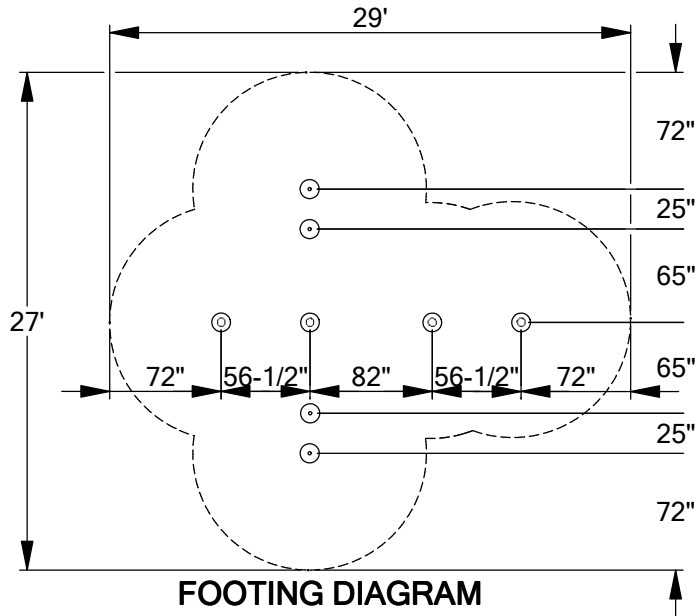
DETAIL B



DETAIL C



DETAIL D



FOOTING DIAGRAM

