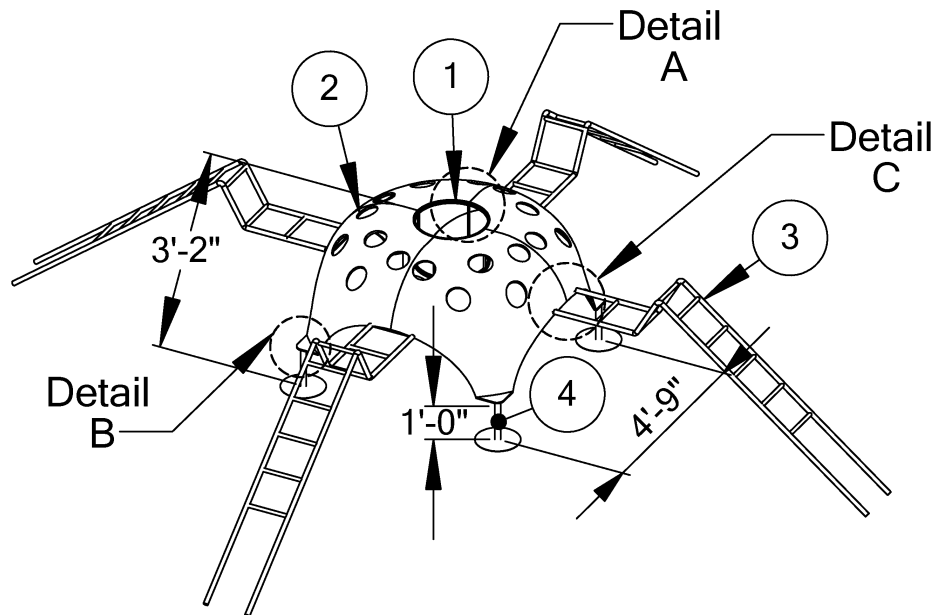


111-113 Charlotte The Spider

Page 1
Rev. 11/16/09
111-113.I.CC.1109.2

IMPORTANT

PLEASE READ THESE INSTRUCTIONS BEFORE COMMENCING ASSEMBLY. All equipment must be installed in accordance with these instructions. Check your shipment against Bill of Lading and Parts list. Any missing or broken parts must be reported to your distributor within 10 days of receipt of your order. When properly installed and maintained, equipment will give many years of Safe, Trouble-Free use. Periodically check for loose or broken parts. Loose bolts must be tightened and broken parts must be replaced as they can possibly create dangerous situations leading to unnecessary accidents. Resilient Surfacing should be used under all playground equipment. Appropriate publications, available at no charge, from the Consumer Product Safety Commission, include "A Handbook for Public Playground Safety". You can receive your free copy by calling 1-301-504-7908.



Distance from the high point of the shell arch to the resilient surfacing = 2' 2"

<u>PACKING LIST</u>				<u>HARDWARE BAG</u>			
1	CTN	1	Hardware Bag	4	116-608	3/8" x 2" Hex Bolt	
1	CTN	1	113-306 Ring Ladder	8	116-530	5/16" x 1" Button Head Bolt	
1	SKID	1	113-044 Shell	4	116-535	5/16" x 1 1/2" Button Head bolt	
2	BDL	2	113-221 Ladder	4	326-601	3/8" Lock Washer	
1	BDL	4	113-601 Leg	12	326-501	5/16" Lock Washer	
				12	216-512	5/16" Button Head Nut	
				2	416-350	3/16" Socket Key	
				16	316-601	3/8" Flat Washer	
				1	805-532	Warning Label	
				1	805-534	SportsPlay Label	
				1		Maintenance Checklist	

2 CTN	1 SKID	3 BDL	6 TOTAL PCS	250 # Weight	Class 70
-------	--------	-------	-------------	--------------	----------

SportsPlay Equipment, Inc., 5642 Natural Bridge, St. Louis, MO 63120 (314) 389-4140
www.sportsplayinc.com

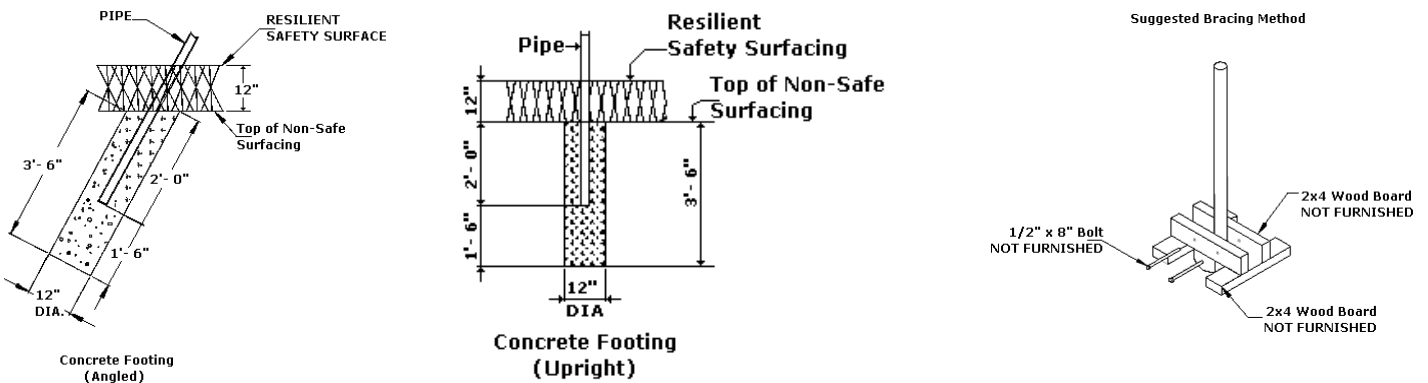
GENERAL USE/FALL ZONE & FOOTING RECOMMENDATIONS

Stationary & Portable equipment

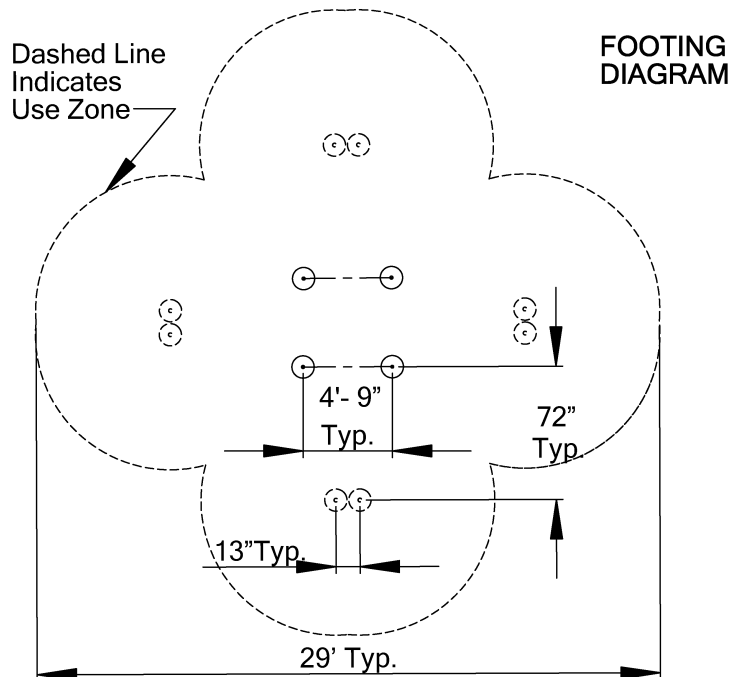
Use/Fall zones should extend a minimum of 6 feet in all directions from the perimeter of the equipment ground space. This area should be covered with the required amount of resilient safety surfacing material.

For some equipment Use/Fall zones can overlap. See Consumer Product Safety Commission Guidelines. Diameter and depth of footings illustrated are satisfactory in most applications for pipe sizes up to 2 3/8" diameter. Varying soil & climatic conditions may require deeper and heavier footings in some areas. Check local building codes.

IF RESILIENT SURFACING IS TO BE LESS THAN 12", THEN ADDITIONAL PIPE SHOULD BE PUT IN CONCRETE TO MAINTAIN PROPER FINISH GRADE FOR EQUIPMENT.



USE AREA AND FOOTING LAYOUT:



111-113 Charlotte The Spider

Page 3

Rev. 11/16/09

111-113.I.CC.1109.2

GENERAL MAINTENANCE INSTRUCTIONS:

Check MONTHLY for loose bolts, damaged or broken parts. Tighten and/or replace immediately. On swings and any equipment that uses S-hooks and/or Swing Hangers check the bearing surfaces for wear. Replace any parts that show a reduction of 25% from the original size.

ASSEMBLY AND INSTALLATION:

NOTE: All threaded ends of bolts protruding beyond nuts must be cut off and/or peened to eliminate sharp edges. No more than two threads should extend beyond face of nut. All washers, "T" nuts, and other fastener hardware used on round pipe or tubing must be hammered down to conform to the curved underlying surface to eliminate catch points. DO NOT tighten nuts more than hand-tight until entire assembly is completed.

- STEP #1: Dig footing hole approximately 1' in diameter x 2' deep per footing drawing.
- STEP #2: Place 2 ring ladder below the shell with ring that has (4) holes in it facing upwards. It will be attached beneath the shell.
- STEP #3: Attach the 2 ring ladder to the underside of the shell using 5/16" x 1 1/2" Button Head Bolts, Lock Washers and Button Head Nuts. See Detail A.
- STEP #4: Turn assembly over and attach 113-601 legs to shell using 3/8" x 2" Hex Head Bolts and Lock Washers. See Detail B
- STEP #5: Check and tighten all nuts and bolts. All threaded ends of bolts protruding beyond nuts must be cut off and/or peened to eliminate sharp edges. No more than two threads should extend beyond face of nut. All washers, T-Nuts and other fastener hardware used on round pipe or tubing must be hammered down to conform to the curved underlying surface to eliminate catch points.
- STEP #6: Position the completed shell assembly in place as required.
- STEP #7: Use the suggested bracing method as shown for holding assembly in place.
- STEP #8: Attach 113-221 ladders to shell and brace as shown. See Detail C
- STEP #9: Level assembly and pour concrete in footing holes. Allow 48 hours for concrete to set.
- STEP #10: Install appropriate resilient surfacing according to the surfacing manufacturer's requirements.
- STEP #11: After equipment has been in use at least three or four days, check and tighten all nuts and bolts.
- STEP #12: Attach warning label and Manufacturer's Identification label to a clean surface. The labels should be attached in a location where they are

111-113 Charlotte The Spider

clearly visible and legible and away from normal hand and foot placement areas. The labels must be replaced if they become illegible, destroyed or removed. Contact your SportsPlay distributor for replacements.

