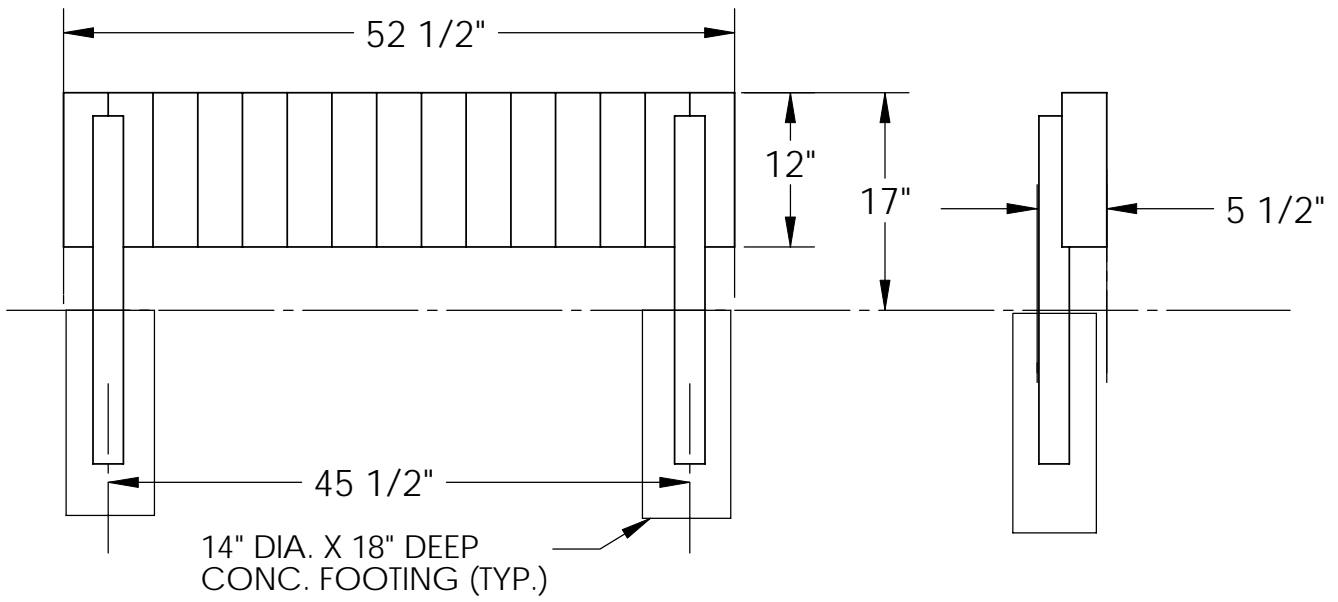
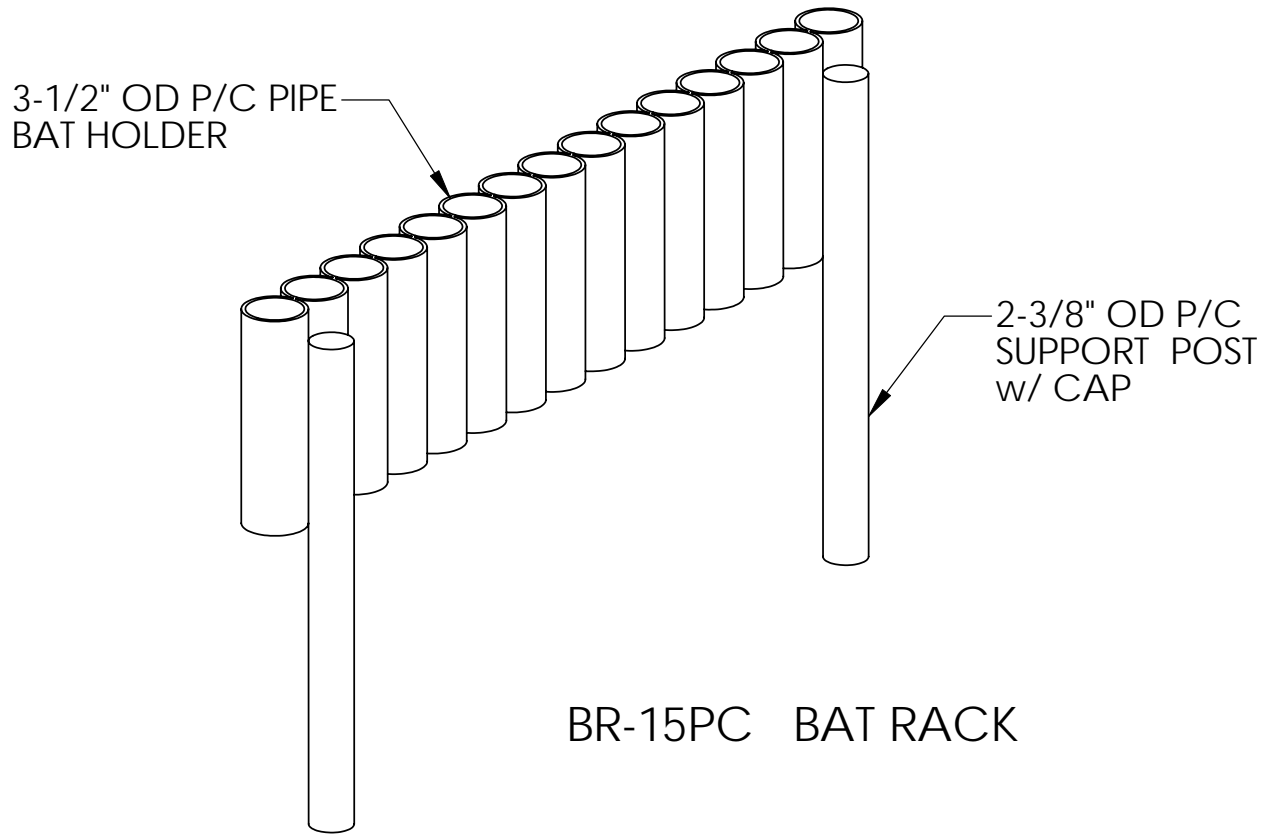


DO NOT SCALE DRAWING



BACK VIEW

SIDE VIEW

**NOTE: SPECIFICATIONS ARE SUBJECT TO CHANGE**