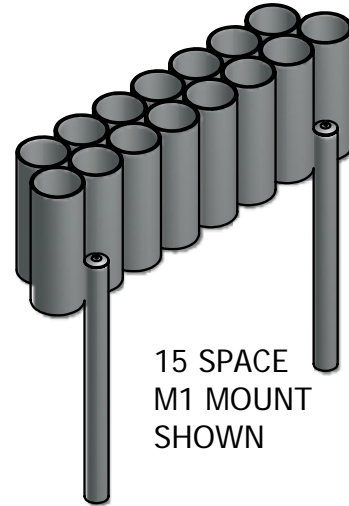


GALVANIZED BAT RACK

MODEL #LA-BR-8
PERMANENT BAT HOLDER FOR 8 BATS (69 LBS)

MODEL #LA-BR-15
PERMANENT BAT HOLDER FOR 15 BATS (83 LBS)

FRAMES AVAILABLE STANDARD AS:
- GALVANIZED



GENERAL: Unit is constructed of all galvanized materials for extended life and zero maintenance. Rack has individual bat holders that are designed for easy insertion and extraction. Unit is available in both permanent and surface mount models.

MATERIALS: Bat holding cylinders are constructed of 4-1/2" OD Sch40 Galvanized Pipe and support posts are also constructed of Galvanized Tube. Surface mount model has pre-drilled mounting plate for attachment.

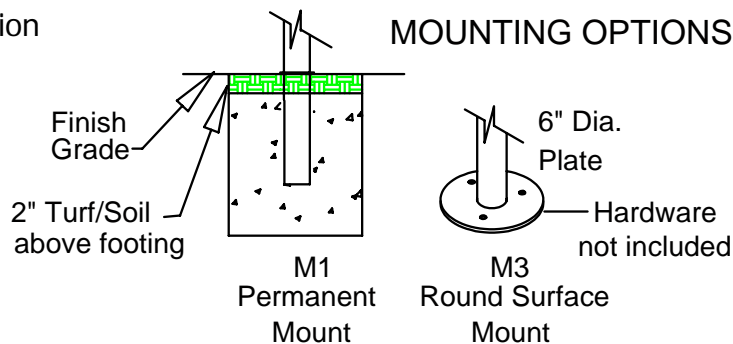
FINISH: All welded construction.

DIMENSIONS: Installed height is 20" for both permanent and surface mount.

INSTALLATION:

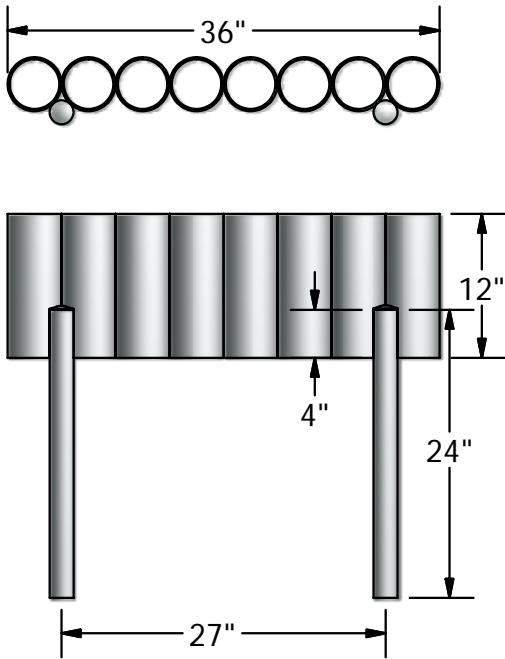
Dig holes in desired location per footing detail above. Lower bat rack legs into holes so that installed, the bat rack is 20" above finish grade. Brace and plumb to vertical. Pour cement up to 2" below grade and let stand for 3 days to allow cement to dry. Remove bracing and cover footing with soil or turf.

Specify Mounting Option when ordering

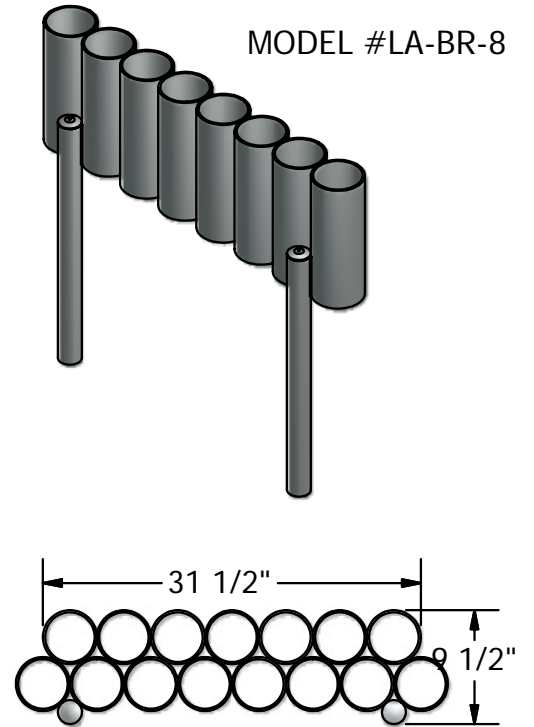


<p>www.LASTEELCRAFT.com 1-800-371-2438</p>	Date: 11-12-07	SPECIFICATION/INSTALLATION INSTRUCTIONS BASEBALL BAT RACK
	Rev: A102109	
	Drawn: AMC	MODEL NO.
	Sheet: 1 of 2	LA-BR-8 & LA-BR-15

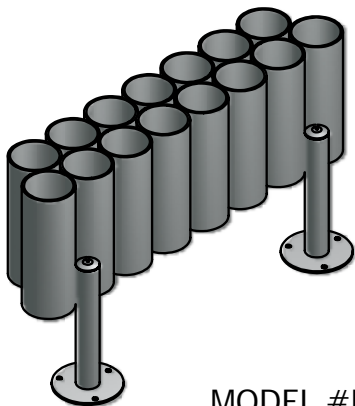
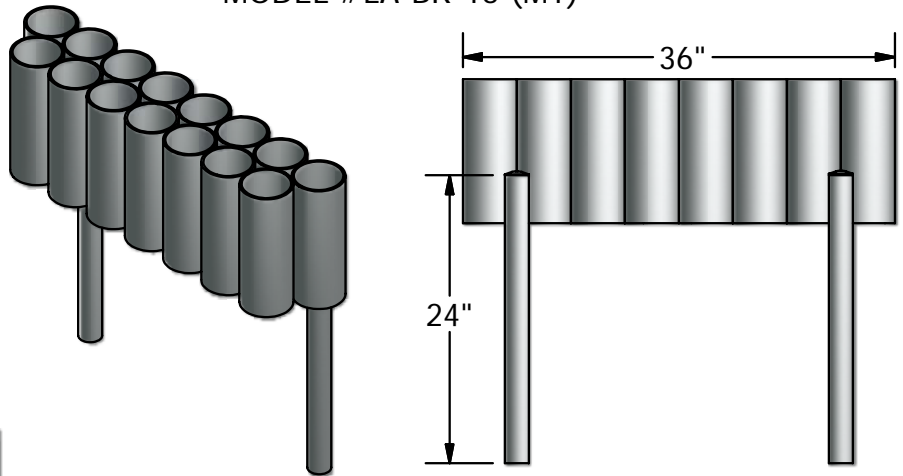
MODEL #LA-BR-8



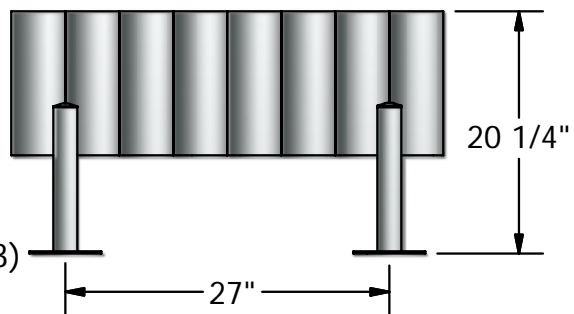
MODEL #LA-BR-8



MODEL #LA-BR-15 (M1)



MODEL #LA-BR-15 (M3)



Date:	11-12-07
Rev:	A102109
Drawn:	AMC
Sheet:	2 of 2

SPECIFICATION/INSTALLATION INSTRUCTIONS
BASEBALL BAT RACK

MODEL NO.

LA-BR-8 & LA-BR-15