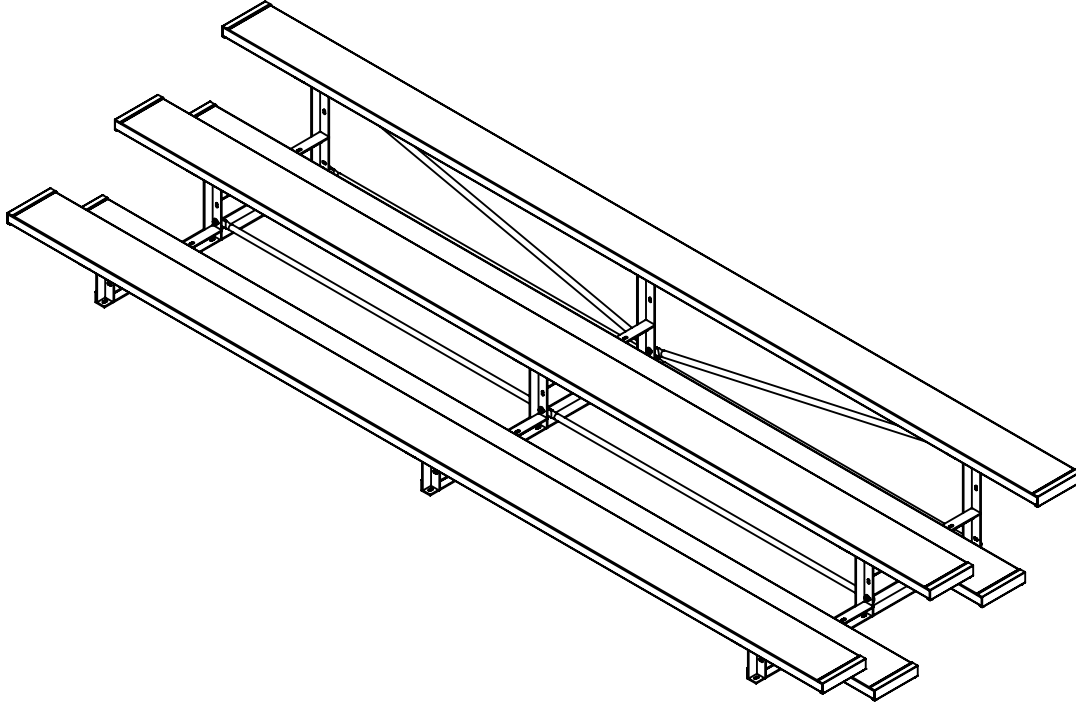


STANDARD SERIES 3-ROW 15' BLEACHER

MODEL LA-BL0315SG 3-ROW 15' STEEL

MODEL LA-BL0315SA 3-ROW 15' ALUMINUM

Standard Series designed for dependability and trouble-free maintenance. Featuring 6" rise from row to row with nominal 10" aluminum planks and optional 2" x 6" ground sills



SPECIFICATIONS:

Bleacher Frames are fabricated from 2" x 2" x 3/16" steel or aluminum angle. Frames are welded into a single unit. Frames may have optional 2" x 6" ground sills at every point where frames are in contact with the ground.

Standard Series Bleachers conform to the requirements of ICC 300-2012.

Seat and Foot Planks: Nominal 2" x 10" x 15' extruded, ribbed aluminum. The edges and tops of planks shall be ribbed. The ribbed pattern, non-slip surface, is designed for safety and comfort. All exposed ends shall have aluminum caps fastened to the underside of the plank. Planks secure to each frame with two friction-type aluminum mounting clips capable of securing the plank against movement under a horizontal force of 400 lbs. All hardware is provided.

Finish: All fasteners shall be zinc plated.



Date: 4/6/2021

Rev: A

Drawn: JBN

Sheet: 1 of 11

PRODUCT NAME

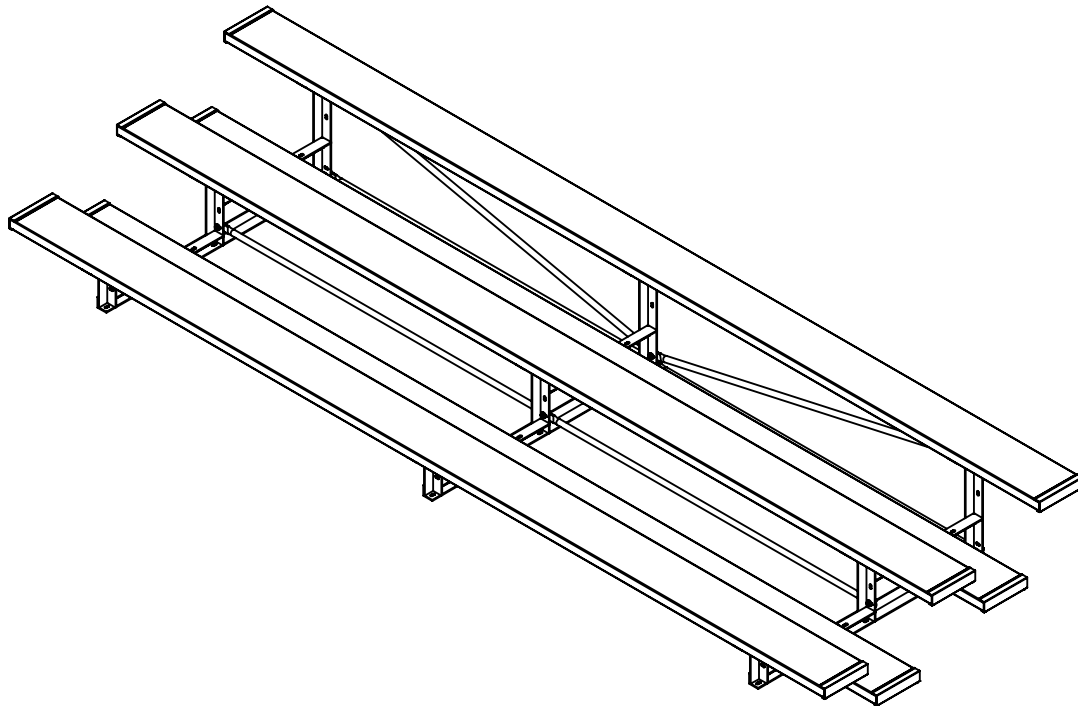
3 ROW STANDARD 15FT

MODEL NO.

LA-BL0315

BOM

ITEM NO.	PART OR AIMS NUMBER	DESCRIPTION	QTY.
1	ROW3A OR ROW3G	BLEACHER 3-ROW STANDARD FRAME	3
2	CIBLB74.625	BLEACHER BRACE 74-5/8" LONG	4
3	RMPLK15-10	ALUMINUM PLANK ANODIZED 10"x 180"	5
4	CIBLB76.375	BLEACHER BRACE 76-3/8" LONG	2
5	VCIAECP	2"x10" ALUM. END CAP	10
6	VCIACLP	BOLT CLIP FOR 10" & 12" ALUMINUM PLANK	30
7	HWCB5161	5/16-18 X 1 CARRIAGE BOLT GRADE 2 ZINC	30
8	HWFLWA516	5/16 USS FLAT WASHER ZINC	30
9	HWLN516	5/16 NYLOK NUT ZINC	30
10	HWHB38112	3/8" HEX BOLT 1-1/2" LONG	9
11	HWFLWA38	3/8" Flat Washer	18
12	HWLN38	3/8 NYLOK NUT ZINC	9
13	HWTEX1034	#10 x 3/4" SELF TAPPING SCREW	20



Date: 4/6/2021

Rev: A

Drawn: JBN

Sheet: 2 of 11

PRODUCT NAME

3 ROW STANDARD 15FT

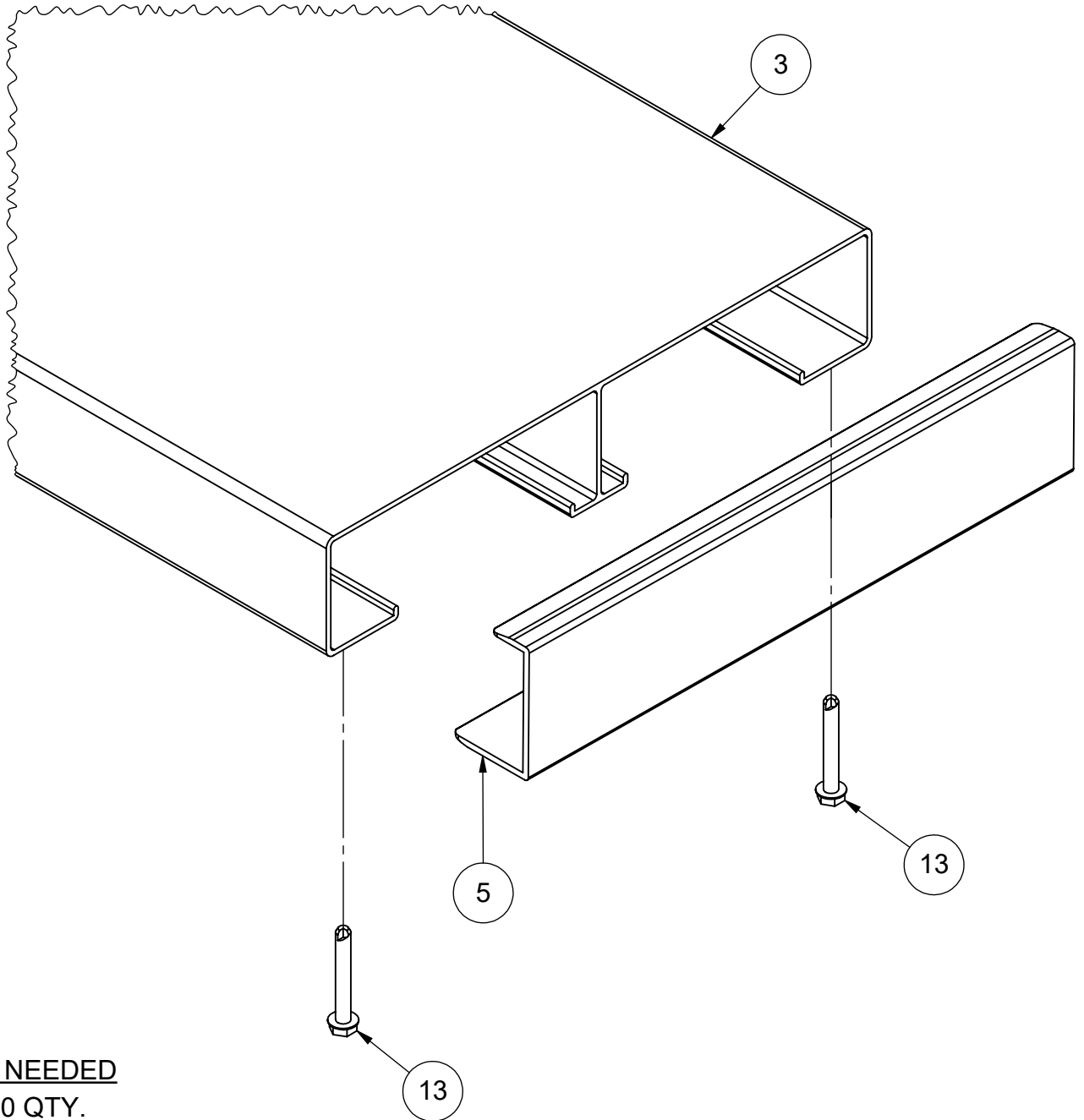
MODEL NO.

LA-BL0315

INSTALLATION INSTRUCTIONS:

1) Check materials received with the BOM to make sure that all components are included and to assure that the unit is complete.

2) Installing End Caps Item on Seat and Foot Planks: 2" x 10" end caps Item (5) . Align and assemble all end caps to aluminum planks. Secure using #10 x 3/4" Item (13) self-tapping screw in two locations on the underside of the clip/plank.



FASTNERS NEEDED
ITEM (13) 20 QTY.



Date: 4/6/2021
Rev: A
Drawn: JBN
Sheet: 3 of 11

PRODUCT NAME

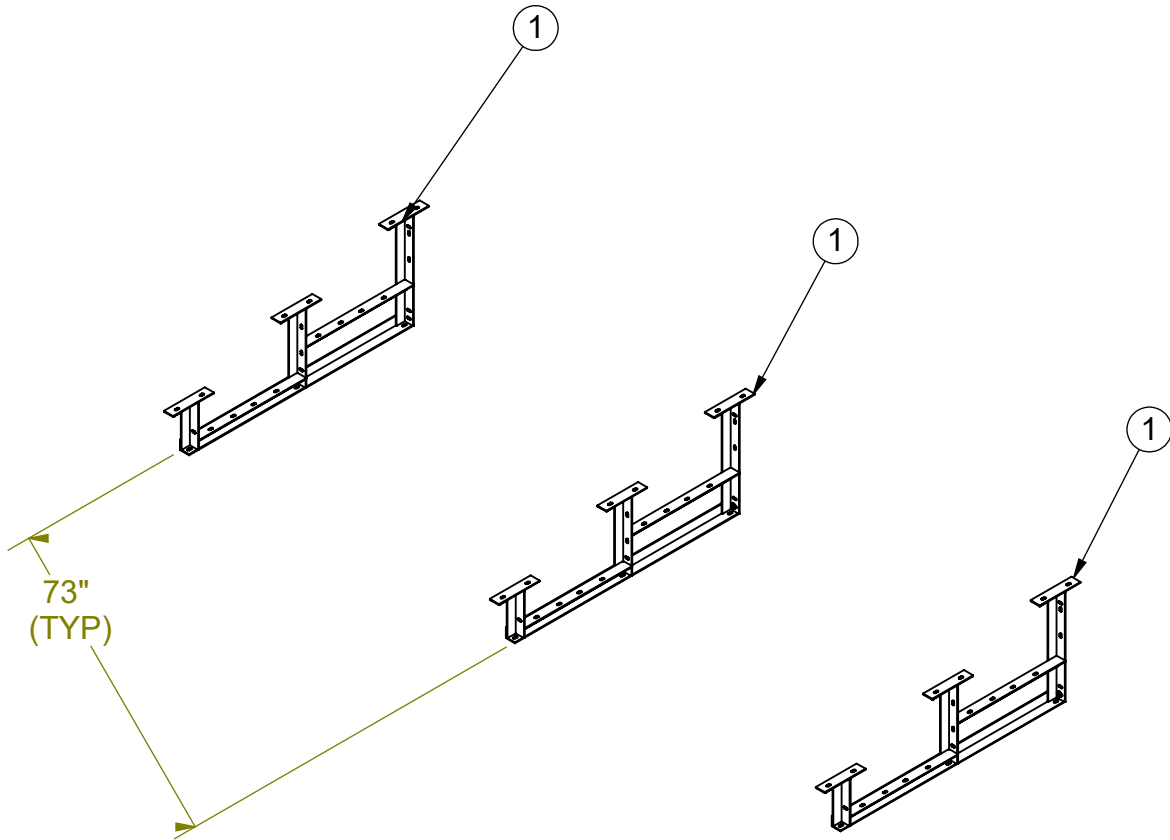
3 ROW STANDARD 15FT

MODEL NO.

LA-BL0315

INSTALLATION INSTRUCTIONS:

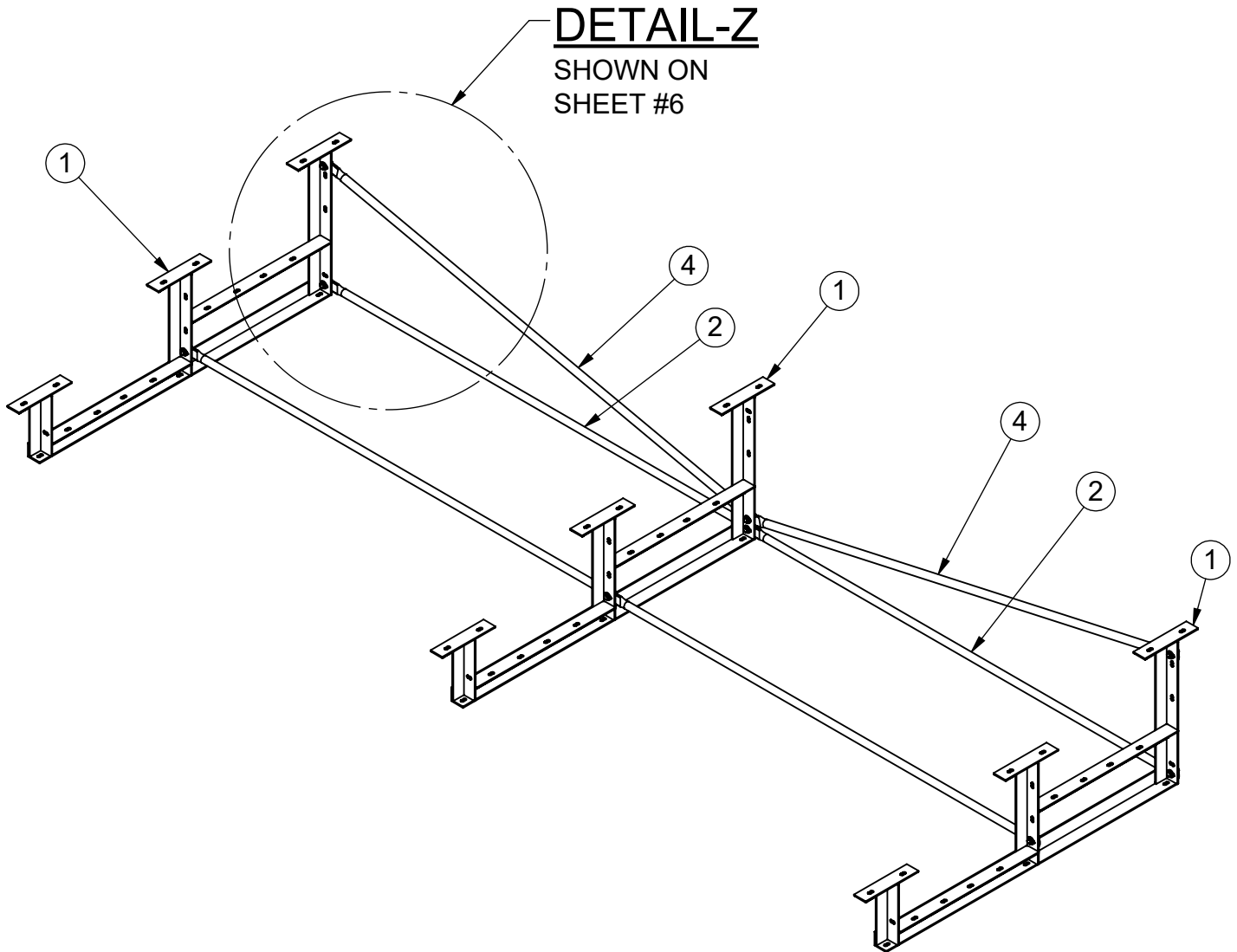
3) Locate the three Bleacher 3-Row Standard Frame Item 1 and set on a level surface on 73" centers.



INSTALLATION INSTRUCTIONS:

4) To Install Cross Braces: a) Locate four horizontal braces measuring 74-5/8" Item (2) and two diagonal braces 76-3/8" (4). Install on the backside of the Bleacher Frames using 3/8" x 1-1/2" Hex Bolt Item (10), Washers Item (11), and Lock Nut Item (12) provided using the top and bottom slots in the frame and center of Braces as shown. Repeat steps to assemble remaining sets of cross braces to the other bleacher frames. At all installation points, install washers and nuts but leave hardware loose until assembly is complete for easy installation.

NOTE: Two washers are provided to use at every hex bolt location.



Date: 4/6/2021

Rev: A

Drawn: JBN

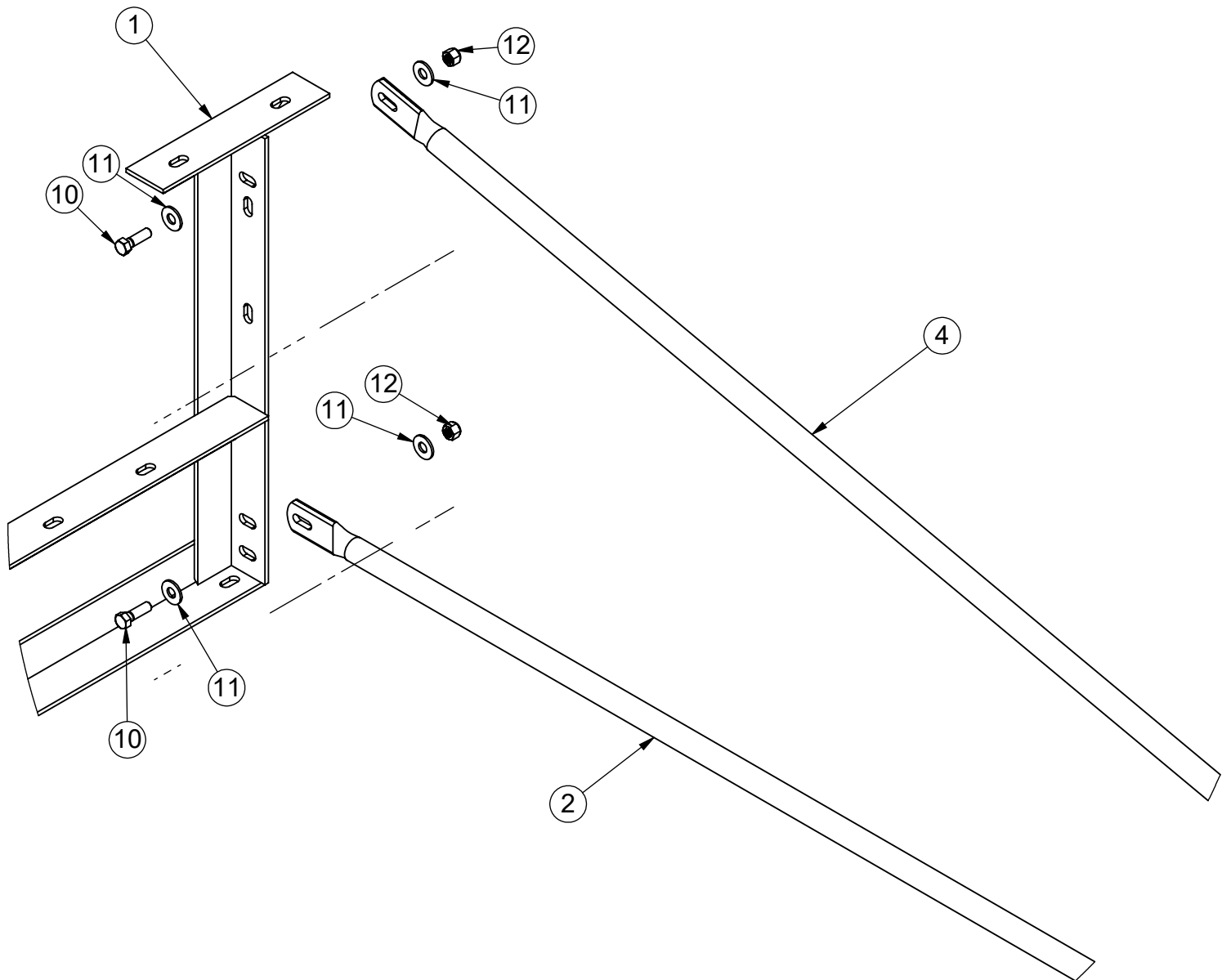
Sheet: 5 of 11

PRODUCT NAME

3 ROW STANDARD 15FT

MODEL NO.

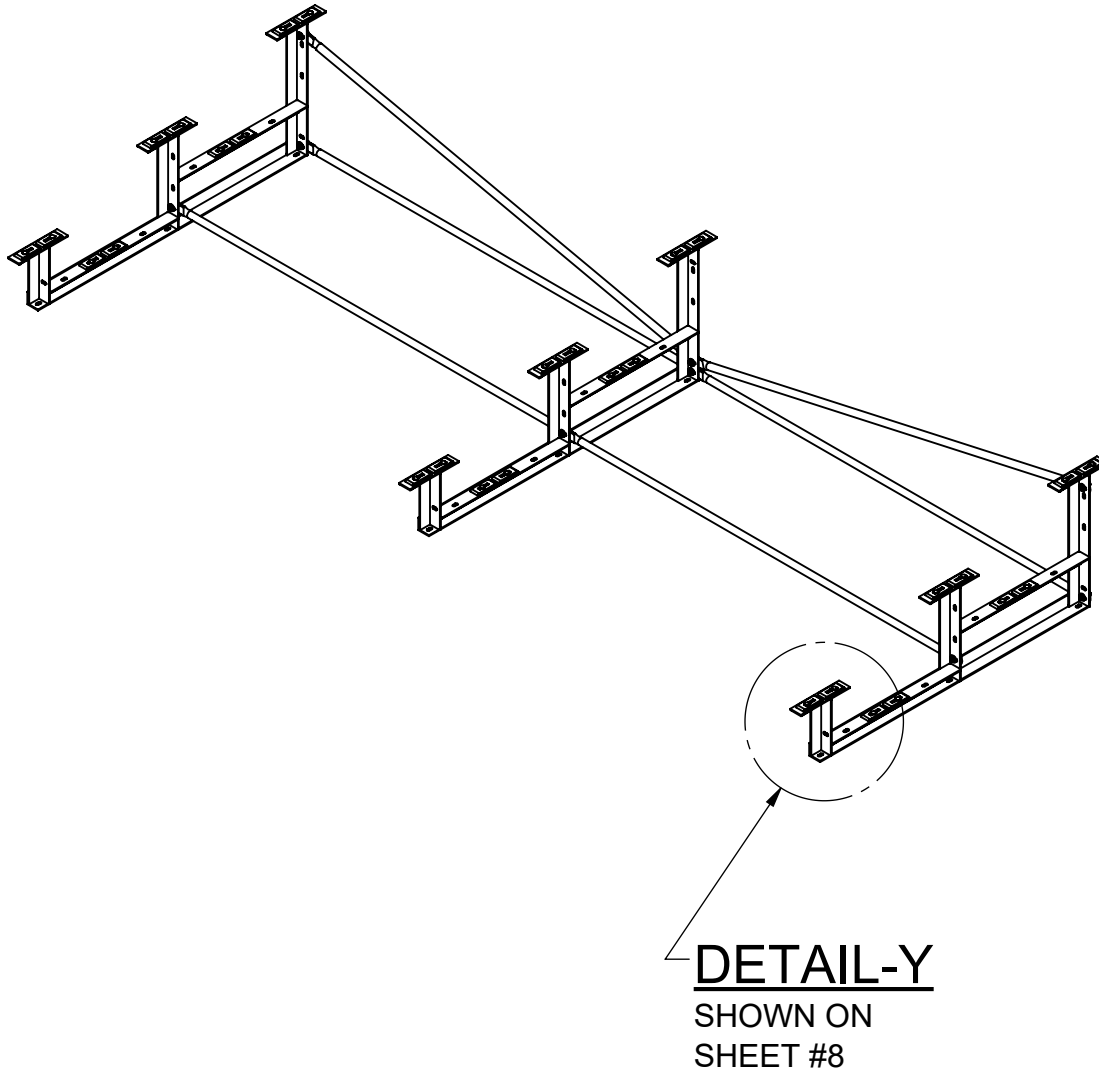
LA-BL0315

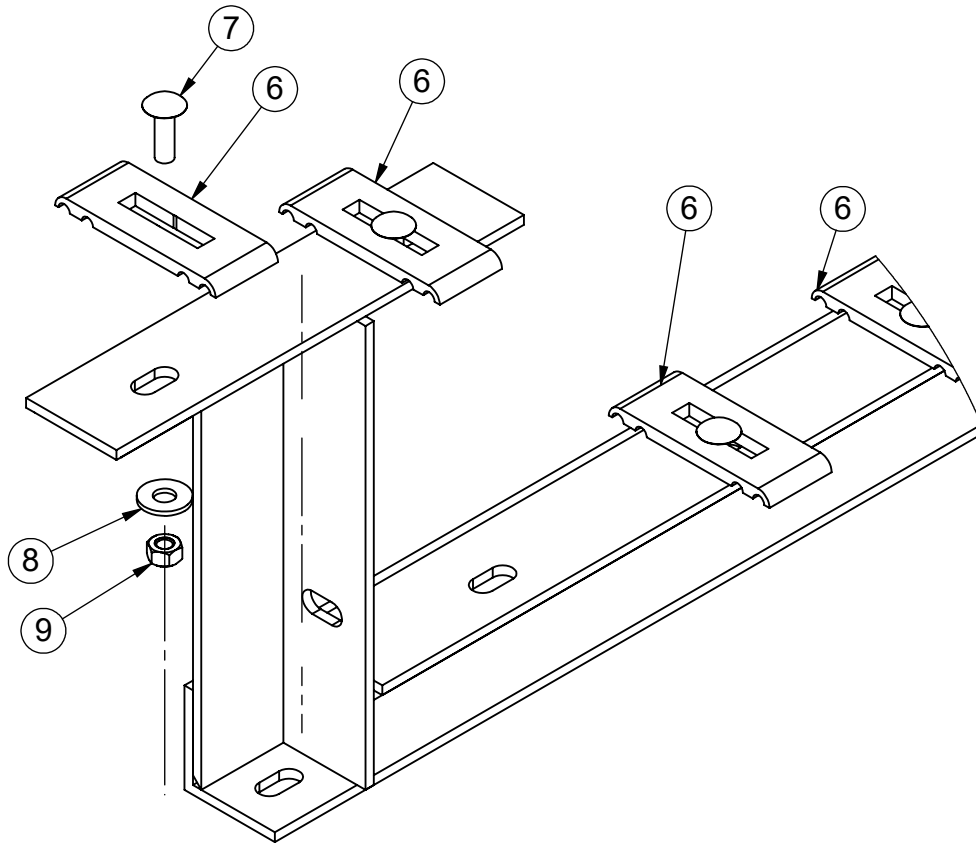


DETAIL-Z
 ENLARGED
 FROM SHEET #5

INSTALLATION INSTRUCTIONS:

5) To Install Seat and Foot Planks: a) First install the Bolt Clip For 10" Aluminum Plank Item (6) using 5/16" x 1" carriage bolts Item (7), washer Item (8), and lock nuts (9) on top of the seat and foot board supports. Give nuts about 3/4 turn (just enough to secure). Turn Bolt Clips Item (6) perpendicular to the frames.

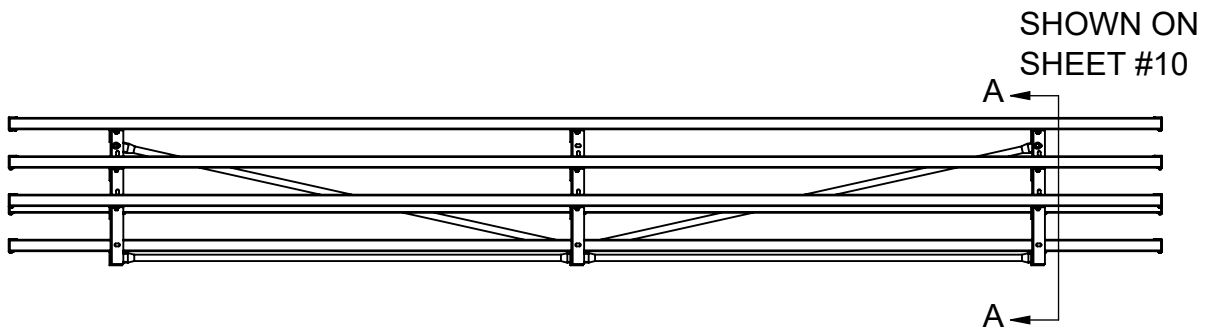
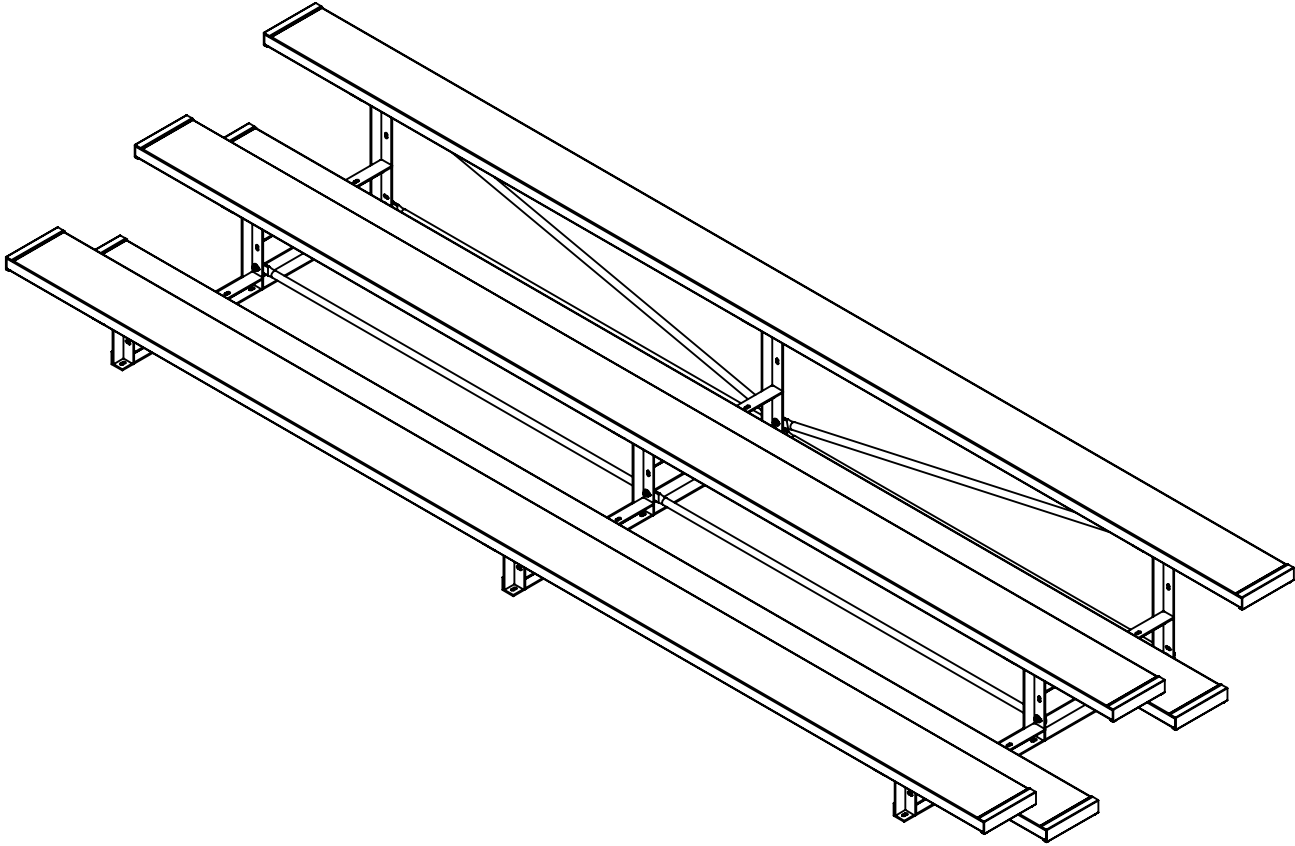




DETAIL-Y
 ENLARGED
 FROM SHEET #7

INSTALLATION INSTRUCTIONS:

6) Position seat Planks and Foot Planks on the supports so the Bolt Clips Item (6) are between the slots in the bottom of Planks. Reach up underneath the Seat Plank, Foot Plank, and Riser Plank to rotate the Bolt Clips Item (6) to 90° so they engage the planks. To Secure Planks to Frames center planks on frames Item (1) Tighten all hardware on frames and planks securely.



FRONT VIEW



Date: 4/6/2021

Rev: A

Drawn: JBN

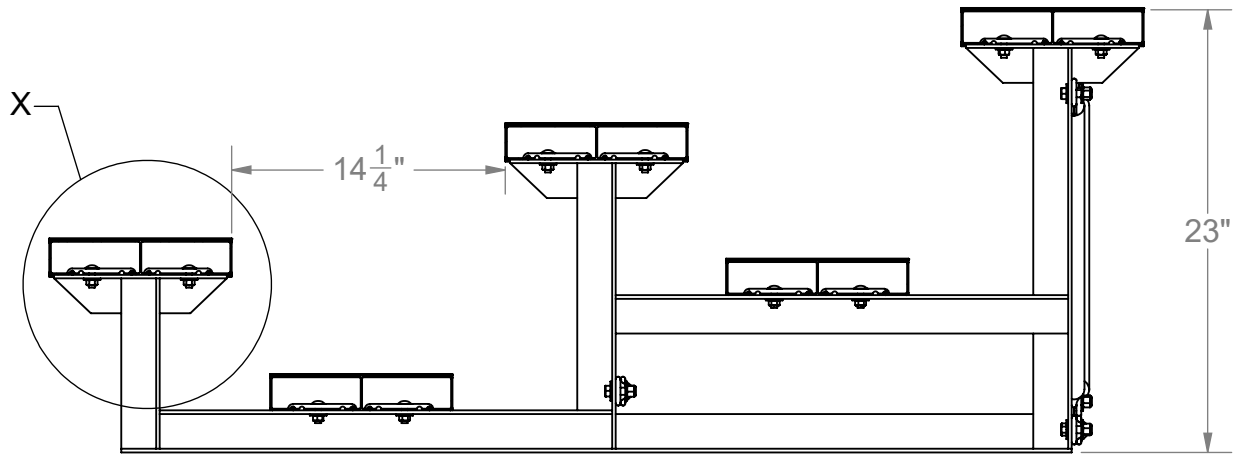
Sheet: 9 of 11

PRODUCT NAME

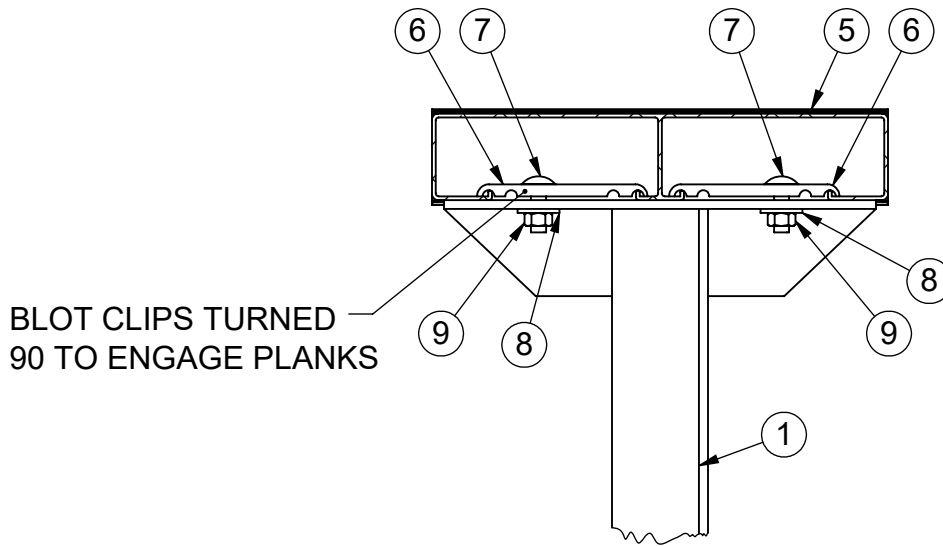
3 ROW STANDARD 15FT

MODEL NO.

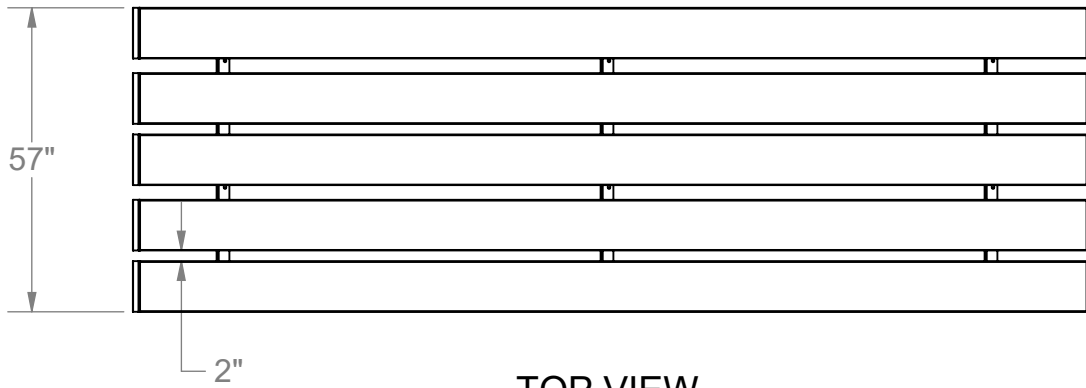
LA-BL0315



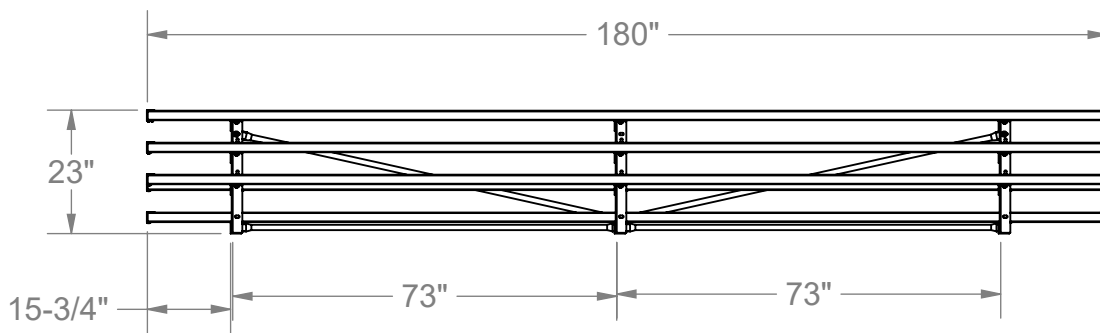
SECTION A-A



DETAIL X
ENLARGED



TOP VIEW



PLAN VIEW



Date: 4/6/2021
 Rev: A
 Drawn: JBN
 Sheet: 11 of 11

PRODUCT NAME

3 ROW STANDARD 15FT

MODEL NO.

LA-BL0315