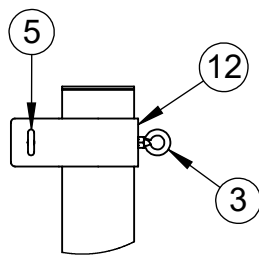
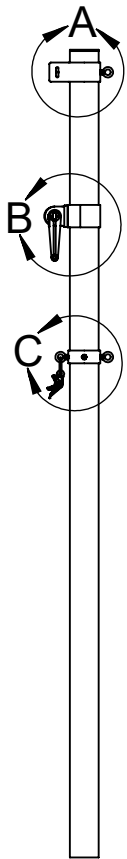
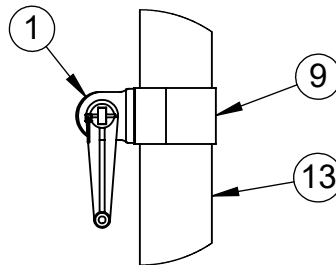


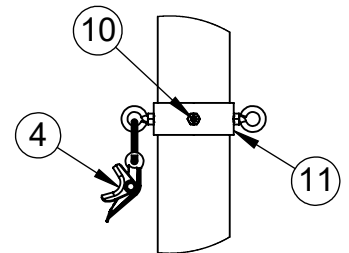
ITEM NO.	PART NUMBER	DESCRIPTION	QTY.
1	8321NT	NET TIGHTENER WITH REMOVABLE HANDLE	1
2	HWHB51634	5/16" x 3/4" HEX BOLT	2
3	HWEB381	3/8" x 1" TURNED EYE BOLT	3
4	604-044	ROPE CLAMP WITH S-HOOK	1
5	HWEB382	3/8" x 2" TURNED EYE BOLT	1
6	HWLN38	3/8" NYLOK NUT ZINC	1
7	VCIPULLEY	SIDE COLLAR PULLEY	1
8	HWFLWA516	5/16" USS FLAT WASHER	2
9	CINETCOL412	ADJUSTABLE NET COLLAR	1
10	HWSCSS3858	3/8"-16 x 5/8" STAINLESS STEEL SET SCREW	2
11	GP412ADJC	4-1/2" I.D. ADJUSTABLE COLLAR	1
12	CINETSIDE412	SIDE PULLEY COLLAR	1
13	W2217APOST	4-1/2" O.D. ALUMINUM GAME POST AND CAP	1
14	HWFLWA38	3/8" FLAT WASHER	1



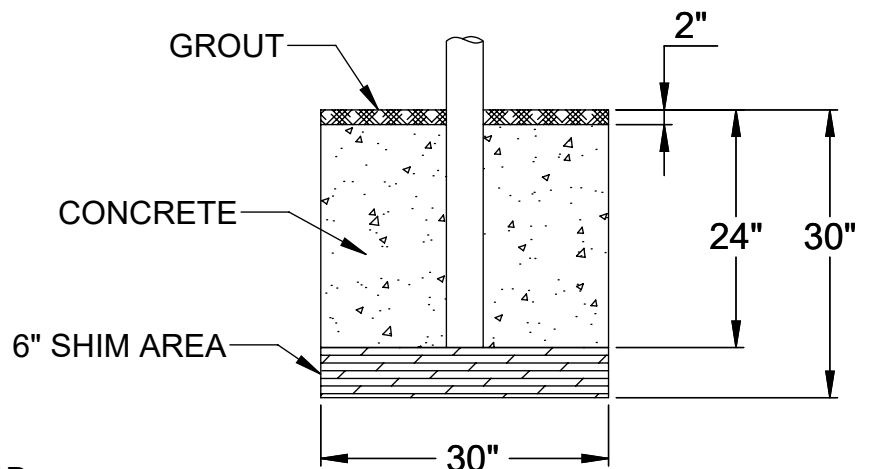
DETAIL A



DETAIL B



DETAIL C



FOOTING DETAIL

NOTE: FOR SAND INSTALLATION, ADD THE DEPTH OF SAND TO TOTAL.

 www.LASTEELCRAFT.com 1-800-371-2438	Date: 6/5/23	PRODUCT NAME HEAVY DUTY ALUMINUM CENTER GAME POST
	Rev:	
	Drawn: CW	MODEL NO.
	Sheet: 1 of 1	LA-AGPA-4C-SPEC