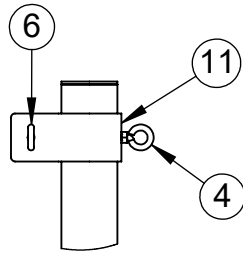
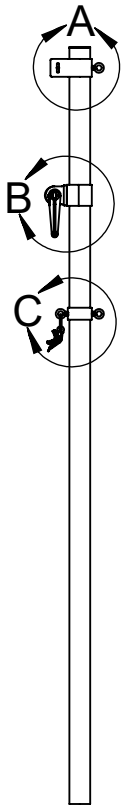
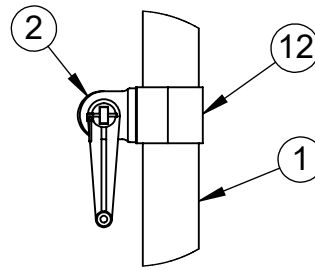


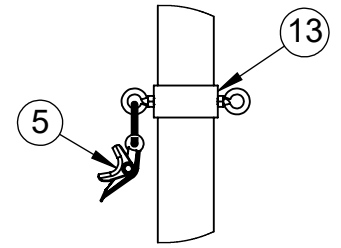
| ITEM NO. | PART NUMBER | DESCRIPTION | QTY. |
|----------|--------------|--|------|
| 1 | W2216APOST | 3-1/2" O.D. ALUMINUM GAME POST AND CAP | 1 |
| 2 | 8321NT | NET TIGHTENER WITH REMOVABLE HANDLE | 1 |
| 3 | HWHB51634 | 5/16" x 3/4" HEX BOLT | 2 |
| 4 | HWEB381 | 3/8" x 1" TURNED EYE BOLT | 3 |
| 5 | 604-044 | ROPE CLAMP WITH S-HOOK | 1 |
| 6 | HWEB382 | 3/8" x 2" TURNED EYE BOLT | 1 |
| 7 | HWFLWA38 | 3/8" FLAT WASHER | 1 |
| 8 | HWLN38 | 3/8" NYLOK NUT ZINC | 1 |
| 9 | VCIPULLEY | SIDE COLLAR PULLEY | 1 |
| 10 | HWFLWA516 | 5/16" USS FLAT WASHER | 2 |
| 11 | CINETSIDE312 | SIDE PULLEY COLLAR | 1 |
| 12 | CINETCOL312 | ADJUSTABLE NET COLLAR | 1 |
| 13 | GP312ADJC | 3-1/2" I.D. SCH 40 ADJUSTABLE COLLAR | 1 |
| 14 | HWSCSS3858 | 3/8"-16 x 5/8" STAINLESS STEEL SET SCREW | 2 |



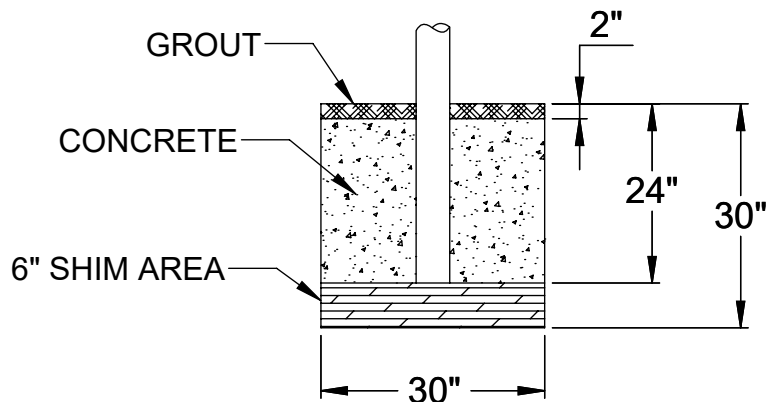
DETAIL A



DETAIL B




DETAIL C



FOOTING DETAIL

NOTE: FOR SAND INSTALLATION, ADD THE DEPTH OF THE SAND TO THE TOTAL.

| | | |
|--|---------------|-----------------------------|
|  <p>Steelcraft ELEMENTS FOR LIFE OUTSIDE™</p> <p>www.LASTEELCRAFT.com 1-800-371-2438</p> | Date: 6/5/23 | PRODUCT NAME |
| | Rev: | HEAVY DUTY CENTER GAME POST |
| | Drawn: CW | MODEL NO. |
| | Sheet: 1 of 1 | LA-AGPA-3C-SPEC |