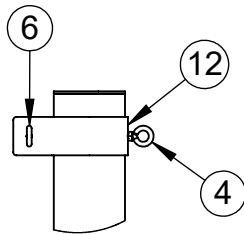
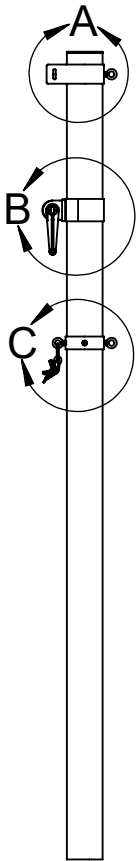
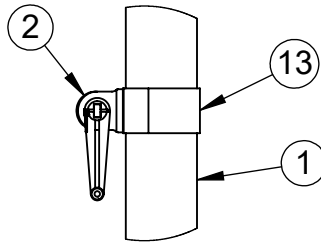


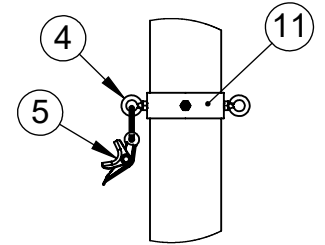
ITEM NO.	PART NUMBER	DESCRIPTION	QTY.
1	W2218GPOST	5-9/16" O.D. GAME POST AND CAP	1
2	8321NT	NET TIGHTENER WITH REMOVABLE HANDLE	1
3	HWHB51634	5/16" x 3/4" HEX BOLT	2
4	HWEB381	3/8" x 1" TURNED EYE BOLT	3
5	604-044	ROPE CLAMP WITH S-HOOK	1
6	HWEB382	3/8" x 2" TURNED EYE BOLT	1
7	HWFLWA38	3/8" FLAT WASHER	1
8	HWLN38	3/8" NYLOK NUT ZINC	1
9	VCIPULLEY	SIDE COLLAR PULLEY	1
10	HWFLWA516	5/16" USS FLAT WASHER	2
11	GP5916ADJC	5-9/16" I.D. ADJUSTABLE COLLAR	1
12	CINETSIDE5916	SIDE PULLEY COLLAR	1
13	CINETCOL5916	ADJUSTABLE NET COLLAR	1
14	HWSCSS3858	3/8"-16 x 5/8" STAINLESS STEEL SET SCREW	2



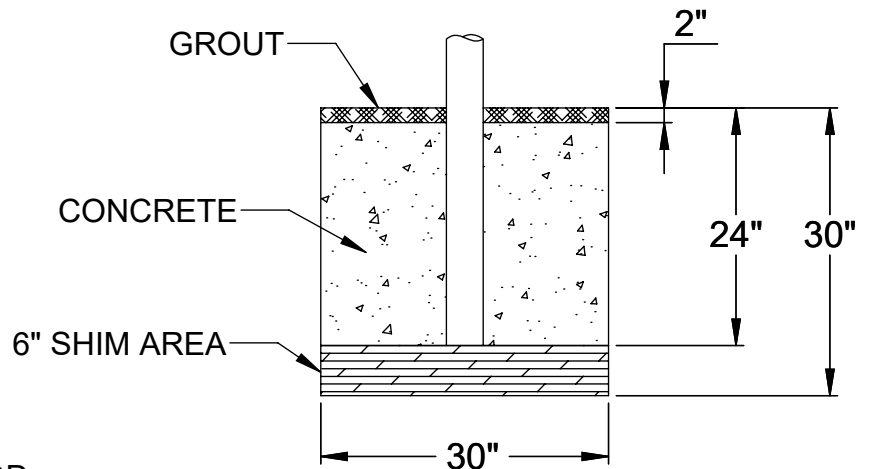
DETAIL A



DETAIL B



DETAIL C



FOOTING DETAIL

NOTE: FOR SAND INSTALLATION, ADD THE DEPTH OF SAND TO TOTAL.



Date: 5/16/23
 Rev:
 Drawn: CW
 Sheet: 1 of 1

PRODUCT NAME
 HEAVY DUTY CENTER GAME POST
 MODEL NO.
 LA-AGP-5C-SPEC