

# VOLLEYBALL

## MODEL LA-AGP-4

4-1/2" O.D. GALVANIZED **DELUXE** COMPETITION POST (238 lbs)

## MODEL LA-AGP-4C

4-1/2" O.D. GALVANIZED **DELUXE** COMPETITION POST (170 lbs)

**GENERAL:** Volleyball posts are available with fixed eyes, net tightener, and side pulley - depending on model selected. All models consist of a pair of posts, except center posts which are designed for side-by-side courts, & include only one post. All posts are equipped w/ fittings for proper net attachment.

**NOTE:** See page 3 & 4 for included accessories.

**MATERIAL:** All materials are selected for strength, durability and the ability to withstand years of exposure.

**POSTS:** A 4-1/2" O.D. heavy-duty galvanized steel post. All posts are fabricated from galvanized steel pipe. Overall length of all posts is 10'-6".

**ROPE CLAMPS:** A heavy-duty self-securing clamp, die-cast from rustproof "zamac" metal. Designed to take rope sizes 1/8" to 3/8". Designed to take stress off of rope, as it has a smooth grooved track for the rope.

**NOTE:** For use on nets with rope suspension.

**NET TIGHTENER W/ REMOVABLE HANDLE:** Permits easy and accurate tensioning of the net. Designed for use on nets with cable or rope suspension. Aluminum cast with a removable handle to lock in place. Pull pin and remove handle.

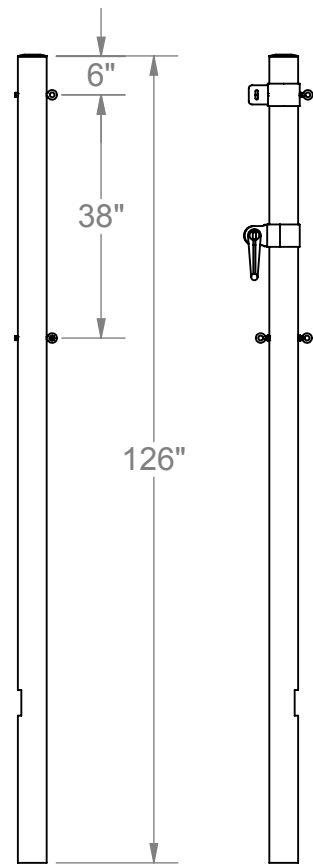
**SIDE PULLEY:** All welded construction of heavy gauge steel galvanized or powder coated. A 2-1/2" Dia. pulley on a 3/8" diameter shaft guides the net cable or rope to the tightener.

**FIXED EYES:** 3/8" diameter zinc-plated steel eyebolts for all models. Heavy steel eyebolts for center post double eyes. These fixed eyes are welded on square post models.

**EYE NUT:** 3/8" eye nuts have internal threads and are used for extending eyebolt for double sided eyes on center posts. Zinc finish.

**FINISH:** All welds are ground smooth and either treated with cold galvanized compound or prepared for powder coat depending on finish selected.

**WARRANTY PERIOD:** 10 years



Date: 6/4/15

Rev: 4/28/20

Drawn: DH

Sheet: 1 of 4

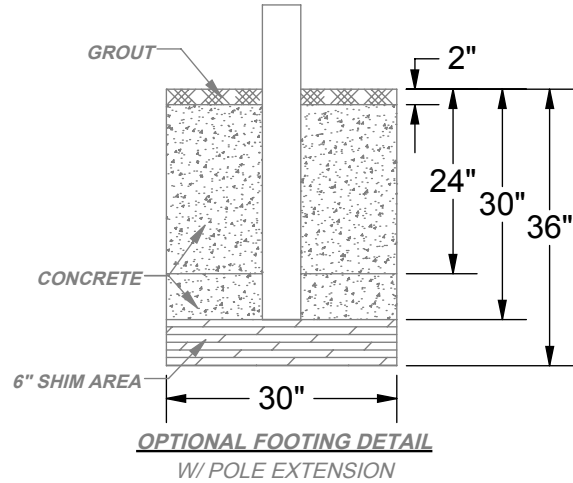
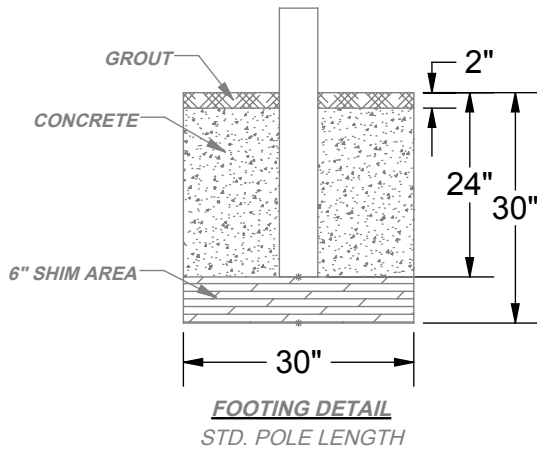
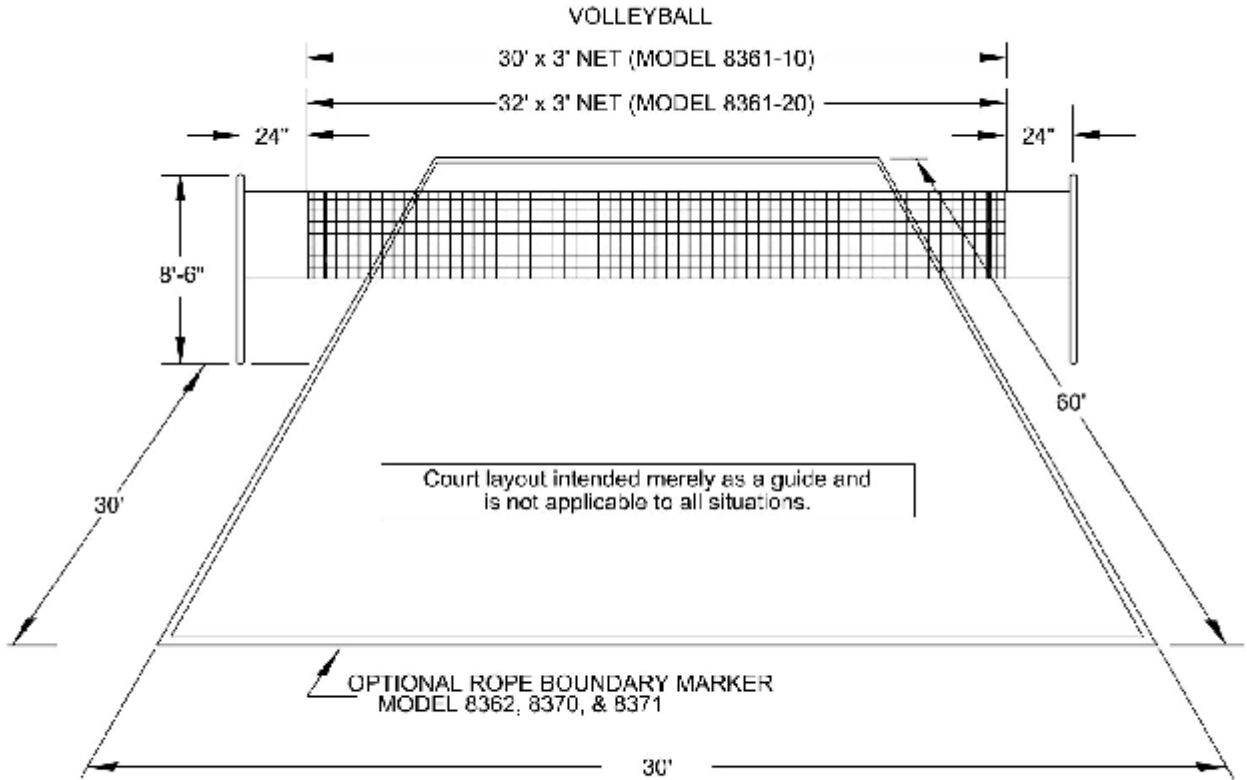
### SPECIFICATION/INSTALLATION INSTRUCTIONS

COMPETITION VOLLEYBALL POST W/ NET TIGHTENER, SIDE PULLEY & ROPE CLAMP

MODEL NO.

**LA-AGP-4, LA-AGP-4C**

# VOLLEYBALL



Formula to calculate total depth of footing:  
 $24'' (\text{Std}) + X (\text{Extension}) + 6'' = D (\text{Depth})$

**NOTE:** For Sand installation, add depth of sand to total.



Date: 6/4/15  
 Rev: 4/28/20  
 Drawn: DH  
 Sheet: 2 of 4

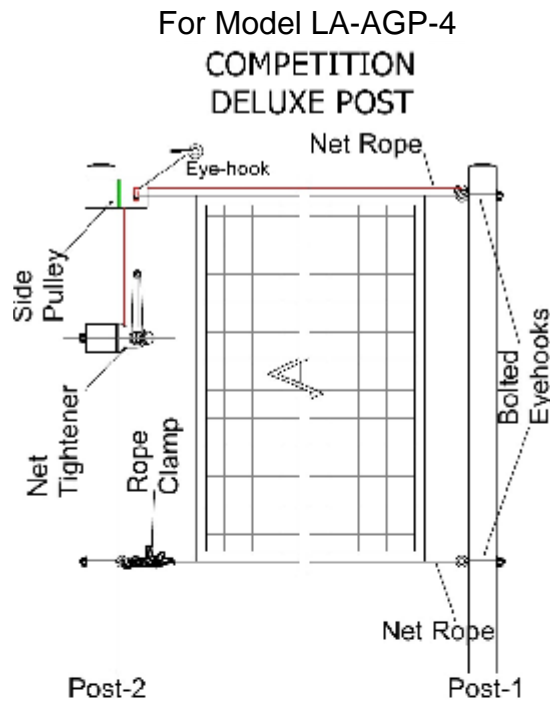
## SPECIFICATION/INSTALLATION INSTRUCTIONS

COMPETITION VOLLEYBALL POST W/ NET  
 TIGHTENER, SIDE PULLEY & ROPE CLAMP

MODEL NO.

**LA-AGP-4, LA-AGP-4C**

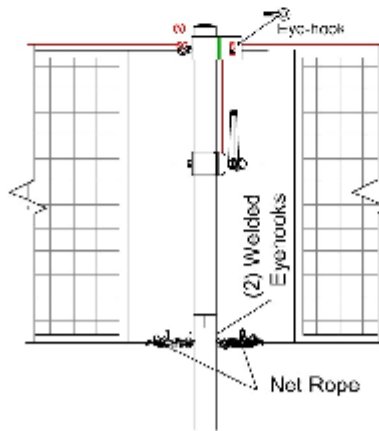
# VOLLEYBALL



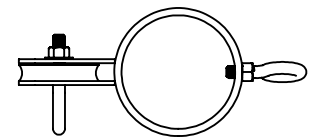
NETS: Model 8361-10 & -20 have Top Cable/Bottom Rope  
 Model 8362-10 & -20 have Top Rope/Bottom Rope



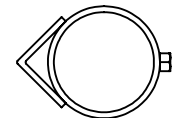
*Pulley Top Cap  
 Net Tightener Collar  
 Pulley Collar*



For Model LA-AGP-4C  
**COMPETITION DELUXE CENTER POST**



*Pulley Collar  
 (Top View)*



*Net Tightener Collar  
 (Top View)*

**NOTE:** Tighten Nets and secure excess net rope out of players reach.



Date: 6/4/15  
 Rev: 4/28/20  
 Drawn: DH  
 Sheet: 3 of 4

**SPECIFICATION/INSTALLATION INSTRUCTIONS**

*COMPETITION VOLLEYBALL POST W/ NET TIGHTENER, SIDE PULLEY & ROPE CLAMP*

MODEL NO.

**LA-AGP-4, LA-AGP-4C**

# VOLLEYBALL

## INSTALLATION INSTRUCTIONS:

1. Dig holes per footing detail.
2. Install eyebolts. Models with -00 will have four eyebolts and rope clamps. Models with -21 have a net tightener & a side pulley collar. Secure collars in place with a hex wrench. Tighten set screw slightly to hold.
3. Set the posts in the holes & shim from below so that the top of the posts are 8'-6" from finished grade. Plumb & brace. Pour concrete to within 2" of finish grade. Allow concrete to set 3 days. Cover footings with soil or turf. Remove bracing.
4. Secure side pulley on Models-21 so the pulley is 4" from top of pipe & in line w/ eye bolt on other side. Use set screw to secure.
5. Tighten all nuts securely. Any excess threads on eyebolts should be cut & peened smooth.
6. If ordering an optional center post follow steps 1, 2, & 3.
7. When attaching nets, the "through" rope or cable on the top of all the nets allows the netting to slide back & forth. Note: Use net tie-offs on top & bottom of nets to center net & pull tight.

**NOTE: Footing sizes are based on average soil conditions. Loose and/or sandy soil is not average & footing sizes must be increased accordingly to meet local soil conditions.**

Packing Slip	Qty
<b>LA-AGP-4</b>	
4-1/2" O.D. 10'6" Post	2
<b>LA-AGP-4C</b>	
4-1/2" O.D. 10'6" Post	1

LA-AGP-4	Qty
Net Tightener Handle	1
4-1/2" Net Tightener Collar	1
5/16 x 3/4" Hex Bolt for Above	2
5/16" Flat Washer for Above	2
4-1/2" Side Pulley Collar	1
2-1/2" Cast Pulley	1
3/8" x 2" Eye Bolt	1
3/8" Nylock Nut for Side Pulley	1
3/8" x 5/8" Set Screw	2
3/8" x 5" Eye Bolt	3
3/8" Nylock Nut	3
Rope Clamp with S-Hook	1
5/16" x 2-1/2" S-Hook	1

LA-AGP-4C	Qty
Net Tightener Handle	1
4-1/2" Net Tightener Collar	1
5/16 x 3/4" Hex Bolt for Above	2
5/16" Flat Washer for Above	2
4-1/2" Side Pulley Collar	1
2-1/2" Cast Pulley	1
3/8" x 2" Eye Bolt	1
3/8" Nylock Nut for Side Pulley	1
3/8" x 5/8" Set Screw for Collar	1
Rope Clamp - Net Tightener	1
3/8" x 1" Eye Bolt	1
3/8" x 5" Eye Bolt	1
5/16" x 2-1/2" S-Hook	1
3/8" - Eye Nut	1



Date: 6/4/15  
 Rev: 4/28/20  
 Drawn: DH  
 Sheet: 4 of 4

### SPECIFICATION/INSTALLATION INSTRUCTIONS

COMPETITION VOLLEYBALL POST W/ NET TIGHTENER, SIDE PULLEY & ROPE CLAMP

MODEL NO.

**LA-AGP-4, LA-AGP-4C**