

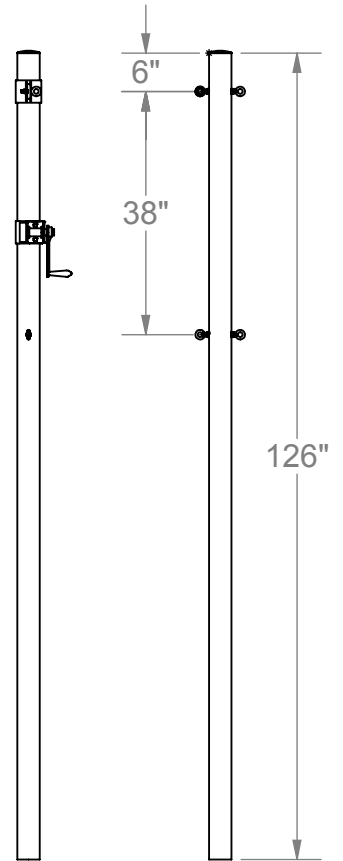
VOLLEYBALL

MODEL #LA-AGP-3

3-1/2" O.D. GALVANIZED **DELUXE** COMPETITION POST (168 lbs)

MODEL #LA-AGP-3C

3-1/2" O.D. GALVANIZED **DELUXE** COMPETITION POST (93 lbs)



GENERAL: Volleyball posts are available with fixed eyes, net tightener, and side pulley - depending on model selected. All models consist of a pair of posts, except center posts which are designed for side-by-side courts, & include only one post. All posts are equipped w/ fittings for proper net attachment.

NOTE: See page 3 & 4 for included accessories.

MATERIAL: All materials are selected for strength, durability and the ability to withstand years of exposure.

POSTS: A 3-1/2" O.D. heavy-duty galvanized steel post. All posts are fabricated from galvanized steel pipe. Overall length of all posts is 10'-6".

ROPE CLAMPS: A heavy-duty self-securing clamp, die-cast from rustproof "zamak" metal. Designed to take rope sizes 1/8" to 3/8". Designed to take stress off of rope, as it has a smooth grooved track for the rope.

NOTE: For use on nets with rope suspension.

NET TIGHTENER W/ REMOVABLE HANDLE: Permits easy and accurate tensioning of the net. Designed for use on nets with cable or rope suspension. Aluminum cast with a removable handle to lock in place. Pull pin and remove handle.

SIDE PULLEY: All welded construction of heavy gauge steel galvanized or powder coated. A 2-1/2" Dia. pulley on a 3/8" diameter shaft guides the net cable or rope to the tightener.

FIXED EYES: 3/8" diameter zinc-plated steel eyebolts for all models. Heavy steel eyebolts for center post double eyes. These fixed eyes are welded on square post models.

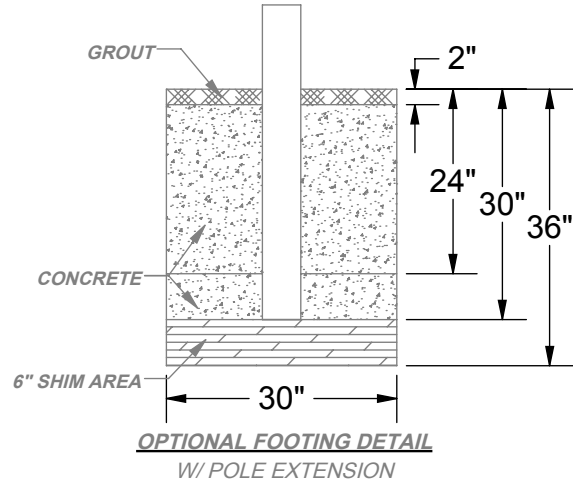
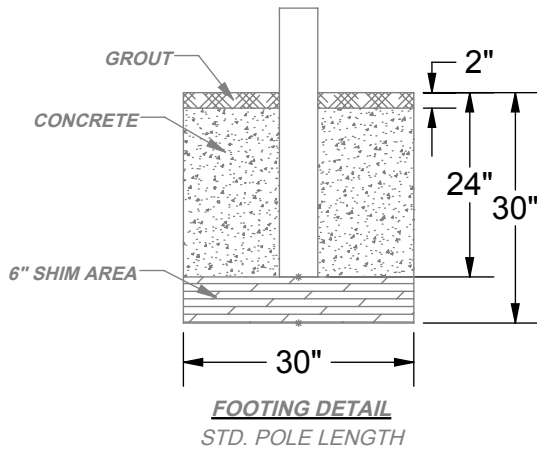
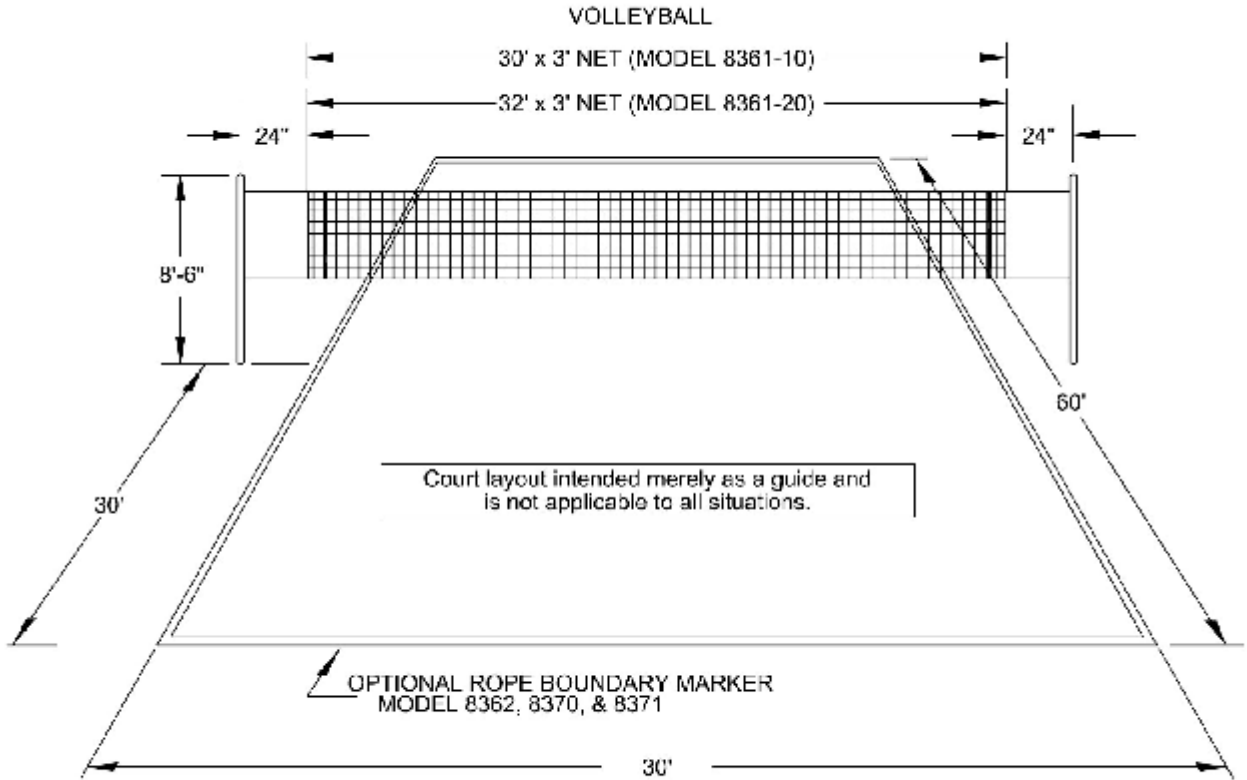
EYE NUT: 3/8" eye nuts have internal threads and are used for extending eyebolt for double sided eyes on center posts. Zinc finish.

FINISH: All welds are ground smooth and either treated with cold galvanized compound or prepared for powder coat depending on finish selected.

WARRANTY PERIOD: 10 years

	Date: 4/20/15	SPECIFICATION/INSTALLATION INSTRUCTIONS
	Rev: 4/28/20	
	Drawn: DH	MODEL NO.
	Sheet: 1 of 4	LA-AGP-3, LA-AGP-3C

VOLLEYBALL



Formula to calculate total depth of footing:
 $24'' (\text{Std}) + X (\text{Extension}) + 6'' = D (\text{Depth})$

NOTE: For Sand installation, add depth of sand to total.



Date: 4/20/15
 Rev: 4/28/20
 Drawn: DH
 Sheet: 2 of 4

SPECIFICATION/INSTALLATION INSTRUCTIONS

COMPETITION VOLLEYBALL POST W/ NET
 TIGHTENER, SIDE PULLEY & ROPE CLAMP

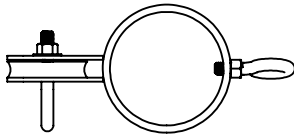
MODEL NO.

LA-AGP-3, LA-AGP-3C

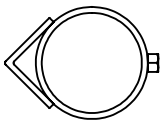
VOLLEYBALL



Pulley Top Cap
 Net Tightener Collar
 Pulley Collar

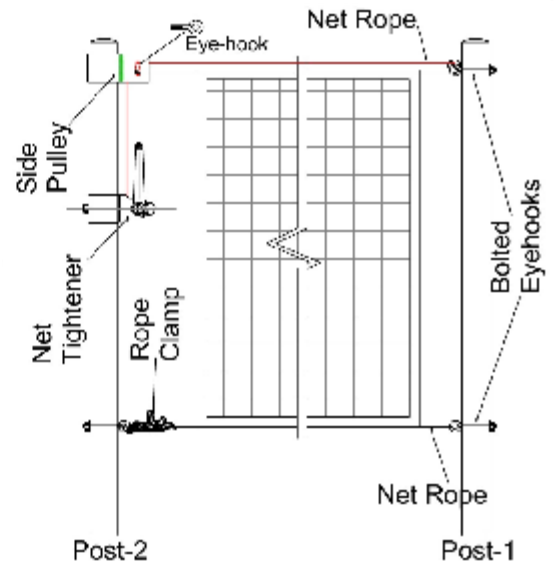


Pulley Collar
 (Top View)

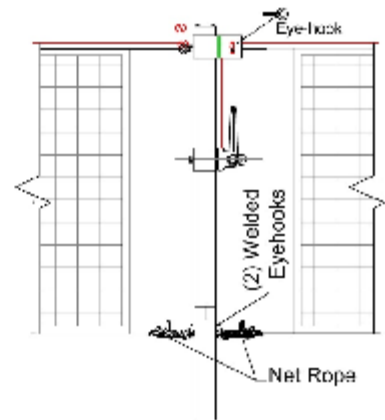


Net Tightener Collar
 (Top View)

FOR MODEL LA-AGP-3



NETS: Model 8361-10 & -20 have Top Cable/Bottom Rope
 Model 8362-10 & -20 have Top Rope/Bottom Rope



FOR MODEL LA-AGP-3C

NOTE: Tighten Nets and secure excess net rope out of players reach.

<p>www.LASTEELCRAFT.com 1-800-371-2438</p>	Date: 4/20/15	SPECIFICATION/INSTALLATION INSTRUCTIONS
	Rev: 4/28/20	
	Drawn: DH	MODEL NO.
	Sheet: 3 of 4	LA-AGP-3, LA-AGP-3C

VOLLEYBALL

INSTALLATION INSTRUCTIONS:

1. Dig holes per footing detail.
2. Install eyebolts. Models with -00 will have four eyebolts and rope clamps. Models with -21 have a net tightener & a side pulley collar. Secure collars in place with a hex wrench. Tighten set screw slightly to hold.
3. Set the posts in the holes & shim from below so that the top of the posts are 8'-6" from finished grade. Plumb & brace. Pour concrete to within 2" of finish grade. Allow concrete to set 3 days. Cover footings with soil or turf. Remove bracing.
4. Secure side pulley on Models-21 so the pulley is 4" from top of pipe & in line w/ eye bolt on other side. Use set screw to secure.
5. Tighten all nuts securely. Any excess threads on eyebolts should be cut & peened smooth.
6. If ordering an optional center post follow steps 1, 2, & 3.
7. When attaching nets, the "through" rope or cable on the top of all the nets allows the netting to slide back & forth. Note: Use net tie-offs on top & bottom of nets to center net & pull tight.

NOTE: Footing sizes are based on average soil conditions. Loose and/or sandy soil is not average & footing sizes must be increased accordingly to meet local soil conditions.

Packing Slip	Qty
2216-21	
3-1/2" O.D. 10'6" Post	2
2216-41	
3-1/2" O.D. 10'6" Post	1

LA-AGP-3	Qty
Net Tightener Handle	1
3-1/2" Net Tightener Collar	1
5/16 x 3/4" Hex Bolt for Above	2
5/16" Flat Washer for Above	2
3-1/2" Side Pulley Collar	1
2-1/2" Cast Pulley	1
3/8" x 2" Eye Bolt	1
3/8" Nylock Nut for Side Pulley	1
3/8" x 5/8" Set Screw	2
3/8" x 4" Eye Bolt	3
3/8" Nylock Nut	3
Rope Clamp - Net Tightener	1
5/16" x 2-1/2" S-Hook	1

LA-AGP-3C	Qty
Net Tightener Handle	1
3-1/2" Net Tightener Collar	1
5/16 x 3/4" Hex Bolt for Above	2
5/16" Flat Washer for Above	2
3-1/2" Side Pulley Collar	1
2-1/2" Cast Pulley	1
3/8" x 2" Eye Bolt	1
3/8" Nylock Nut for Side Pulley	1
3/8" x 5/8" Set Screw for Collar	1
Rope Clamp - Net Tightener	1
3/8 x 1" Eye Bolts	1
3/8"-16 x 4" Eye Bolt	1
3/8" Eye Nut	1
5/16" x 2-1/2" S-Hook	1



Date: 4/20/15
 Rev: 4/28/20
 Drawn: DH
 Sheet: 4 of 4

SPECIFICATION/INSTALLATION INSTRUCTIONS

COMPETITION VOLLEYBALL POST W/ NET TIGHTENER, SIDE PULLEY & ROPE CLAMP

MODEL NO.

LA-AGP-3, LA-AGP-3C