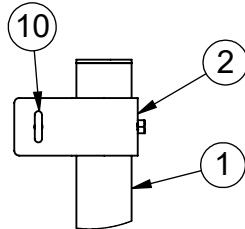
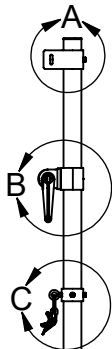
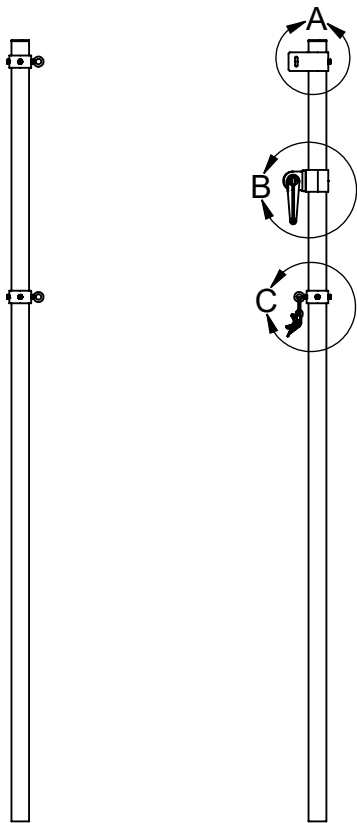
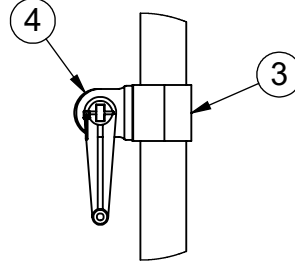


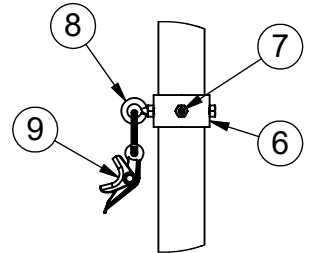
ITEM NO.	PART NUMBER	DESCRIPTION	QTY.
1	W2214GPOST	2-7/8" O.D. GAME POST AND CAP	2
2	CINETSIDE278	SIDE PULLEY COLLAR	1
3	CINETCOL278	ADJUSTABLE NET COLLAR	1
4	8321NT	NET TIGHTENER WITH REMOVABLE HANDLE	1
5	HWHB51634	5/16" x 3/4" HEX BOLT	2
6	GP278ADJC	ADJUSTABLE COLLAR FITS 2-7/8" O.D. POST	3
7	HWSCSS3858	3/8"-16 x 5/8" SS SET SCREW	8
8	HWEB381	3/8" x 1" TURNED EYE BOLT	3
9	604-044	ROPE CLAMP WITH S-HOOK	1
10	HWEB382	3/8" x 2" TURNED EYE BOLT	1
11	HWFLWA38	3/8" FLAT WASHER	1
12	HWLN38	3/8" NYLOK NUT ZINC	1
13	VCIPULLEY	SIDE COLLAR PULLEY	1
14	HWFLWA516	5/16" USS FLAT WASHER	2



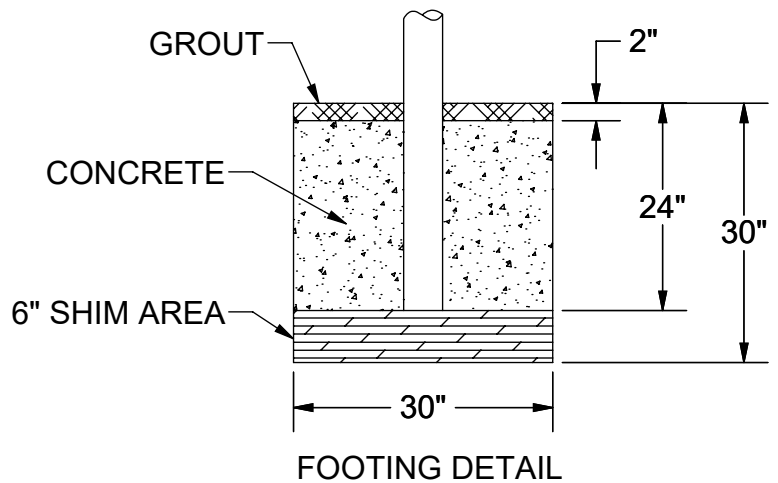
DETAIL A



DETAIL B



DETAIL C



NOTE: FOR SAND INSTALLATION, ADD THE DEPTH OF SAND TO TOTAL.



Date: 5/3/23

Rev:

Drawn: CW

Sheet: 1 of 1

PRODUCT NAME

2-7/8" O.D. HEAVY DUTY GAME POSTS

MODEL NO.

LA-AGP-25-SPEC