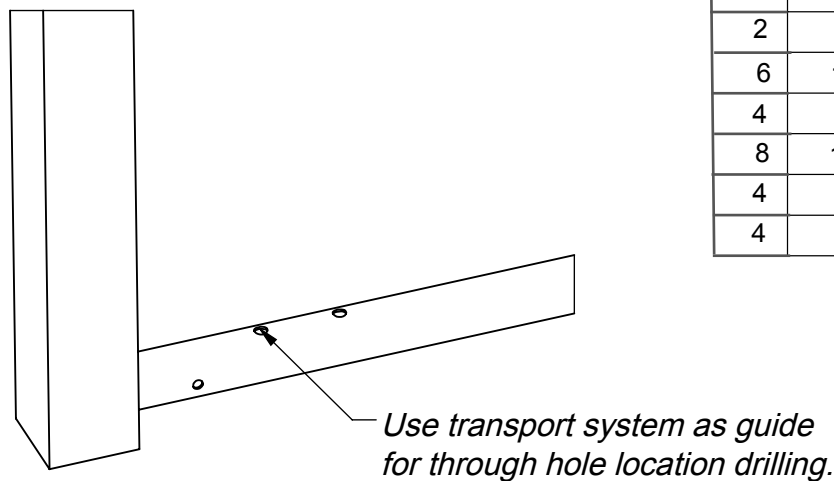
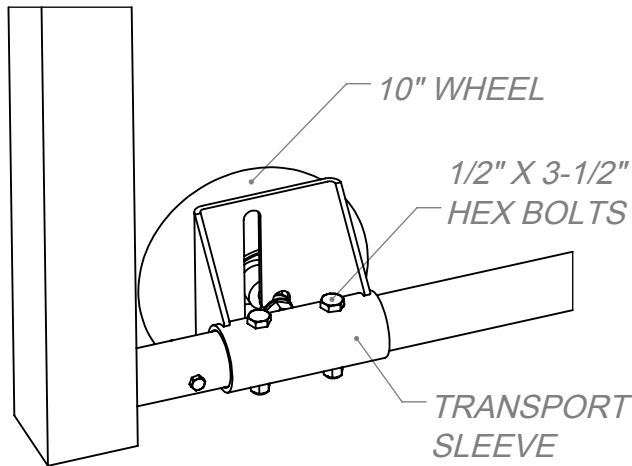
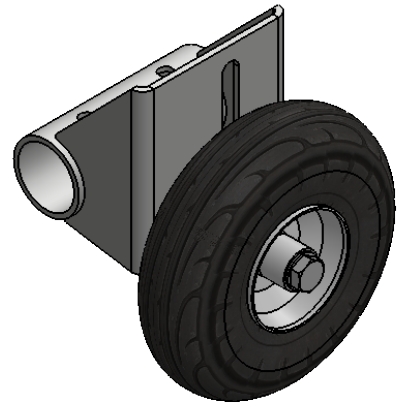


# **SOCCER TRANSPORT WHEEL**

Model# 8341-02  
 Model# 8341-04  
 Model# 8341-08



-02	-04	-08	DESCRIPTION
2	4	8	U-Shaped Wheel Bracket
2	4	8	10" x 2.5" Solid Rubber Wheel
2	4	8	5/8" x Heavy Hex Bolt
2	4	8	5/8" Nylok Nut
6	12	24	5/8" Washer
4	8	16	1/2" x 3-1/2" Hex Bolt
8	16	32	1/2" Washer
4	8	16	1/2" Nylock Nut
4	8	16	for 5/8" Shaft, 1" OD, 1/8"

## **INSTALLATION INSTRUCTIONS:**

1. Slide the Transport Wheel Assembly sleeve onto bottom of net support 4" away from inside of Upright Post.
2. Drill through holes on the bottom of net support pipe for through bolts to attach the transport wheel. On the (4 Wheel) option the second wheel placement would be 4" inside of Back Crossbar t-fittings.
3. Secure Sleeve system with 1/2" x 3-1/2" Bolts on the net supports.
4. Attach 10" Solid wheel to the Flange part of the Transport System with 5/8" x 4" Bolt, Flat washers and Nylok locknut (see page 2 for assembly sequence).

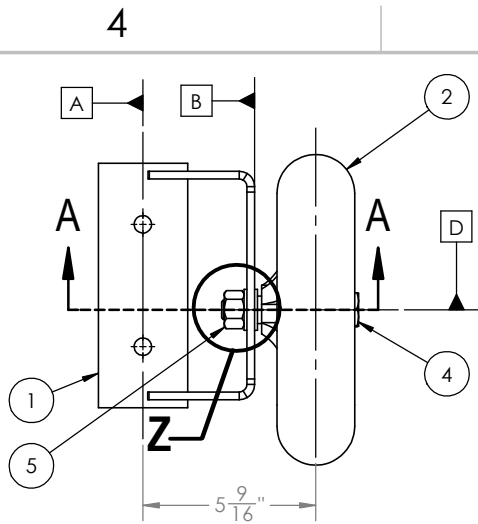


Date: 2/13/17  
 Rev: SS81617  
 Drawn: MT  
 Sheet: 1 of 2

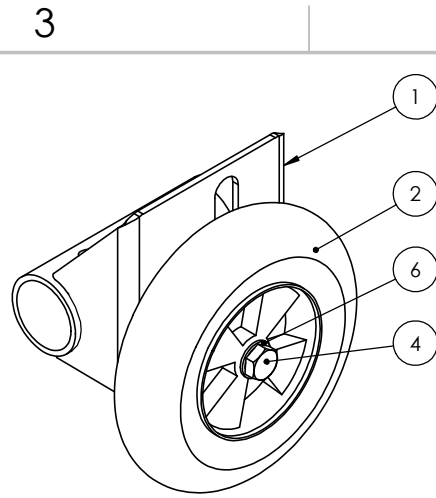
## **SPECIFICATION / INSTALLATION INSTRUCTIONS** *SOCCER TRANSPORT SYSTEM*

MODEL NO.

**LA-8341-02, -04 or -08**

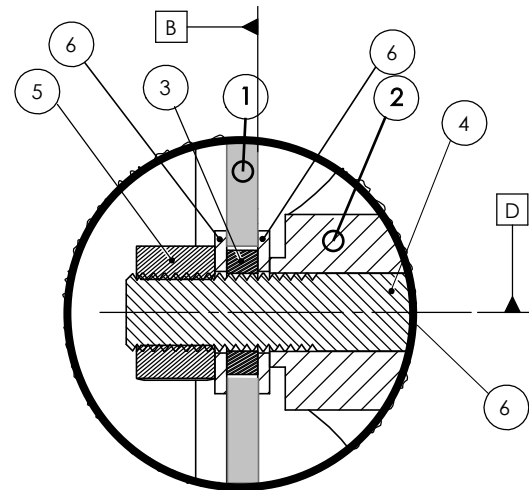


**PLAN VIEW**

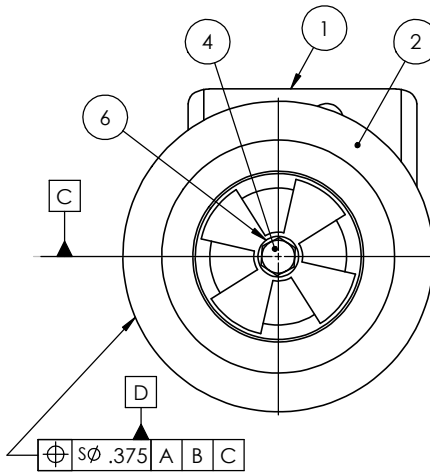
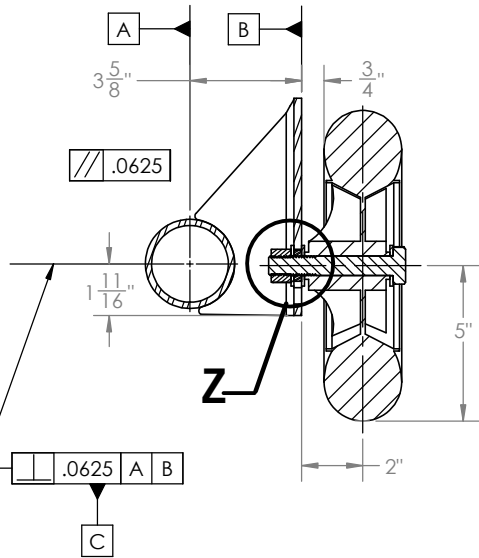


**ISOMETRIC**

ITEM NO.	PART NUMBER	DESCRIPTION	QTY.
1	U-Shaped Wheel Bracket		1
2	VCIWHEL10	10" x 2.5" SOLID RUBBER WHEEL	1
3	Spacer	for 5/8" Shaft Diameter, 1" OD, 1/8"	2
4	HWHB584	5/8-11 x 4" HEX HEAD BOLT	1
5	HWLN58	5/8-11 NYLOK INSERT LOCKNUT	1
6	HWFLWA58	5/8 FLAT WASHER ZINC	3



**DETAIL Z  
ENLARGED**



**SIDE VIEW**



Date: 2/13/17  
 Rev: SS81617  
 Drawn: MT  
 Sheet: 2 of 2

**SPECIFICATION / INSTALLATION INSTRUCTIONS**  
**SOCCER TRANSPORT SYSTEM**  
 MODEL NO.