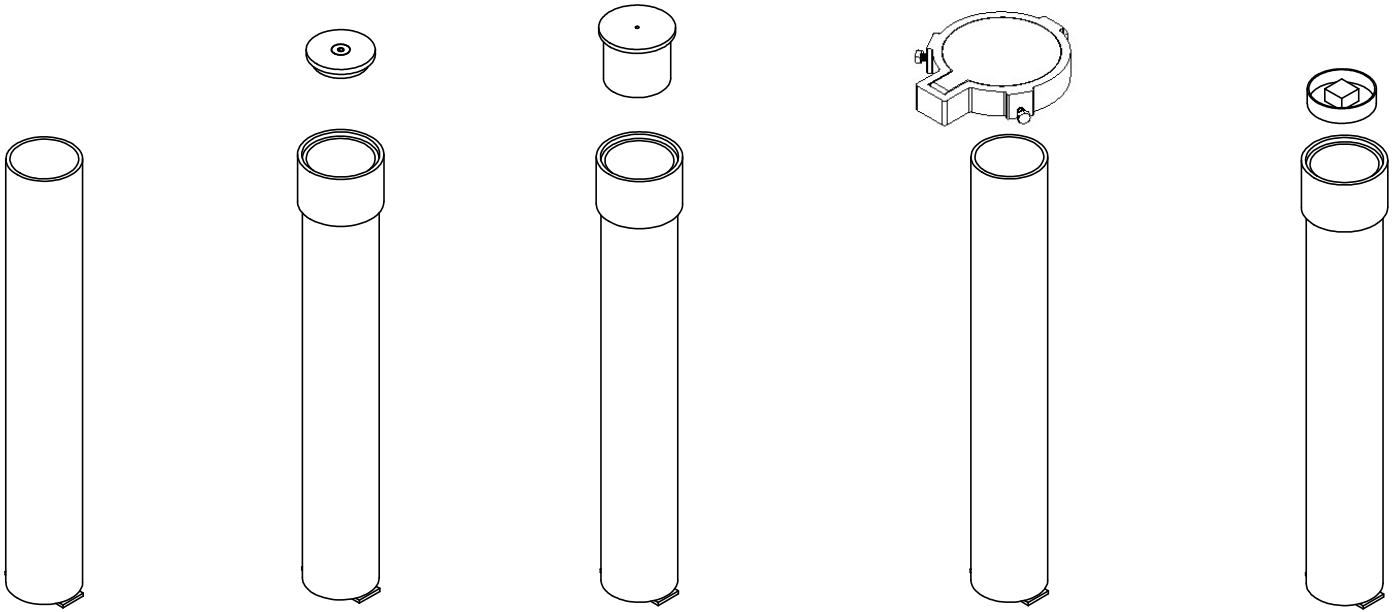


# # SPEC DWG

- #LA-8303-18 Ground Sleeve for 3-1/2" O.D. W/O Cap
- #LA-8303-18-N Ground Sleeve for 3-1/2" O.D. W/ Neoprene Cap
- #LA-8303-18-D Ground Sleeve for 3-1/2" O.D. W/ Drop in Cap
- #LA-8303-18-H Ground Sleeve for 3-1/2" O.D. W/ Hinged Cap
- #LA-8302-18-B Ground Sleeve for 3-1/2" O.D. W/ Brass Cap



-18 No Cap

-18-N Neoprene  
Cap

-18-D Drop in  
Cap

-18-H Hinged  
Cap

-18-B Brass  
Cap

SPECIFICATIONS: General: Game post sleeves permit removal of posts.

Materials: Sleeves are fabricated from ASTM A36 steel.

Hinged Cap (H): Cast aluminum cap and mating top ring attach to sleeve top.

Hinge caps can only be used on 2-3/8", 2-7/8" and 3-1/2" game post sleeves.

Neoprene Cap (N): Heavy neoprene rubber disc expands to seal top of sleeve when a socket head bolt is tightened causing compression of rubber. Making a weather resistant seal. Top of cap is heavy galvanized plate with counter sunk hole.

Brass Cap (B): Brass screw-in type cap with a square recessed hole for cap wrench.

Drop in Cap (D): A 1/4" thick lid with a center hole is welded to tube to keep large debris out of sleeve and prevents a tripping hazard.

Warranty: 3 years



Date: 8/6/20

Rev:

Drawn: JBN

Sheet: 1 of 2

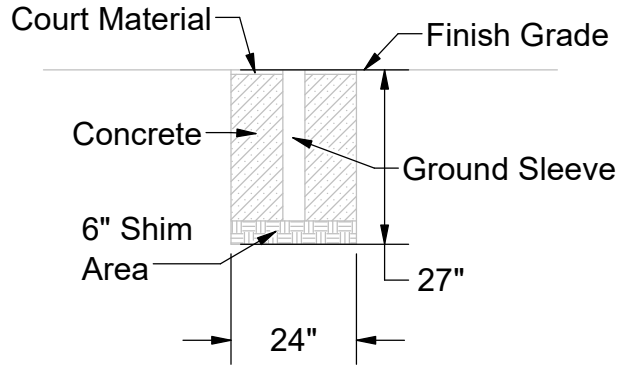
**SPECIFICATION / INSTALLATION INSTRUCTIONS**

3-1/2"x 18" Ground Sleeve

MODEL NO.

#8303-18, -D, -H, -N, -B

## Recomended Footing Detail



### INSTALLATION INSTRUCTIONS:


Dig recommended size hole(s) per sleeve detail. Put a minimum 6" layer of gravel in the bottom of the hole to allow for drainage.

Center sleeve in hole. Make certain bottom of sleeve is in contact with gravel so that bottom of sleeve will not be plugged with concrete. Add additional gravel if necessary to sleeve location to ensure correct height.

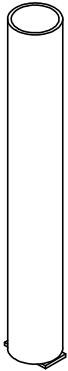
Sleeve(s) should be located so that the top of the sleeve is flush with the court surface.

Pour concrete to top and trowel smooth, crown slightly to allow water to drain away from sleeve. Allow concrete to set for approximately 3 days.

Note: Footing sizes are based on average soil conditions. Loose and/or sandy soil is not average and footing sizes must be increased accordingly to meet local soil conditions.

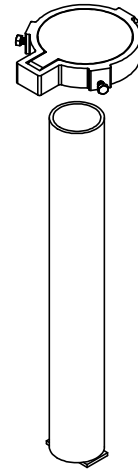
 <p><b>Steelcraft</b> ELEMENTS FOR LIFE OUTSIDE®</p> <p>www.LASTEELCRAFT.com 1-800-371-2438</p>	Date: 8/6/20	<b>SPECIFICATION / INSTALLATION INSTRUCTIONS</b>
	Rev:	
	Drawn: JBN	MODEL NO.
	Sheet: 2 of 2	#8303-18, -D, -H, -N, -B

# Pick Ticket

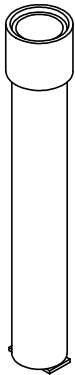


## Standard Sleeve and Hinge Cap

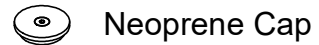
Description	Qty.
8303-18	
3-1/2" I.D. Sleeve 21" Long	1
8303-18-H	
3-1/2" I.D. Sleeve 21" Long	1
Hinge Cap Assembly	1
3/8" x 1-1/4" Bolts	3



## Neoprene and Drop in Cap



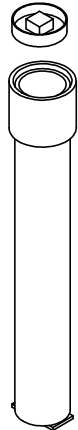
Description	Qty
8303-18-N	
3-1/2" I.D. Sleeve 21" Long	1
1/4" Thick Steel Lid	1
Neoprene Plug	1
3/8" Fender Washer	1
3/8" Nyloc Nut	1
3/8"x1-1/4" Flat Head Bolt	1
8303-18-D	
3-1/2" I.D. Sleeve 21" Long	1
Drop in Cap	1



Neoprene Cap



Drop in Cap



## Brass Cap

Description	Qty.
8303-18-B	
3-1/2" I.D. Sleeve 21" Long	1
Brass Cap	1