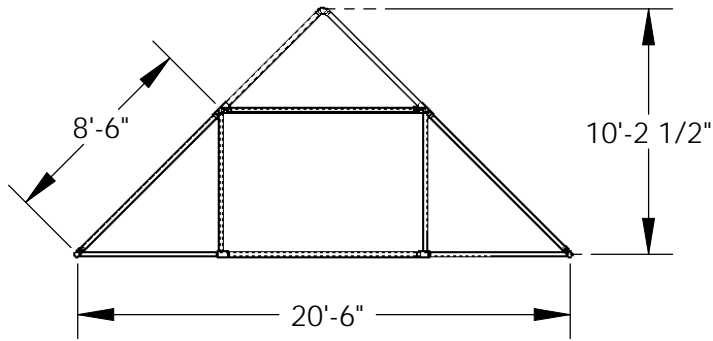


**NOTE: SPECIFICATIONS ARE SUBJECT TO CHANGE**

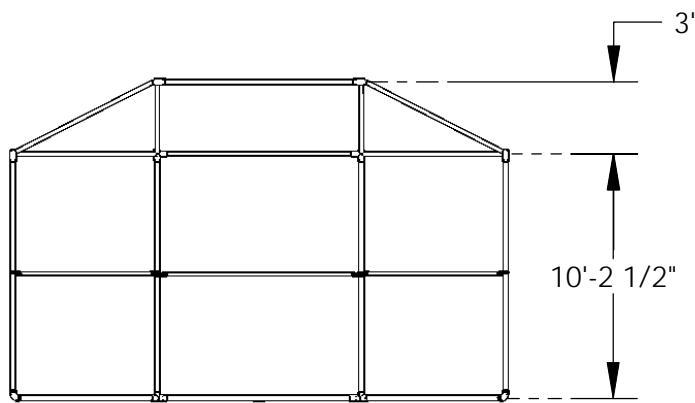
DO NOT SCALE DRAWING

DATE: 2/7/12

DRAWN BY: AFS

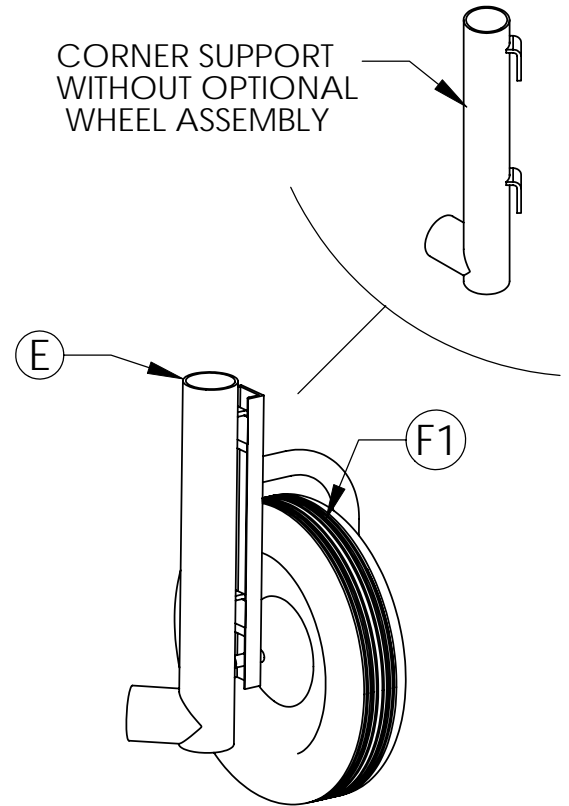


PLAN VIEW



FRONT VIEW

CORNER SUPPORT  
WITHOUT OPTIONAL  
WHEEL ASSEMBLY



#### ASSEMBLY INSTRUCTIONS

1. Assemble the two skids (E) on the ground to form a right angle. Slide the 3 way fittings (G) on each skid pipe. Note that there are right and left hand units.
2. Attach the two wheel attachment posts (AR & AL) to each end of the skid pipe. Notice there are left and right hand units.
3. Insert the cross brace pipe (D) into the 3 way fittings between the skids.
4. Assemble the four uprights (A) into the fittings and attach the two pre-fab corner sections (Z) and secure with the set screws.
5. Attach the front rail (D) into the pre-fab sections and secure with set screws.
6. Attach the three horizontal pipe braces (B) with the rail end fittings (H) and brace bands (I).
7. Straighten framework and securely tighten all set screws using a hammer and socket key.
8. Attach the 11 ga. fabric to the center hood section. Weave the two tension bars (M) into last loop on each side of the fabric and attach to the pre-fab frames with tension bands (K). Use six on each side. Stretch fabric tight.
9. Measure the distance on the vertical panels so you can cut the 9 ga. fabric to the proper length. Unweave one strand of wire and then insert a tension bar (L) into the last loop of each end. Place the panel between two posts with the tension bars adjacent to the post and attach in the same manner as the hood section using tension bands (J). Stretch fabric tight.
10. Assemble the remaining two panels in the same manner. Using the tie wire (N), fasten fabric to the horizontal braces (B), skids (E), pre-fab corners (Z) and bottom brace (D). PLAY BALL

**NOTE: SPECIFICATIONS ARE SUBJECT TO CHANGE**