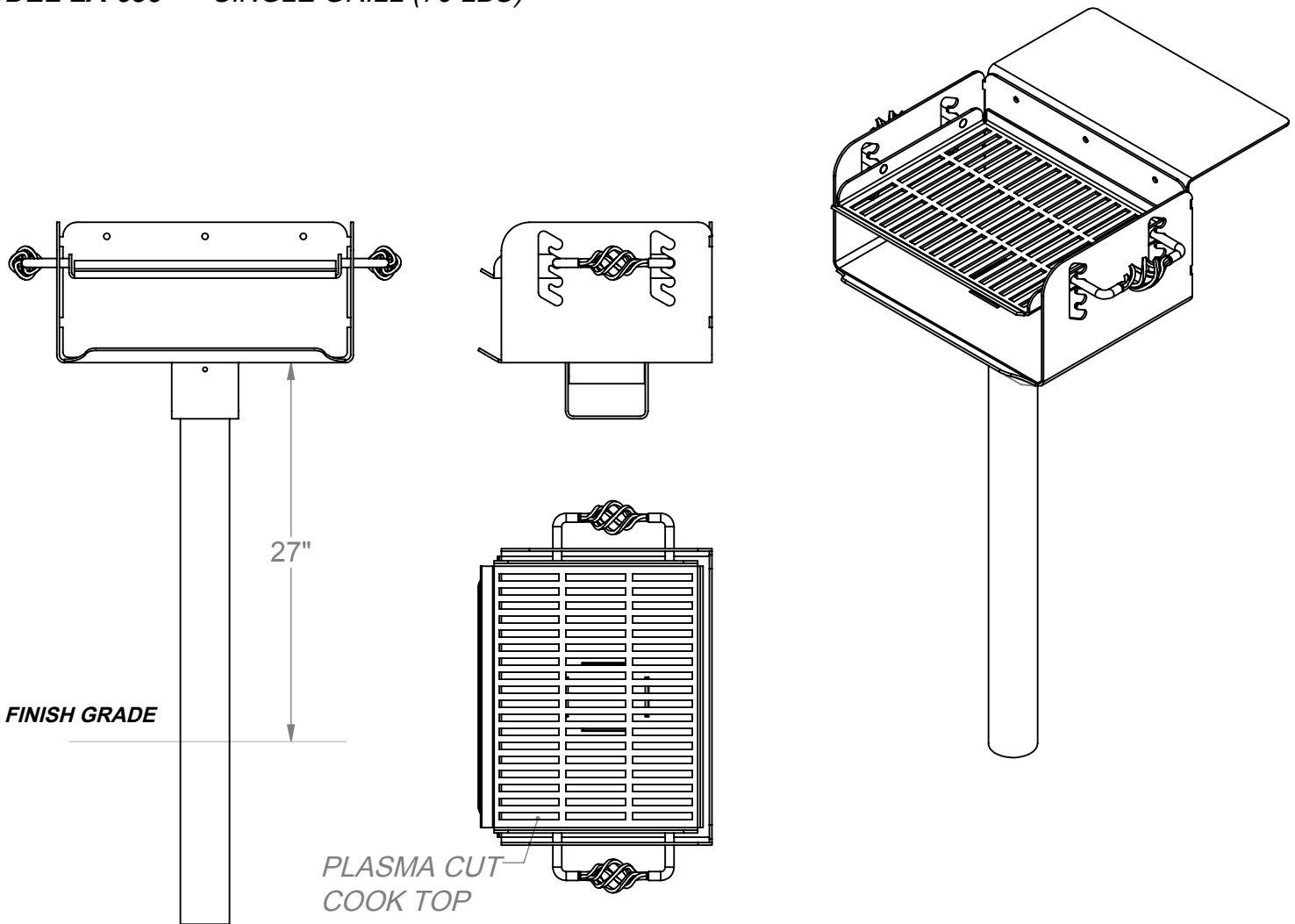


SITE FURNISHINGS

MODEL LA-630 - SINGLE GRILL (70 LBS)



SPECIFICATIONS:

With cool-grip handles, the grill can be rotated 360 degrees, and the cooking surface providing four different levels ranging from 3-1/2" to 8-3/4" above the fire.

Firebox: manufactured of 3/16" plate steel, reinforced with 3/16" back plate. Holes are provided on back of firebox for utility shelf installation. Painted with heat resistant, nontoxic black enamel. The single grill are supported by a 3-1/2" O.D. post,

Grates: manufactured 3/16" plasma cut plate in the shape of a cook top with welded 5/8" rod for handles; add a rolled flat bar heat sink handle welded to rods for suitable public use.

Utility Shelves: are steel plates that bolt to the side or rear of the grill with 5/16" x 3/4" hex bolts.
Warranty: 3 years



SCALE: N.T.S.	SPECIFICATION / INSTALLATION INSTRUCTIONS
DATE: 3/14/16	GRILLS
DRAWN: MT	
REV: SS81717	
SHEET: 1 of 2	LA-630

SITE FURNISHINGS

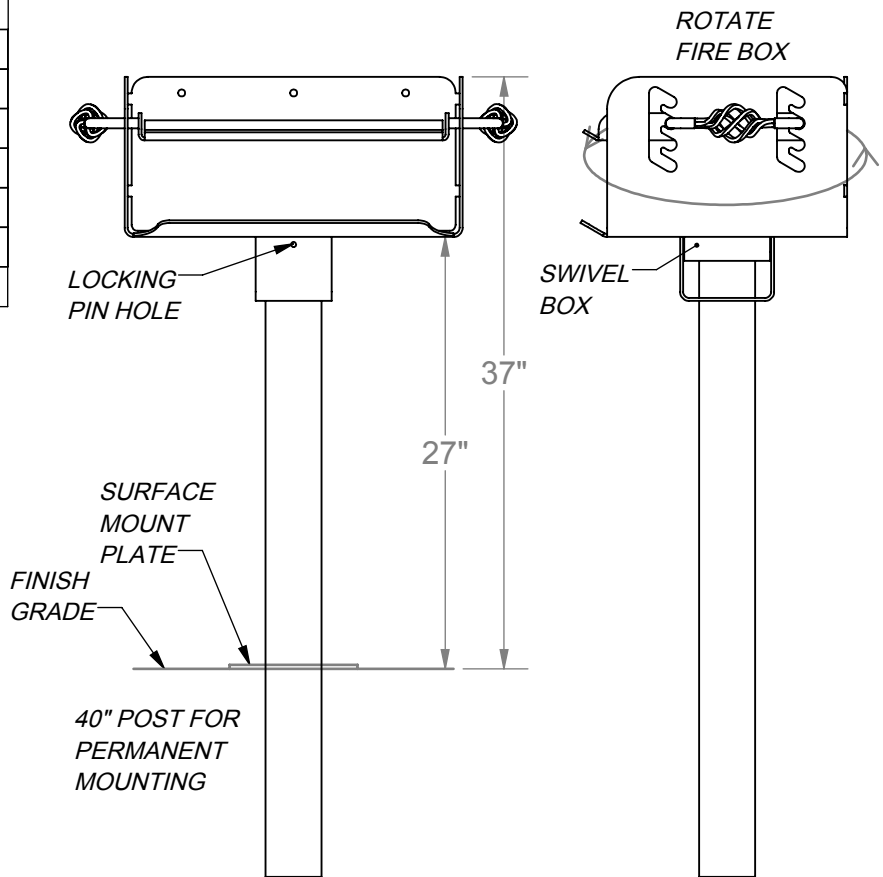
INSTALLATION:

Dig hole per footing detail. Take the end of the post base that has 2 holes in it and place the opposite end into the center of the hole and shim from below. Plumb the post and pour concrete up to within 2" of finish grade for field install or to finish grade. Allow concrete to set for 3 days before removal of bracing and completion of installation. Cover footing with turf.

Install the grill on the post base. Line up the holes in the grill swivel mechanism with the holes in the post base. Insert the locking pin provided through the aligned holes leaving an equal length of pin protruding from each side of the swivel mechanism. Rotate the grill one complete turn the locking pin will be bent and drawn into the swivel mechanism to lock the grill onto the post base.

For single grill shelf, attach to back of the grill with three (3) 3/8" x 3/4" Carriage Bolts with the heads on the inside grill.

COMPONENT DESCRIPTION	QTY
1/8" X 6" LOCKING PIN	1
OPTIONAL SHELF	
7" X 20" SHELF	1
3/8" X 3/4" HEX BOLT	3
3/8" FLAT WASHERS	6
3/8" LOCK WASHERS	3
3/8" NUT	3



TYPICAL FOOTING DETAIL

