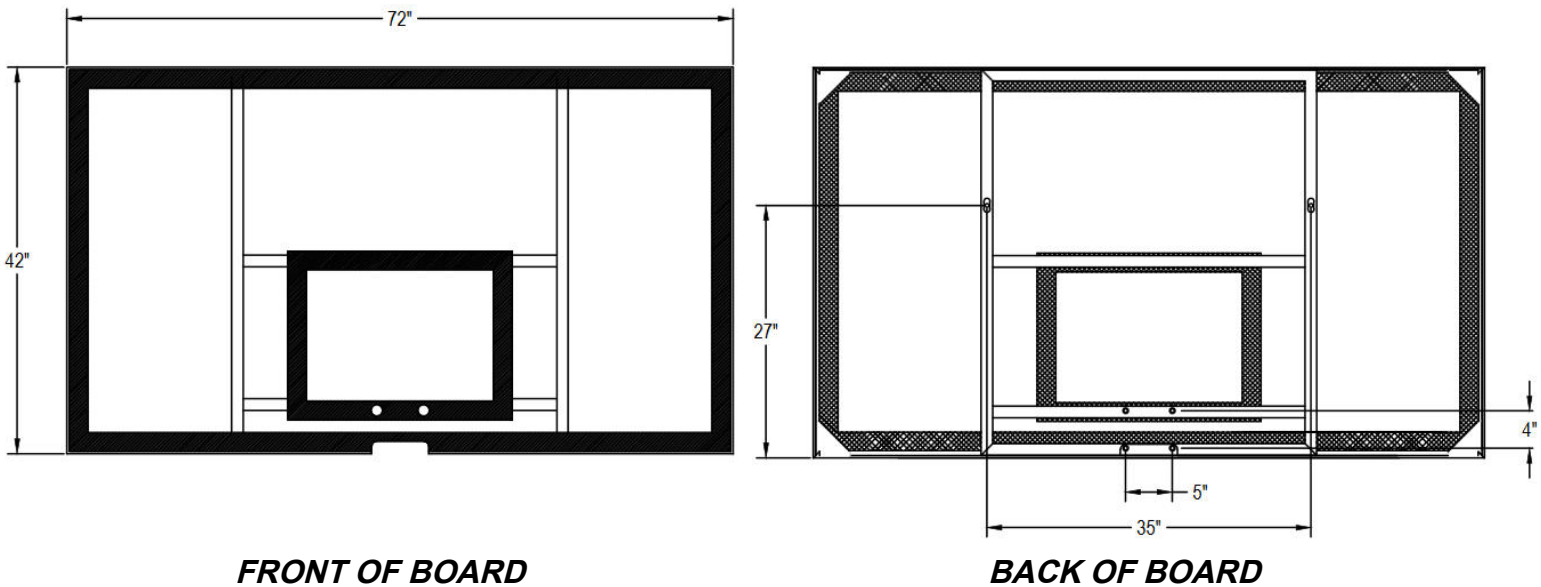


BASKETBALL BACKBOARD

MODEL #LA-27W HEAVY DUTY POLYCARBONATE WITH ALUMINUM FRAME AND WHITE TARGET (230 lbs)



Instructions for the installation of backboards to LA Steelcraft posts **ONLY**. For other manufacturer's posts and backboards, please consult the installation instructions provided by that manufacturer.

MATERIALS:

Polycarbonate Backboard: The Model #LA-27W is a rectangular shaped 1/2" polycarbonate with an aluminum frame. The frame is natural aluminum finish.

Warranty Period: Limited Lifetime Warranty

NOTE: The Rim and Backboard are to be mounted securely to the sleeve adapter (GNP). Attach the sleeve to the Post and secure with set screws and drive pin.


1. Align the Rim with the holes on the Backboard and mounting plate and attach with 3/8" x 3-1/2" Hex Head bolts, Flat Washers and Nylock Nuts.
2. Attach the assembled Rim/Backboard/Sleeve to the Gooseneck Post.
3. For **Adjustable Offset Goals**, attach the Rim and Backboard with supplied hardware to the adjustable offset. Use the other half clamp and attach the assembly to the bottom of the post. Once all the hardware is snug, slide the assembly up the post to the desired height.

*These backboards have been redesigned with a 6-hole pattern to allow changing the goals without removing the backboard.
NOTE: These two holes are used for attaching the backboard to the GNP Adapter plate and are only used to aid in installation. Always use the goal ring holes to secure the backboard to the GNP.

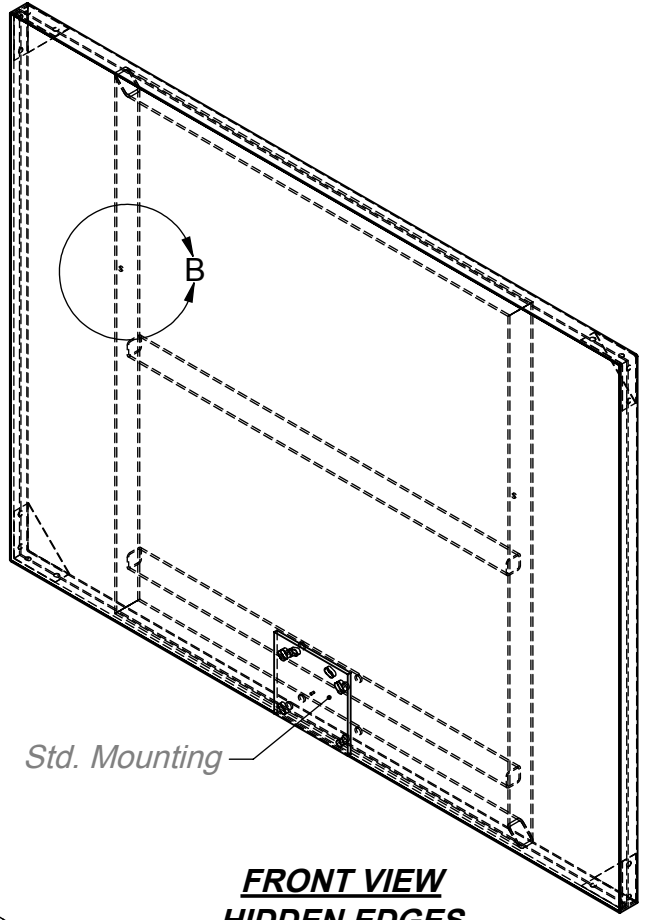
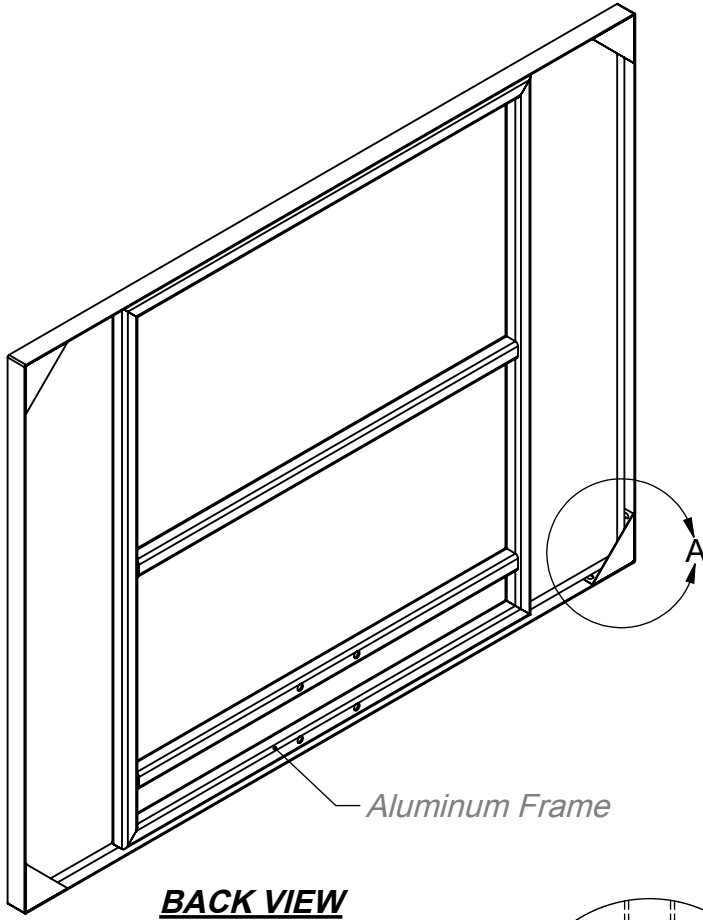
CAUTION: Flat washers must be used behind the plate when mounting the backboard.

4. Level and plumb the backboard and tighten all the hardware. Cut and Peen any excess threads protruding out of nuts.
5. Attach the diagonal brace to the channel slot on the backboard with 3/8" x 1" Hex Bolts.

NOTE: Diagonal braces vary depending on which upright post is ordered.
Hardware comes separately with each item (i.e. rim, backboard and post)

 <p>www.LASTEELCRAFT.com 1-800-371-2438</p>	Date: 4/13/15	SPECIFICATION / INSTALLATION INSTRUCTIONS
	Rev: 12/13/22	
	Drawn: MT	MODEL NO.
	Sheet: 1 of 3	LA-27W

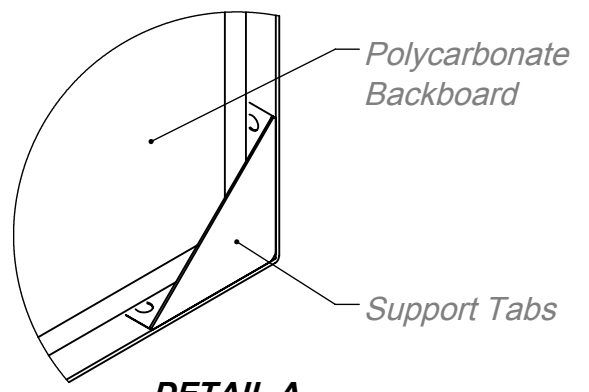
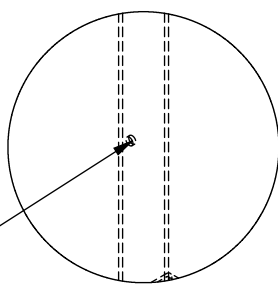
BASKETBALL BACKBOARD



Aluminum Frame

Std. Mounting

Threaded for
Brace Install



STANDARD HARDWARE KIT FOR USE ON ALL BACKBOARD INSTALLATIONS		Qty
3/8-16 x 3-1/2" GR5 Fully Threaded Hex Bolt Zinc		4
3/8-16 x 1" GR5 C/S Zinc Hex Bolt (Cap Screw)		2
3/8-16 x 2" Flat Head Socket Cap Screw 18.8 SS		7
3/8" USS Flat Washer Zinc		15
3/8-16 Insert Nylock Zinc (2500)		11



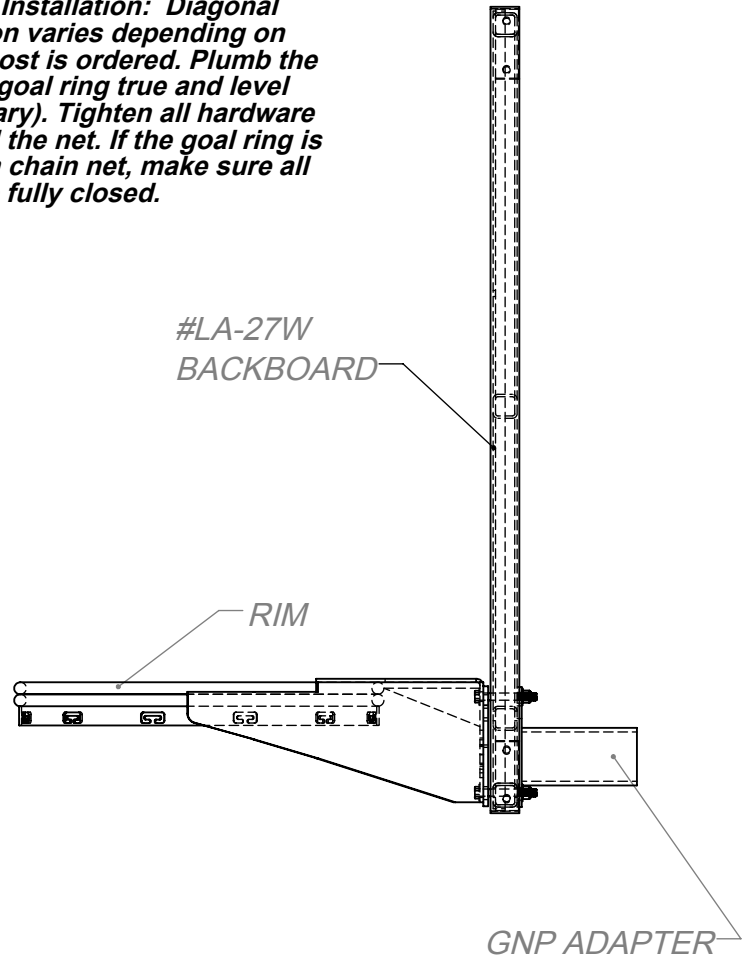
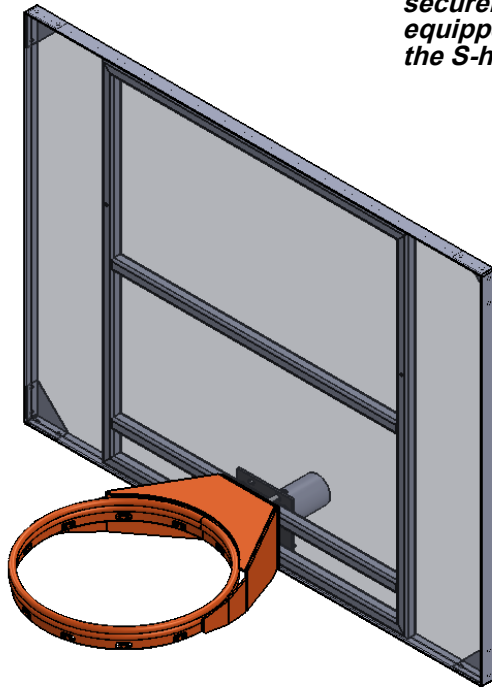
Date: 4/13/15
 Rev: 12/13/22
 Drawn: MT
 Sheet: 2 of 3

SPECIFICATION / INSTALLATION INSTRUCTIONS
 POLYCARBONATE WITH
 ALUMINUM FRAME BACKBOARD
 MODEL NO.
LA-27W

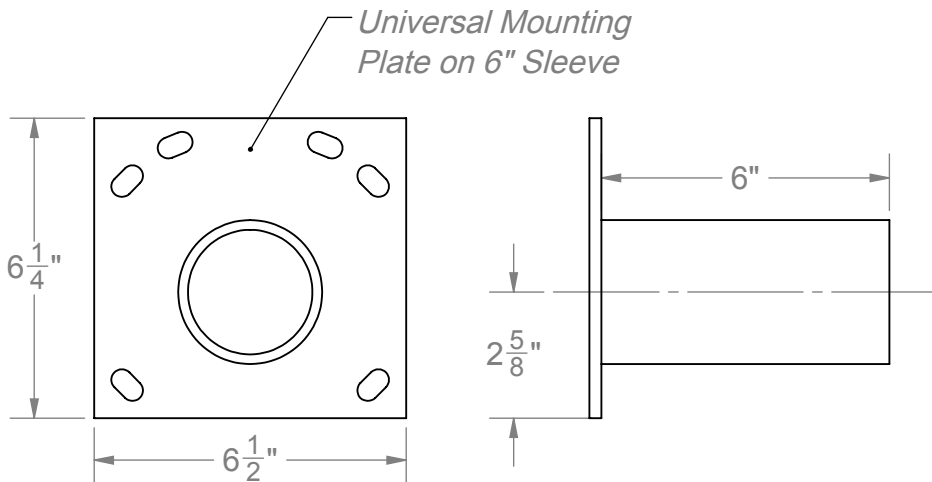
BASKETBALL BACKBOARD

MODEL #LA-27W HEAVY DUTY POLYCARBONATE WITH ALUMINUM FRAME & WHITE TARGET (230 lbs)

Diagonal Brace Installation: Diagonal brace installation varies depending on which upright post is ordered. Plumb the backboard and goal ring true and level (shim if necessary). Tighten all hardware securely. Install the net. If the goal ring is equipped with a chain net, make sure all the S-hooks are fully closed.



NOTE: Sleeves supplied with Gooseneck Post ONLY



Post Size	Sleeve Size
3.5"	3"
4.5"	4"
5.563"	5"
6.625"	6"



Date: 4/8/15
 Rev: 12/13/22
 Drawn: MT
 Sheet: 3 of 3

SPECIFICATION / INSTALLATION INSTRUCTIONS

POLYCARBONATE WITH ALUMINUM FRAME BACKBOARD

MODEL NO.

LA-27W