

2" x 4" PORTABLE NCAA REGULATION SOCCER GOALS

4'2"H x 6' W

#LA-2239-06G STEEL - WITH END FRAMES - 4'2"H x 6' W (392 LBS) PER SET
#LA-2239-06A ALUMINUM - WITH END FRAMES - 4'2"H x 6' W (294 LBS) PER SET

SPECIFICATIONS:

NCAA soccer goal which provides a 4'2"H x 6' W front inside opening.
Crossbar and Uprights - a single length of 2" x 4" rectangular steel or aluminum tubing, powder coated white. Crossbar is bolted to uprights.

All hardware is zinc-plated or Stainless Steel for long, rust free service.

Warranty period: 10 years

INSTALLATION:

1. Lay Upright/Corner Assemblies 6' apart parallel to each other on the ground with drilled pipe stubs facing up
2. Assemble crossbar to upright/corner assemblies with 3/8"-16 x 3/4" Button Head Bolts
3. Sleeve a T-fitting onto the bottom leg of net support. Make sure set screws will face up.
4. Insert net supports over 2" O.D. drilled inner sleeve stubs on corner assembly units
5. Align holes provided and attach with 3/8" x 3" hex head bolts
6. Attach spreader pipe between net supports. Insert spreader pipe into T-fittings and align holes, bolt through with 3/8" x 3-1/2" hex head bolts and tighten. NOTE: Position spreader pipe as far back on long leg as possible and tighten 3/8" set screws with hex key
7. Tighten all bolts and set screws, cut and peen any excess threads
8. Carefully rotate goal into upright position. Repeat steps for other goal
9. ***OPTIONAL TRANSPORT ASSEMBLY***
Bolt Adjustable Wheel Bracket & Pnuematic Wheels in drilled hole locations

ANCHORING SYSTEM (AUGER ANCHOR)

1. Connect chain to portable goal. Connect opposite end to auger. Pull chain tight then stick auger in ground surface at an slight angle away from goal. (See Page 5, Auger Picture) Twist auger all the way in-ground so the top hook/chain are slightly exposed.

NOTE:

Footing sizes are based on average soil conditions. Loose and/or sandy soil is not average and footing sizes must be increased according to local soil conditions. See local building codes.



Date: 7/26/2017

Rev: A

Drawn: BDYE

Sheet: 1 of 5

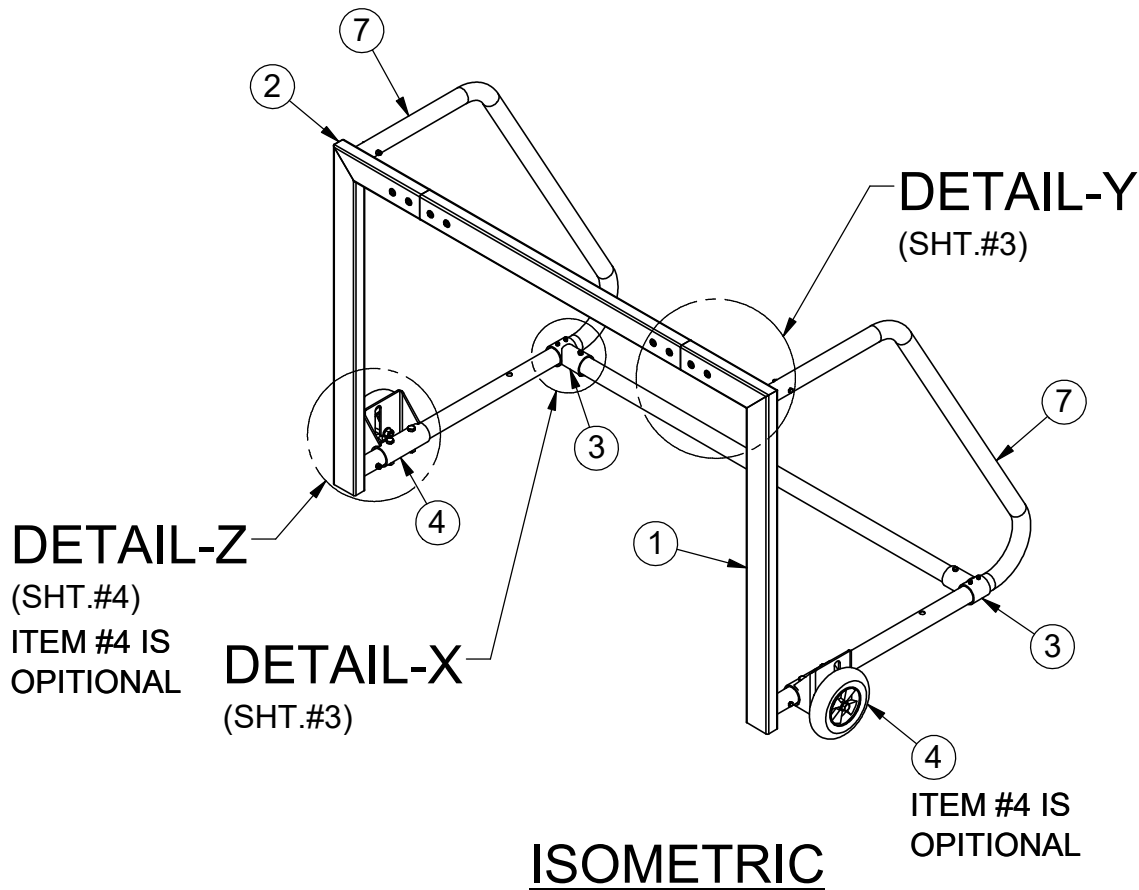
PRODUCT NAME

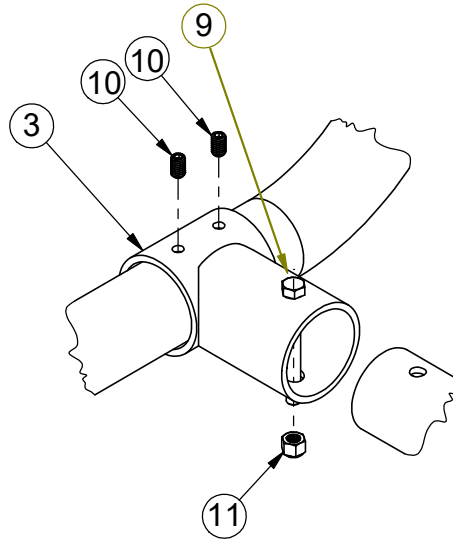
SOCCKER GOAL

MODEL NO.

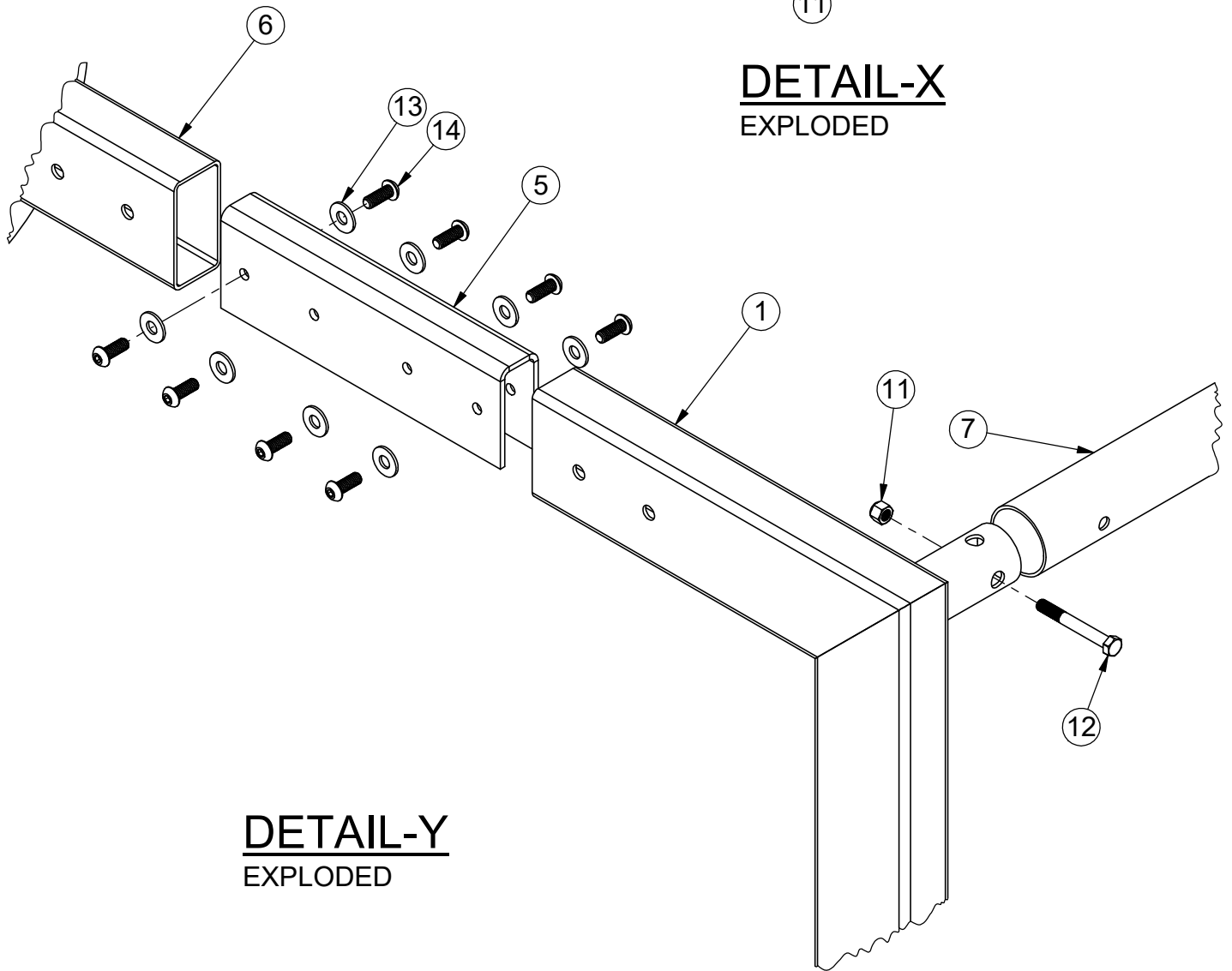
SPEC LA-2239-06A-06G

ITEM NO.	PART NUMBER	DESCRIPTION	QTY.
1	SAS-502-2239-4-G	RIGHT UPRIGHT	2
2	SAS-502-2239-4-G	LEFT UPRIGHT	2
3	SAS-501-2200-G	2 7/8"x 3 1/6" WALL TEE FITTING	4
4	SAS-516-2200-8341 *OPTIONAL*	TRANSPORT SYSTEM ASSY	4
5	PL-045-2238-39-S-PC	CHANNEL SLEEVE (2x4)	4
6	RCT-023-2238-39-G	2x4 RECTANGLE TUBE (CROSS BAR)	2
7	RT-001-2200-06G-4	NET SUPPORT TUBE	4
8	RT-037-2200-72G	SPREADER PIPE	2
9	HWHB38312	3/8-16 X 3 1/2 GR5 HEX BOLT ZINC	4
10	HWSC3858	3/8"-16 x 5/8" SET SCREW	8
11	HWLN38	3/8"-16 ZINC LOCK NUT	12
12	HWHB383	3/8"x16 x 3" ZINC HEX BOLT	8
13	HWFLWASS38	3/8" SS FLAT WASHER	32
14	HWBHSS3834	3/8"-16 x 3/4" SS BUTTON HEAD BOLT	32
15	HWHB12312 *OPTIONAL*	1/2-13x3.5 GR5 C/S ZINC HEX BOLT	8
16	HWLN12 *OPTIONAL*	1/2-13 NYLOK INSERT LOCKNUT ZINC (1500)	8
17	VCI8382	HEAVY DUTY SOCCER NET 4X6 - 3MM WHITE (PAIR)	1
18	8373	SOCCER NET TIES NYLON VELCRO (24 PER SET)	1

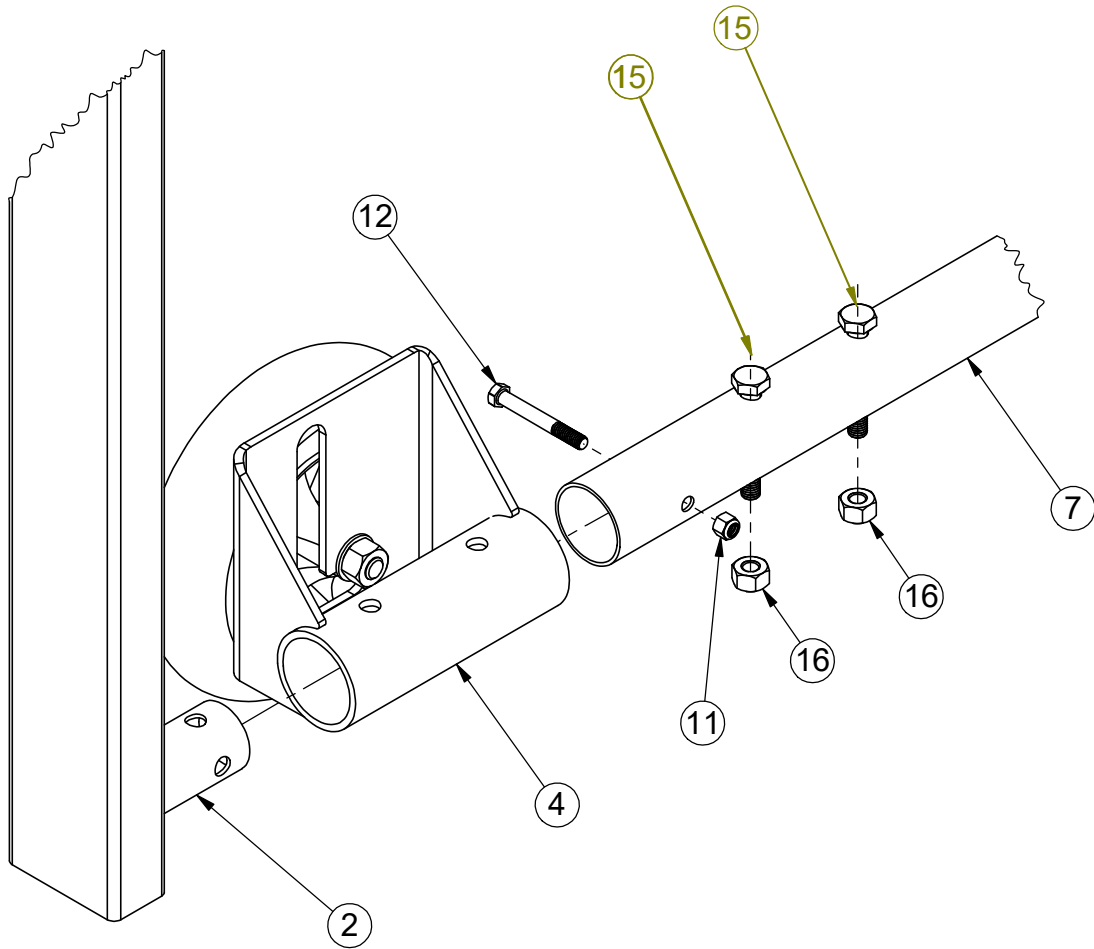




DETAIL-X
EXPLODED



DETAIL-Y
EXPLODED



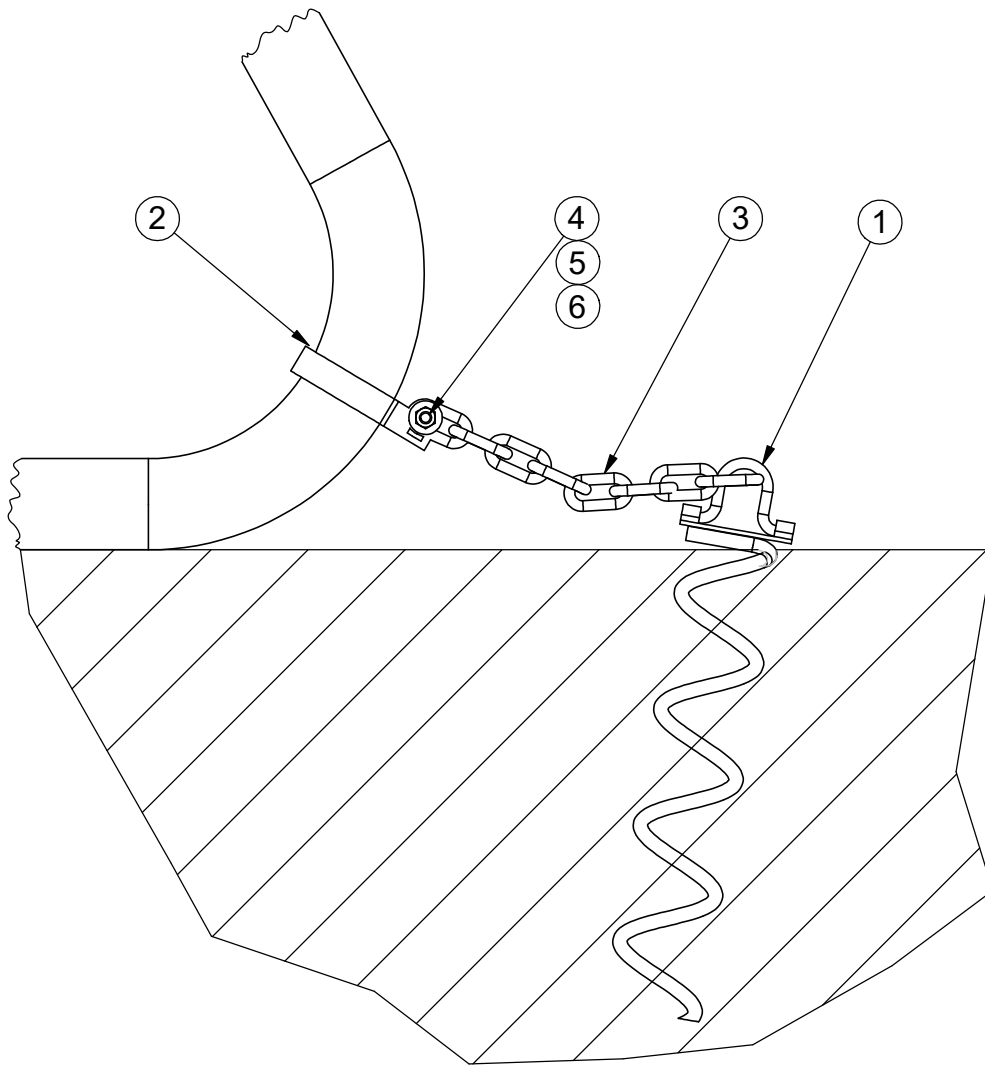
DETAIL-Z

EXPLODED

OPTIONAL TRANSPORT ASSEMBLY

BOM

ITEM NO.	PART NUMBER	DESCRIPTION	QTY.
1	VCI8347	AUGER	4
2	VCIBB238	2 3/8" BRACE BAND	4
3	HWCHAIN316	24" CHAIN	4
4	HWCB5161	5/16"x 1" CARRIAGE BOLT	4
5	HWFLWA516	5/16" FLAT WASHER	4
6	HWLN516	5/16" NYLOCK NUT	4



SIDE VIEW



Date: 7/26/2017
 Rev: A
 Drawn: BDYE
 Sheet: 5 of 5

PRODUCT NAME
SOCCER GOAL
 MODEL NO.
SPEC LA-2239-06A-06G