

## 2" x 4" PORTABLE NCAA REGULATION SOCCER GOALS

8' H x 24' W

#LA-2239-00G STEEL - WITH END FRAMES - 8'H x 24'W (917 LBS) PER SET  
#LA-2239-00A ALUMINUM - WITH END FRAMES - 8'H x 24'W (668 LBS) PER SET

### SPECIFICATIONS:

NCAA soccer goal which provides a 8'H x 24'W front inside opening.

Crossbar and Uprights - a single length of 2" x 4" rectangular steel or aluminum tubing, powder coated white. Crossbar is bolted to uprights.

All hardware is zinc-plated or Stainless Steel for long, rust free service.

Warranty period: 10 years

### INSTALLATION:

1. Lay Upright/Corner Assemblies 24' apart parallel to each other on the ground with drilled pipe stubs facing up
2. Assemble crossbar to upright/corner assemblies with 3/8"-16 x 3/4" Button Head Bolts.
3. Sleeve a T-fitting onto the bottom leg of net support. Make sure set screws will face up.
4. Insert net supports over 2" O.D. drilled inner sleeve stubs on corner assembly units
5. Align holes provided and attach with 3/8" x 3" hex head bolts
6. Attach spreader pipe between net supports. Insert spreader pipe into T-fittings and align holes, bolt through with 3/8" x 3-1/2" hex head bolts and tighten. NOTE: Position spreader pipe as far back on long leg as possible and tighten 3/8" set screws with hex key
7. Tighten all bolts and set screws, cut and peen any excess threads
8. Carefully rotate goal into upright position. Repeat steps for other goal
9. **\*OPTIONAL TRANSPORT ASSEMBLY\***  
Bolt Adjustable Wheel Bracket & Pneumatic Wheels in drilled hole locations

### ANCHORING SYSTEM (AUGER ANCHOR)

1. Connect chain to portable goal. Connect opposite end to auger. Pull chain tight then stick auger in ground surface at an slight angle away from goal. (See Page 5, Auger Picture) Twist auger all the way in-ground so the top hook/chain are slightly exposed.

### NOTE:

Footing sizes are based on average soil conditions. Loose and/or sandy soil is not average and footing sizes must be increased according to local soil conditions. See local building codes.



Date: 7/26/2017

Rev: A

Drawn: BDYE

Sheet: 1 of 5

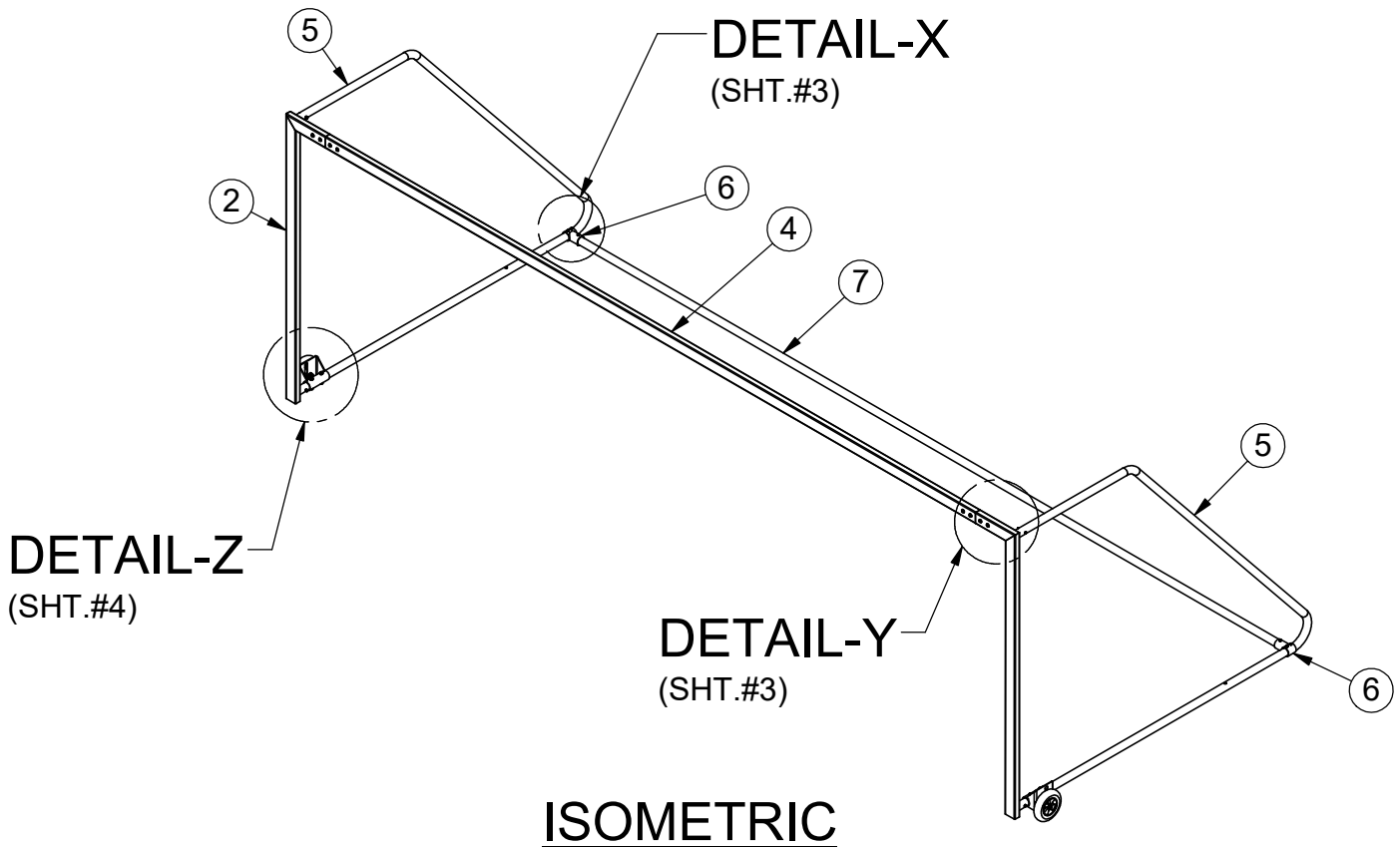
PRODUCT NAME

SOCCKER GOAL

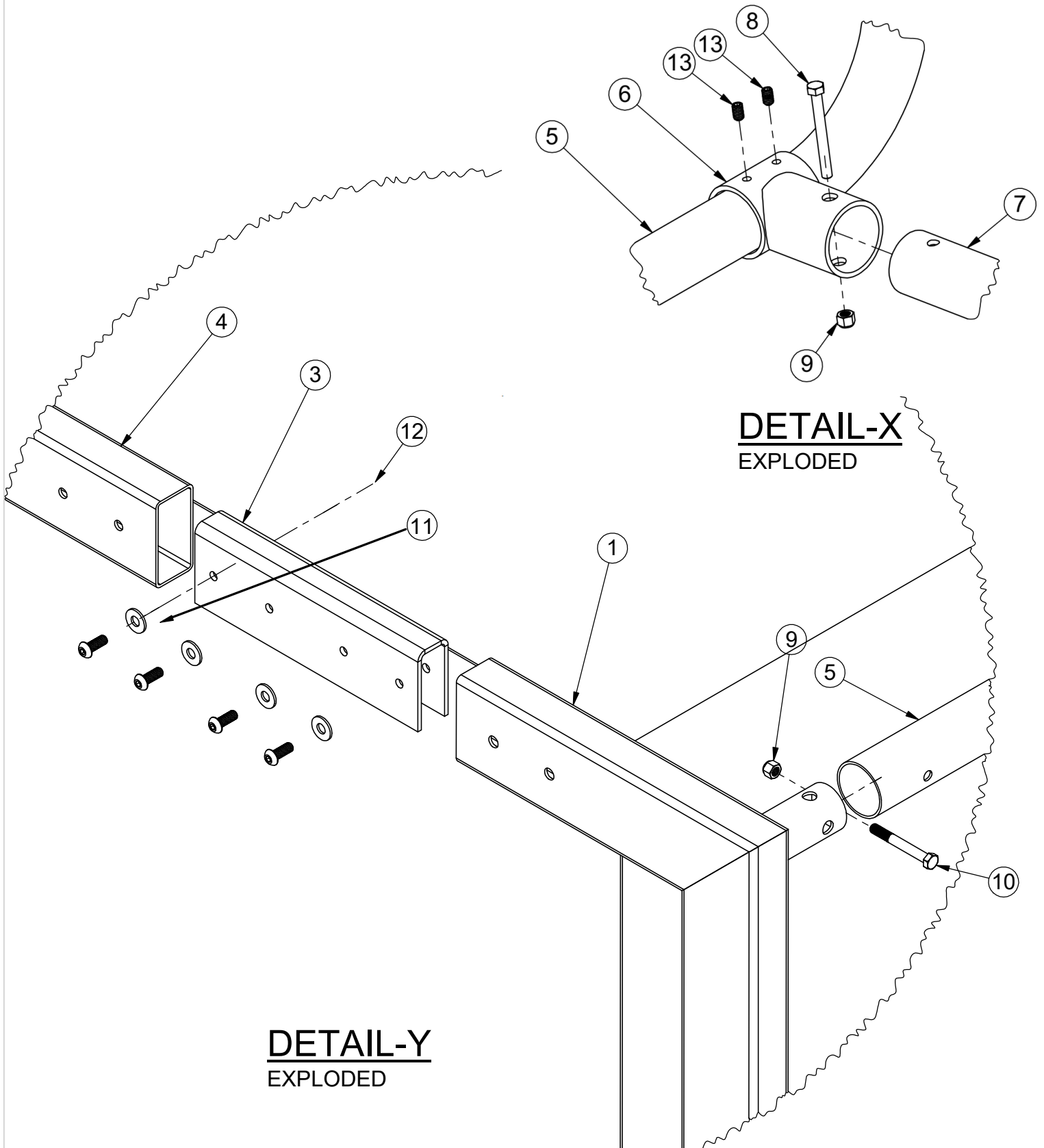
MODEL NO.

SPEC LA-2239-00A-00G

ITEM NO.	PART NUMBER	DESCRIPTION	QTY.
1	SAS-502-2238-39	RIGHT UPRIGHT	2
2	SAS-502-2238-39	LEFT UPRIGHT	2
3	PL-045-2238-39-S-PC	CHANNEL SLEEVE (2x4)	4
4	RCT-023-2238-39	2x4 RECTANGLE TUBE (CROSS BAR)	2
5	RT-004-2200-G-8	NET SUPPORT TUBE	4
6	SAS-501-2200-G (CITFIT)	2 7/8"x 3/16" WALL TEE FITTING	4
7	RT-037-2200-288G	SPREADER PIPE	2
8	HWHB38312	3/8-16 X 3 1/2 GR5 HEX BOLT ZINC	4
9	HWLN38	3/8"-16 ZINC LOCK NUT	12
10	HWHB383	3/8"x16 x 3" ZINC HEX BOLT	8
11	HWFLWASS38	3/8" SS FLAT WASHER	32
12	HWBHSS3834	3/8"-16 x 3/4" SS BUTTON HEAD BOLT	32
13	HWSC3858	3/8"-16 x 5/8" SET SCREW	8
14	SAS-516-2200-8341	<b>*OPTIONAL*</b> TRANSPORT SYSTEM ASSY	4
15	HWHB12312	<b>*OPTIONAL*</b> 1/2-13x3.5 GR5 C/S ZINC HEX BOLT	8
16	HWLN12	<b>*OPTIONAL*</b> 1/2-13 NYLOK INSERT LOCKNUT ZINC	8
17	VCI8366	HEAVY DUTY SOCCER NET, 8 X 24 (PR)	1
18	8373	SOCCER NET TIES (24 PER SET)	1



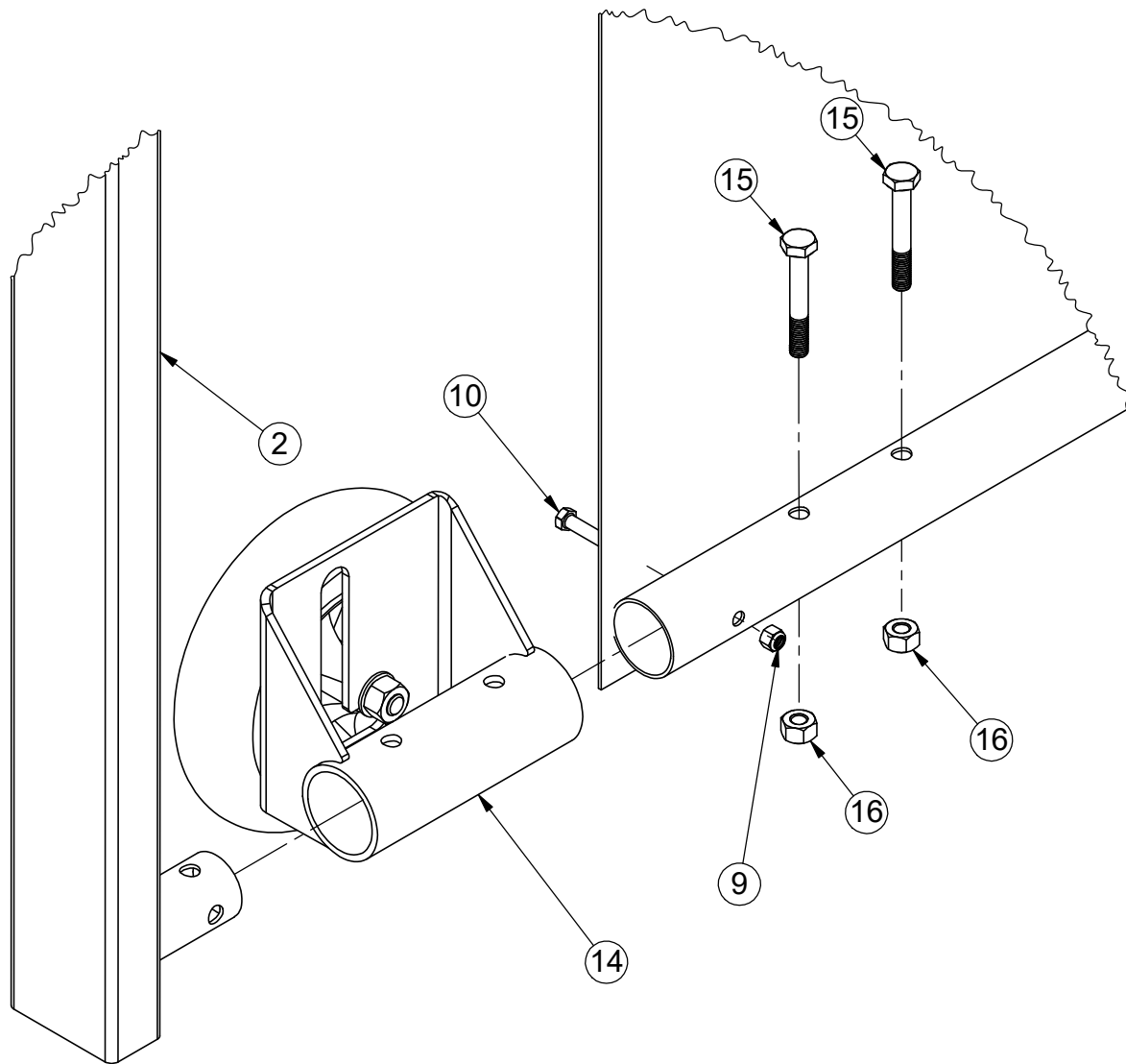
Date: 7/26/2017	PRODUCT NAME
Rev: A	<b>SOCCER GOAL</b>
Drawn: BDYE	MODEL NO.
Sheet: 2 of 5	<b>SPEC LA-2239-00A-00G</b>



**DETAIL-Y**  
EXPLODED

**DETAIL-X**  
EXPLODED

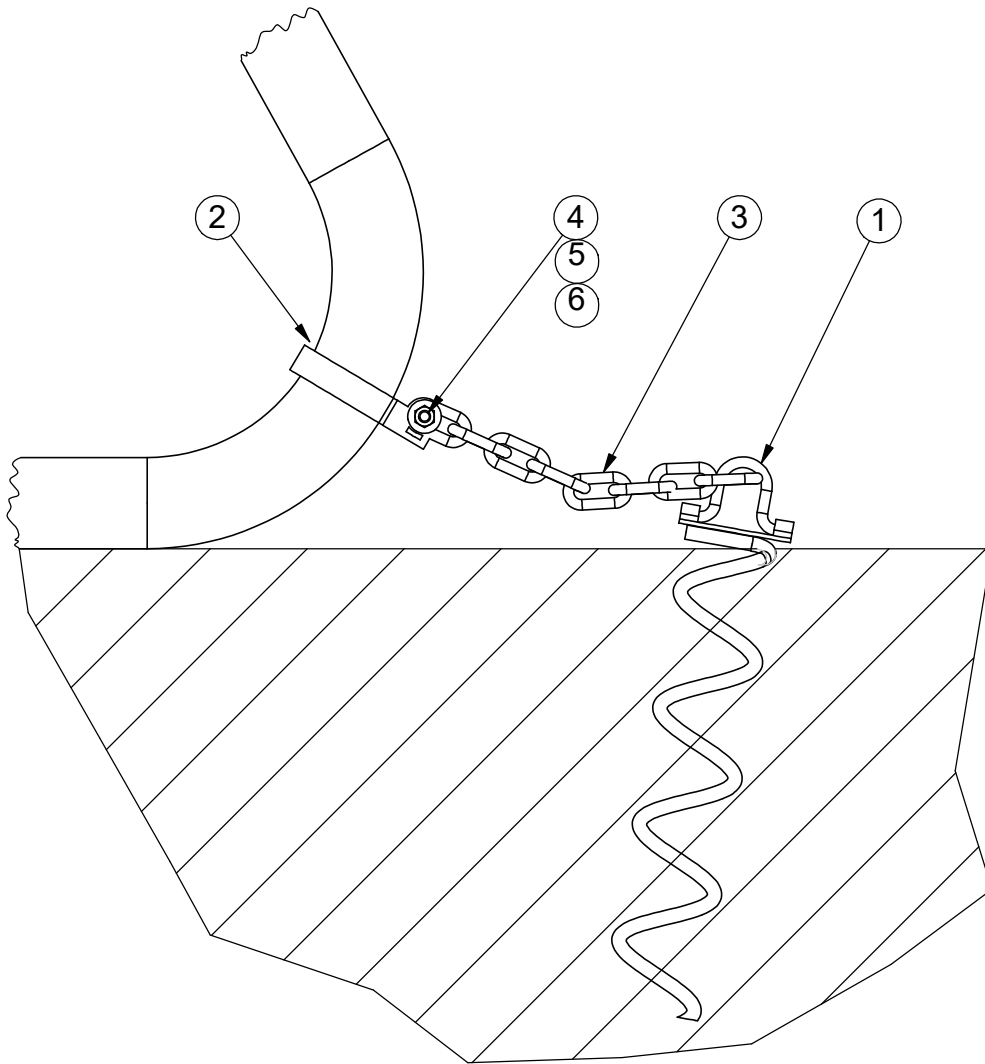
Date: 7/26/2017	PRODUCT NAME
Rev: A	<b>SOCCER GOAL</b>
Drawn: BDYE	MODEL NO.
Sheet: 3 of 5	<b>SPEC LA-2239-00A-00G</b>



**DETAIL-Z**  
EXPLODED

BOM

ITEM NO.	PART NUMBER	DESCRIPTION	QTY.
1	PI-001-8347-S	AUGER	4
2	VCIBB238	2 3/8" BRACE BAND	4
3	HWCHAIN316	24" CHAIN	4
4	HWCB5161	5/16"x 1" CARRIAGE BOLT	4
5	HWFLW516	5/16" FLAT WASHER	4
6	HWLN516	5/16" NYLOCK NUT	4



**SIDE VIEW**



Date: 7/26/2017  
 Rev: A  
 Drawn: BDYE  
 Sheet: 5 of 5

**PRODUCT NAME**  
**SOCCER GOAL**  
**MODEL NO.**  
**SPEC LA-2239-00A-00G**