

## 2" x 4" PERMANENT NCAA REGULATION SOCCER GOALS

7'H x 21' W

#LA-2238-22G STEEL - TWO NET SUPPORTS - 7'H x 21' W (536 LBS) PER SET  
#LA-2238-22A ALUMINUM - TWO NET SUPPORTS - 7'H x 21' W (286 LBS) PER SET

### SPECIFICATIONS:

NCAA soccer goal which provides a 7'H x 21' W front inside opening.  
Crossbar and Uprights - a single length of 2" x 4" rectangular steel or aluminum tubing, powder coated white. Crossbar is bolted to uprights.

All hardware is zinc-plated for long, rust free service.

Warranty period: 10 years

### INSTALLATION:

1. Dig footing holes per detail. Required footing size may vary depending on local building codes
2. Lay Upright/Corner Assemblies parallel on the ground according to width of goal ordered with pipe stubs facing up
3. Assemble crossbar to upright/corner assemblies with 3/8"-16 x 3/4" Button Head Bolts & 3/8" Washers. Use hex key wrench to tighten.
4. Tighten all bolts and set screws, cut and peen any excess threads.
5. Carefully rotate goal into upright position. Lower goal into footing holes, plumb and brace.
6. Brace so crossbar bottom is 7' above finish grade depending on model ordered. Shim from below if needed.
7. Pour concrete to within 2" of finished grade and let set for 3 days.
8. Cover concrete footings with soil/turf, synthetic turf, or any appropriate field surfacing material.



Date: 7/26/2017

Rev: A

Drawn: BDYE

Sheet: 1 of 3

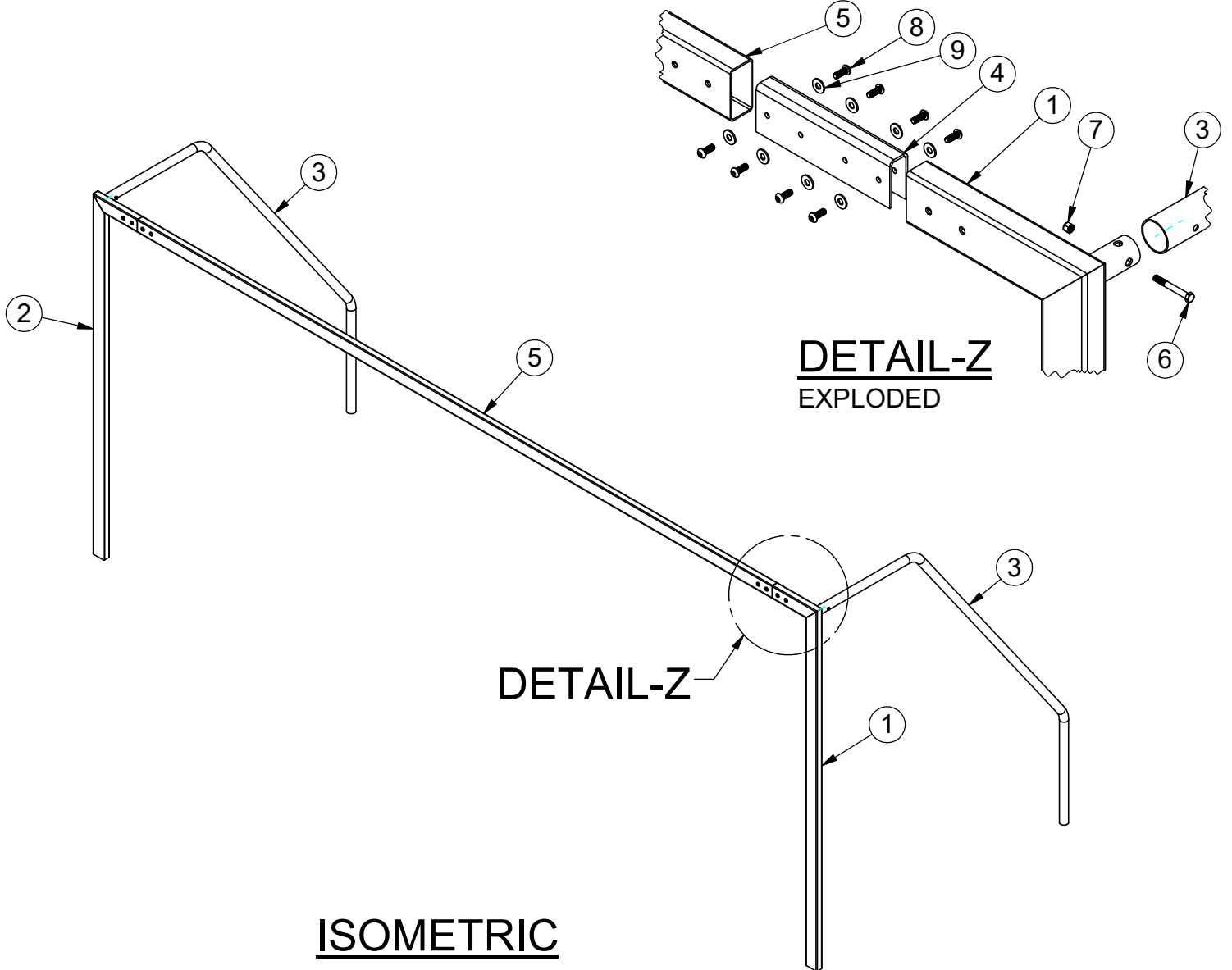
PRODUCT NAME

**SOCCER GOAL**

MODEL NO.

**SPEC LA-2238-22A-22G**

ITEM NO.	PART NUMBER	DESCRIPTION	QTY.
1	SAS-514-2238-7-21A,22A	RIGHT UPRIGHT	2
2	SAS-514-2238-7-21A,22A	LEFT UPRIGHT	2
3	RT-043-2200-22G-7	NET SUPPORT TUBE	4
4	PL-045-2238-39-S-PC	CHANNEL SLEEVE (2X4)	4
5	RCT-026-2238-39-21G,22G-21	2X4 RECTANGLE TUBE (CROSS BAR)	2
6	HWHB383	3/8"X16 X 3" ZINC HEX BOLT	4
7	HWLN38	3/8"-16 ZINC LOCK NUT	4
8	HWBHSS3834	3/8"-16 X 3/4" SS BUTTON HEAD BOLT	32
9	HWFLWASS38	3/8" SS FLAT WASHER	32
10	VC18380	HEAVY DUTY SOCCER NET,7 X 21(PR)	1
11	8373	SOCCER NET TIES (24 PER SET)	1



Date: 7/26/2017

Rev: A

Drawn: BDYE

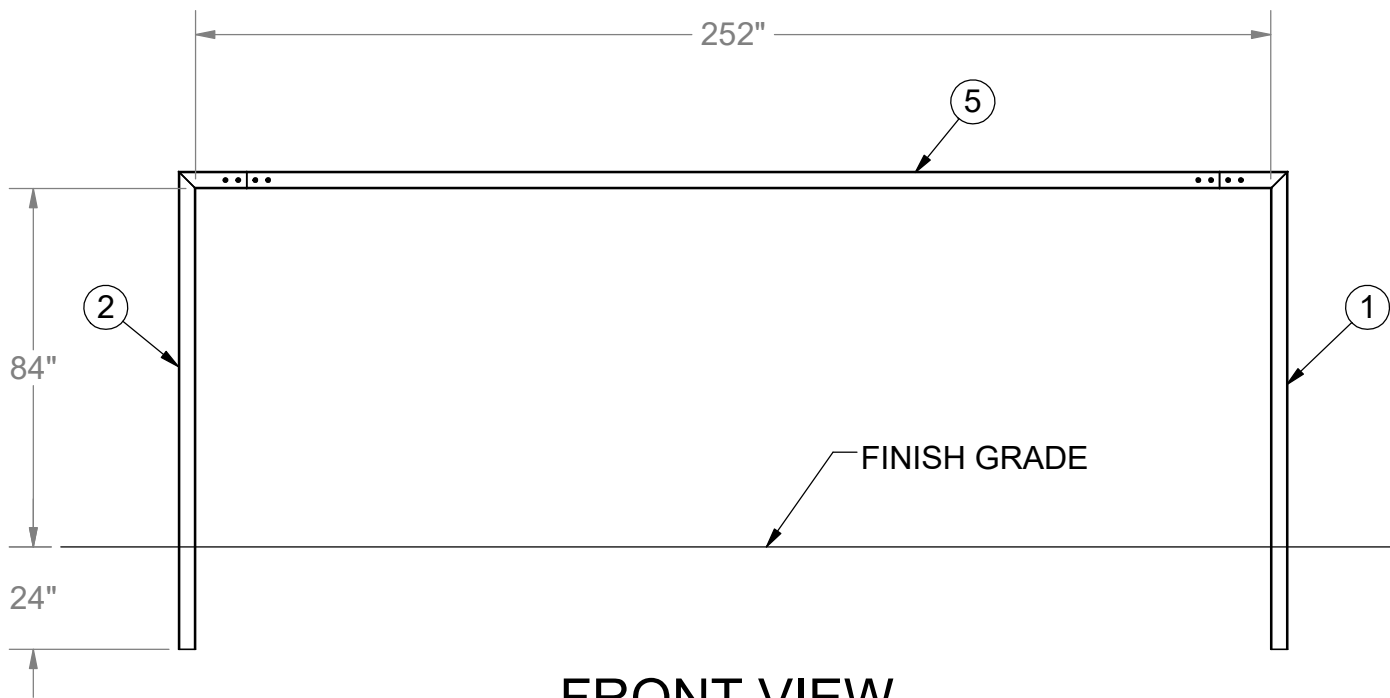
Sheet: 2 of 3

PRODUCT NAME

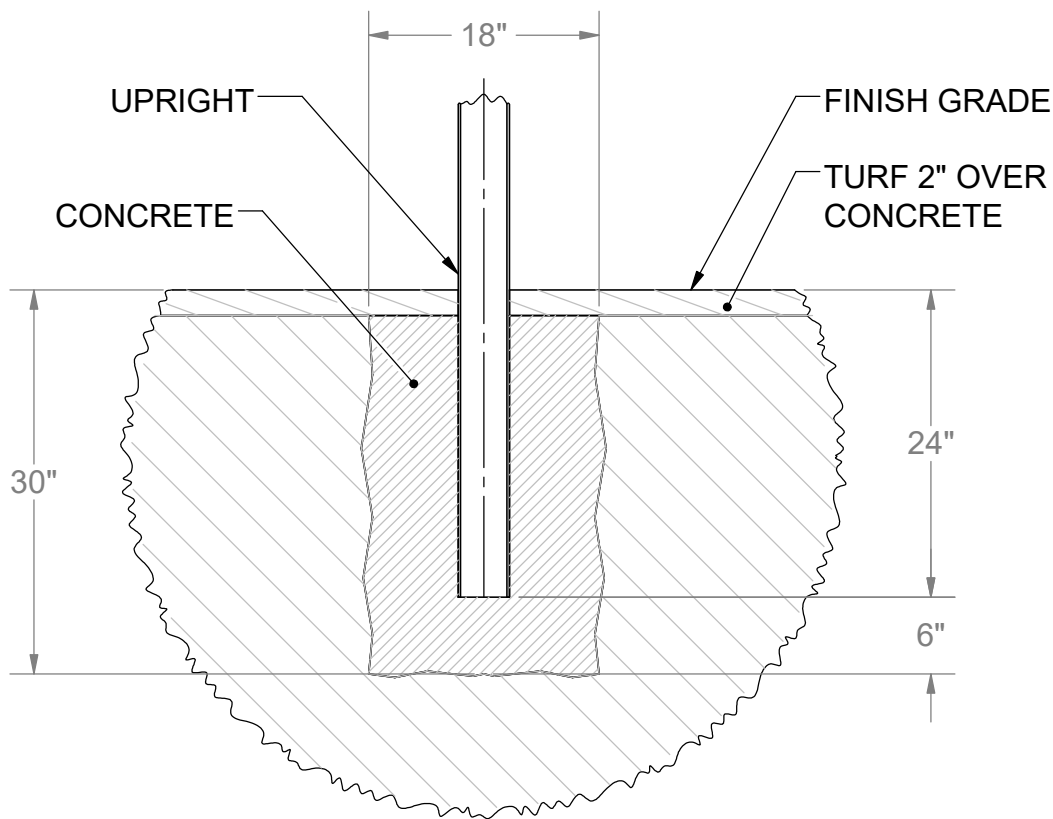
**SOCCER GOAL**

MODEL NO.

**SPEC LA-2238-22A-22G**



**FRONT VIEW**



**FOOTING DETAIL**