

2" x 4" PERMANENT NCAA REGULATION SOCCER GOALS

6'6" H x 12' W

LA-2238-12G STEEL - NO NET SUPPORTS - 6'6"H x 12'W (310 LBS) PER SET
LA-2238-12A ALUMINUM - NO NET SUPPORTS - 6'6"H x 12'W (121 LBS) PER SET

SPECIFICATIONS:


NCAA soccer goal which provides a 6'6"H x 12'W front inside opening.
Crossbar and Uprights - a single length of 2" x 4" rectangular steel or aluminum tubing, powder coated white. Crossbar is bolted to uprights.

All hardware is zinc-plated or Stainless Steel for long, rust free service.

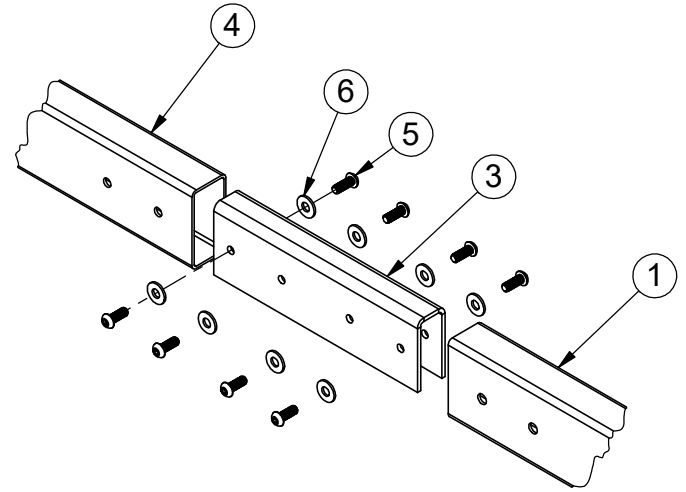
Warranty period: 10 years

INSTALLATION:

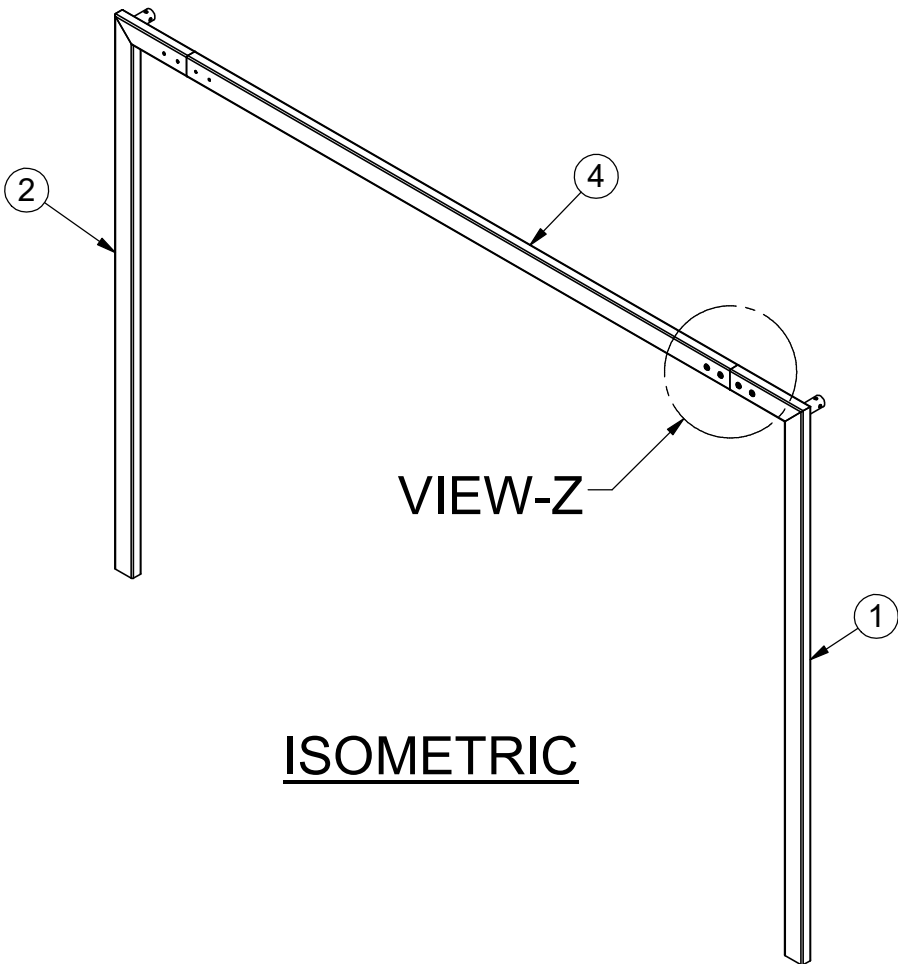
1. Dig footing holes per detail. Required footing size may vary depending on local building codes
2. Lay Upright/Corner Assemblies parallel on the ground according to width of goal ordered with pipe stubs facing up
3. Assemble crossbar to upright/corner assemblies with 3/8"-16 x 3/4" Button Head Bolts & 3/8" Washers. Use hex key wrench to tighten.
4. Tighten all bolts and set screws, cut and clean any excess threads.
5. Carefully rotate goal into upright position. Lower goal into footing holes, plumb and brace.
6. Brace so crossbar bottom is 6'6" above finish grade depending on model ordered. Shim from below if needed.
7. Pour concrete to within 2" of finished grade and let set for 3 days.
8. Cover concrete footings with soil/turf, synthetic turf, or any appropriate field surfacing material.

 <p>www.LASTEELCRAFT.com 1-800-371-2438</p>	Date: 7/26/2017	PRODUCT NAME SOCCER GOAL
	Rev: A	
	Drawn: BDYE	MODEL NO. SPEC LA-2238-12A-12G
	Sheet: 1 of 3	

ITEM NO.	PART NUMBER	DESCRIPTION	QTY.
1	SAS-513-2238-6.6-12A,13A,18A,19A	RIGHT UPRIGHT	2
2	SAS-513-2238-6.6-12A,13A,18A,19A	LEFT UPRIGHT	2
3	PL-045-2238-39-S-PC (VCICHAN24STL OR ALM)	STEEL CHANNEL SLEEVE (2x4)	4
4	RCT-024-2238-39-12G,13G-12	2x4 RECTANGLE TUBE (CROSS BAR)	2
5	HWBHSS3834	3/8"-16 x 3/4" BUTTON HEAD BOLT SS	32
6	HWFLWASS38	3/8" Flat Washer 304 SS	32



DETAIL-Z
EXPLODED

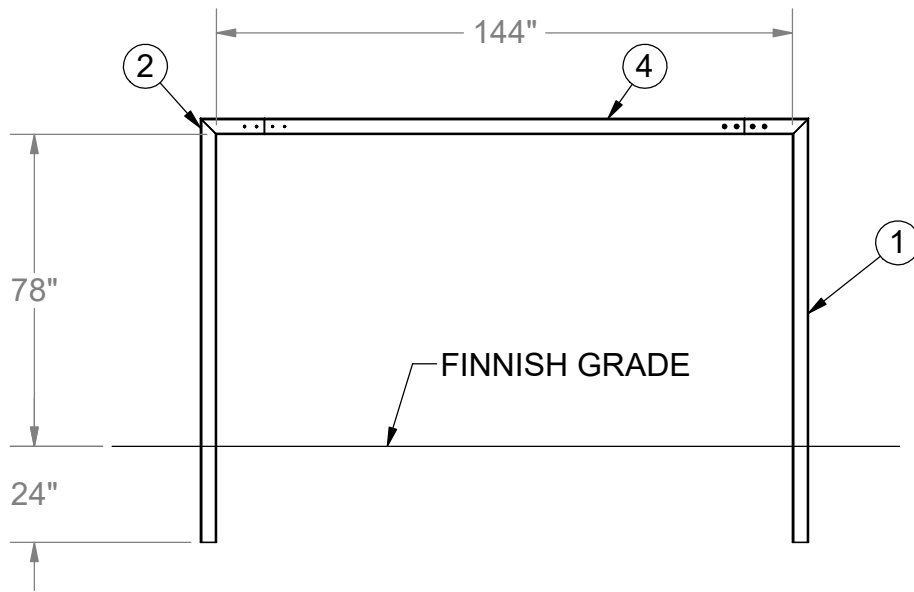


ISOMETRIC

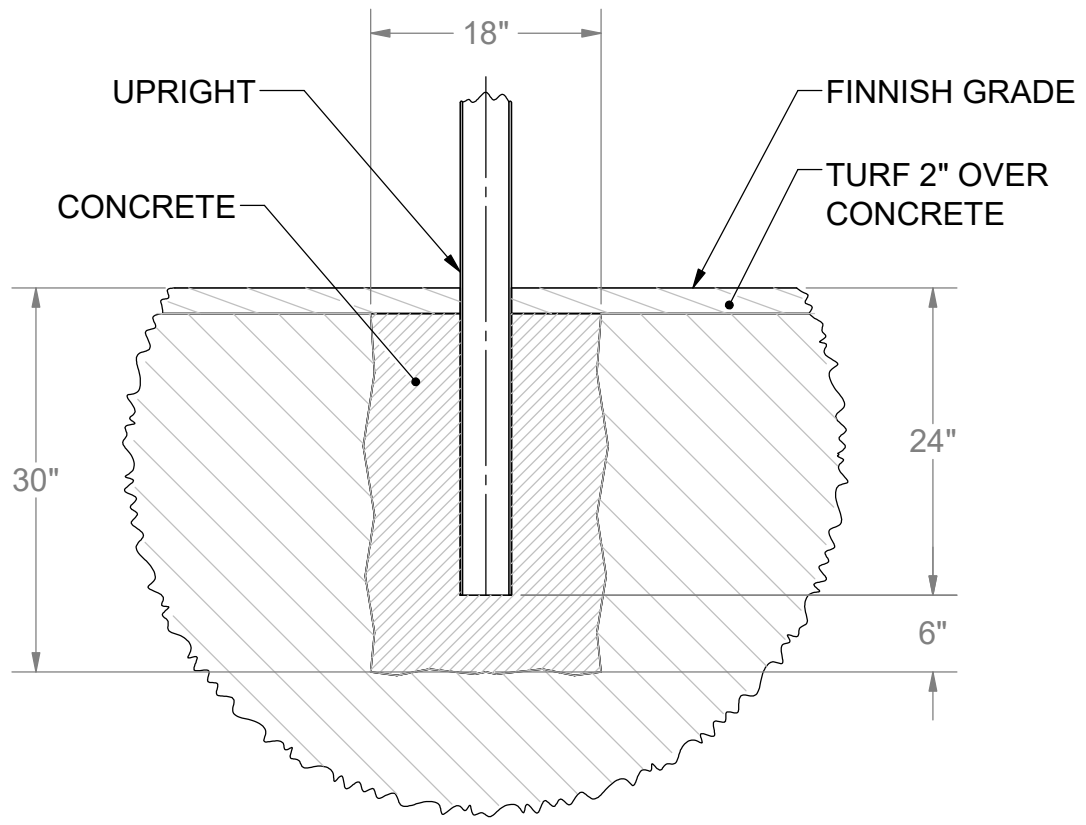


Date: 7/26/2017
 Rev: A
 Drawn: BDYE
 Sheet: 2 of 3

PRODUCT NAME
SOCCER GOAL
MODEL NO.
SPEC LA-2238-12A-12G



FRONT VIEW



FOOTING DETAIL



Date: 7/26/2017
 Rev: A
 Drawn: BDYE
 Sheet: 3 of 3

PRODUCT NAME
SOCCER GOAL
MODEL NO.
SPEC LA-2238-12A-12G