

# 4" x 4" PORTABLE NCAA REGULATION SOCCER GOALS

8' H x 24' W

#LA-2237-00G STEEL - WITH END FRAMES - 8'H x 24'W (1,060 LBS) PER SET  
#LA-2237-00A ALUMINUM - WITH END FRAMES - 8'H x 24'W (774 LBS) PER SET

## **SPECIFICATIONS:**

NCAA soccer goal which provides a 8'H x 24'W front inside opening.

Crossbar and Uprights - a single length of 4" x 4" Square steel or aluminum tubing, powder coated white. Crossbar is bolted to uprights.

All hardware is zinc-plated or Stainless Steel for long, rust free service.

Warranty period: 10 years

## **INSTALLATION:**

1. Lay Upright/Corner Assemblies 24' apart parallel to each other on the ground with drilled pipe stubs facing up
2. Assemble crossbar to upright/corner assemblies with 3/8"-16 x 3/4" Button Head Bolts.
3. Sleeve a T-fitting onto the bottom leg of net support. Make sure set screws will face up.
4. Insert net supports over 2" O.D. drilled inner sleeve stubs on corner assembly units
5. Align holes provided and attach with 3/8" x 3" hex head bolts
6. Attach spreader pipe between net supports. Insert spreader pipe into T-fittings and align holes, bolt through with 3/8" x 3-1/2" hex head bolts and tighten. NOTE: Position spreader pipe as far back on long leg as possible and tighten 3/8" set screws with hex key
7. Tighten all bolts and set screws, cut and peen any excess threads
8. Carefully rotate goal into upright position. Repeat steps for other goal
9. **\*OPTIONAL TRANSPORT ASSEMBLY\***  
Bolt Adjustable Wheel Bracket & Pnuematic Wheels in drilled hole locations

## **ANCHORING SYSTEM (AUGER ANCHOR)**

1. Connect chain to portable goal. Connect opposite end to auger. Pull chain tight then stick auger in ground surface at an slight angle away from goal. (See Page 5, Auger Picture) Twist auger all the way in-ground so the top hook/chain are slightly exposed.

## **NOTE:**

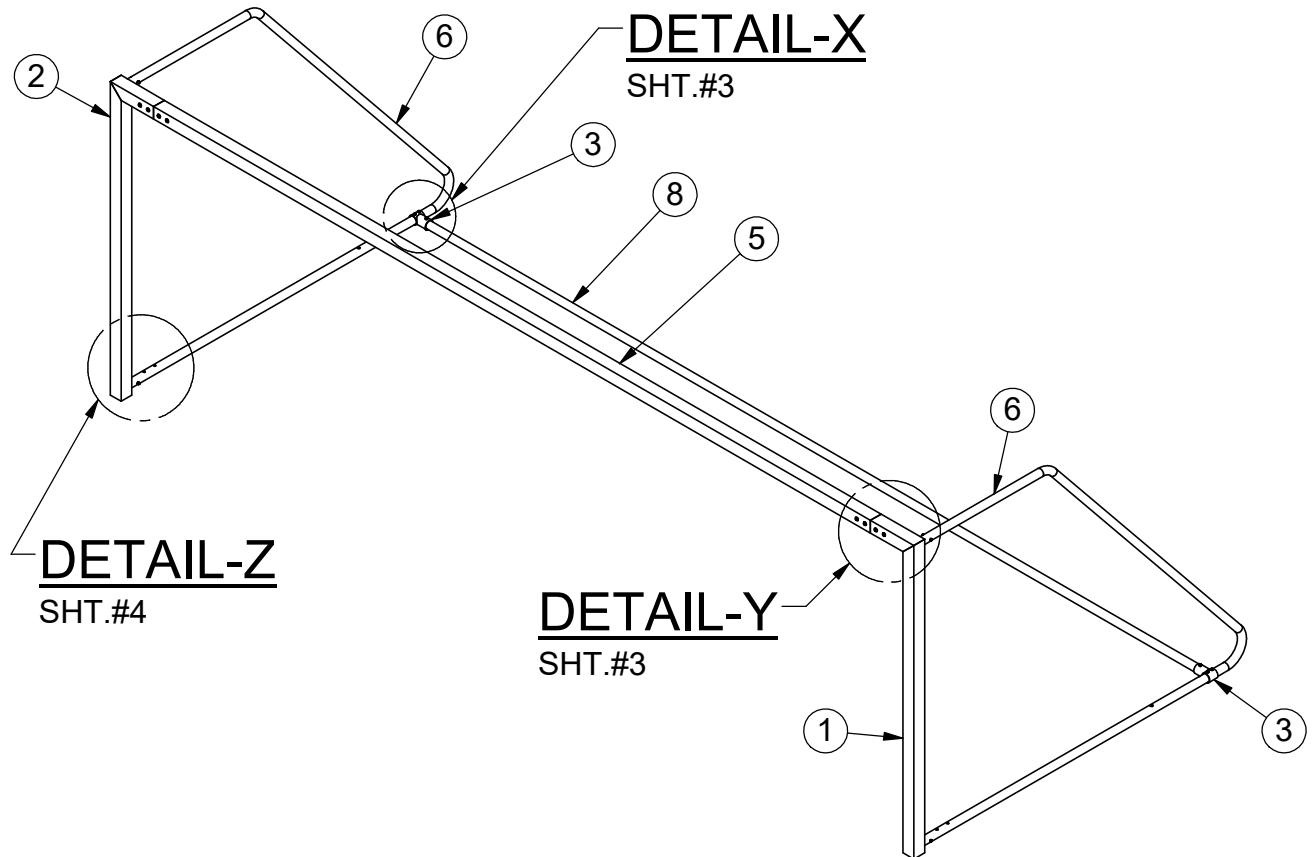
Footing sizes are based on average soil conditions. Loose and/or sandy soil is not average and footing sizes must be increased according to local soil conditions. See local building codes.

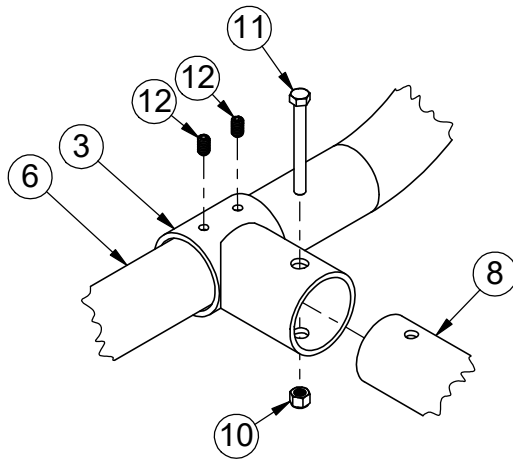


Date: 7/26/2017  
Rev: A  
Drawn: BDYE  
Sheet: 1 of 5

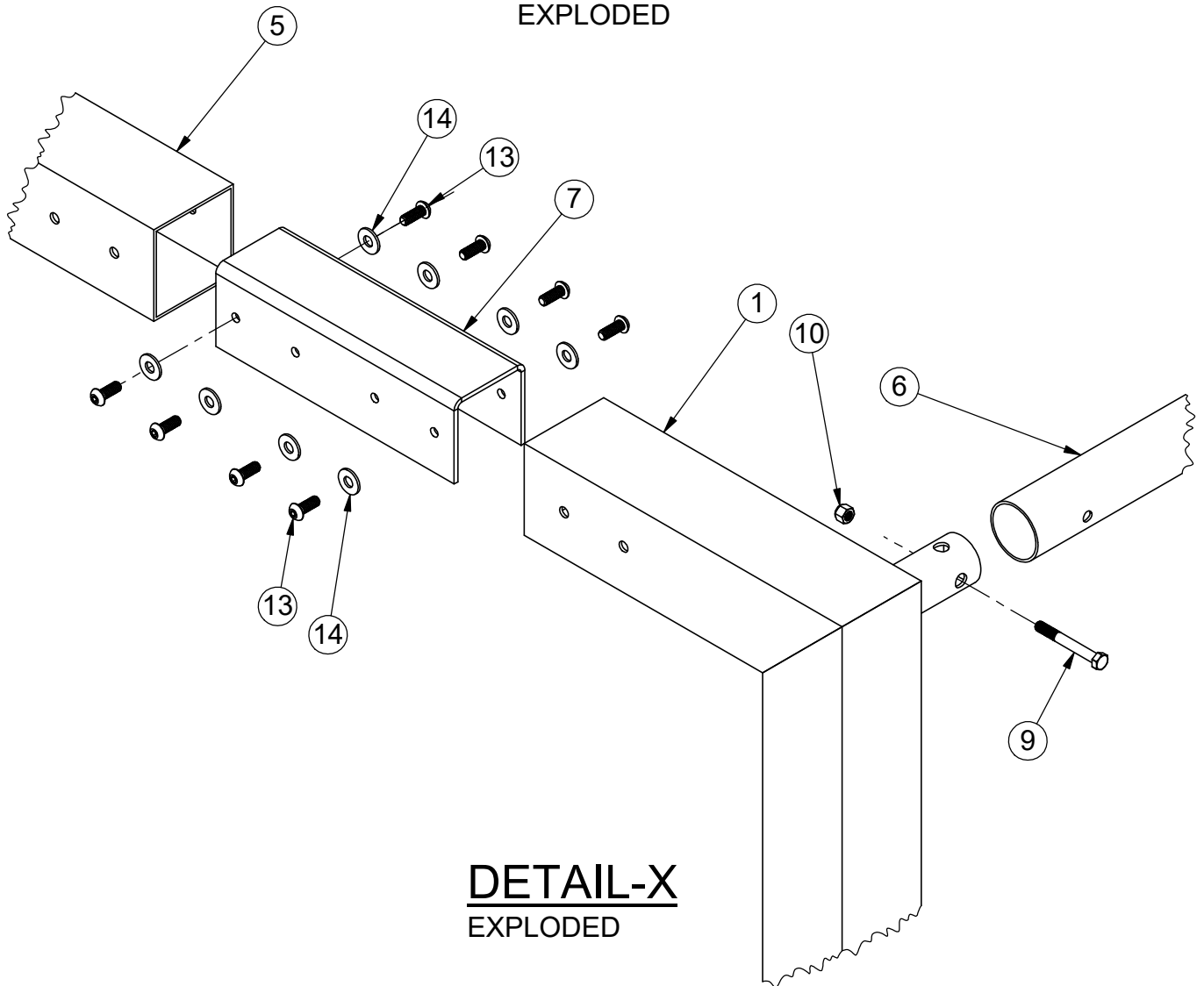
**PRODUCT NAME**  
**SOCCKER GOAL**  
**MODEL NO.**  
**SPEC LA-2237-01A-01G**

ITEM NO.	PART NUMBER	DESCRIPTION	QTY.
1	SAS-501-2235-37-00-01G	RIGHT 4x4 UPRIGHT	2
2	SAS-501-2235-37-00-01G	LEFT 4x4 UPRIGHT	2
3	SAS-501-2200-G	2 7/8"x 3/16" WALL TEE FITTING	4
5	SQT-048-2200-G	CROSSBAR 4 x 4 STOCK	2
6	RT-004-2200-G-8	NET SUPPORT TUBE	4
7	PL-045-2200-G	CHANNEL SLEEVE (4x4)	4
8	RT-037-2200-288G	SPREADER PIPE	2
9	HWHB383	3/8"x16 x 3" ZINC HEX BOLT	8
10	HWLN38	3/8"-16 ZINC LOCK NUT	12
11	HWHB38312	3/8-16 X 3 1/2 GR5 HEX BOLT ZINC	4
12	HWSC3858	3/8"-16 x 5/8" ZINC SET SCREW	8
13	HWBHSS3834	3/8"-16 x 3/4" SS BUTTON HEAD BOLT	32
14	HWFLWASS38	3/8" SS FLAT WASHER	32
15	HWHB12312	<b>*OPTIONAL*</b> 1/2-13 X 3 1/2 GR5 HEX BOLT ZINC	8
16	HWLN12	<b>*OPTIONAL*</b> 1/2"-13 ZINC LOCK NUT	8
17	SAS-516-2200-8341	<b>*OPTIONAL*</b> TRANSPORT SYSTEM ASSY	4



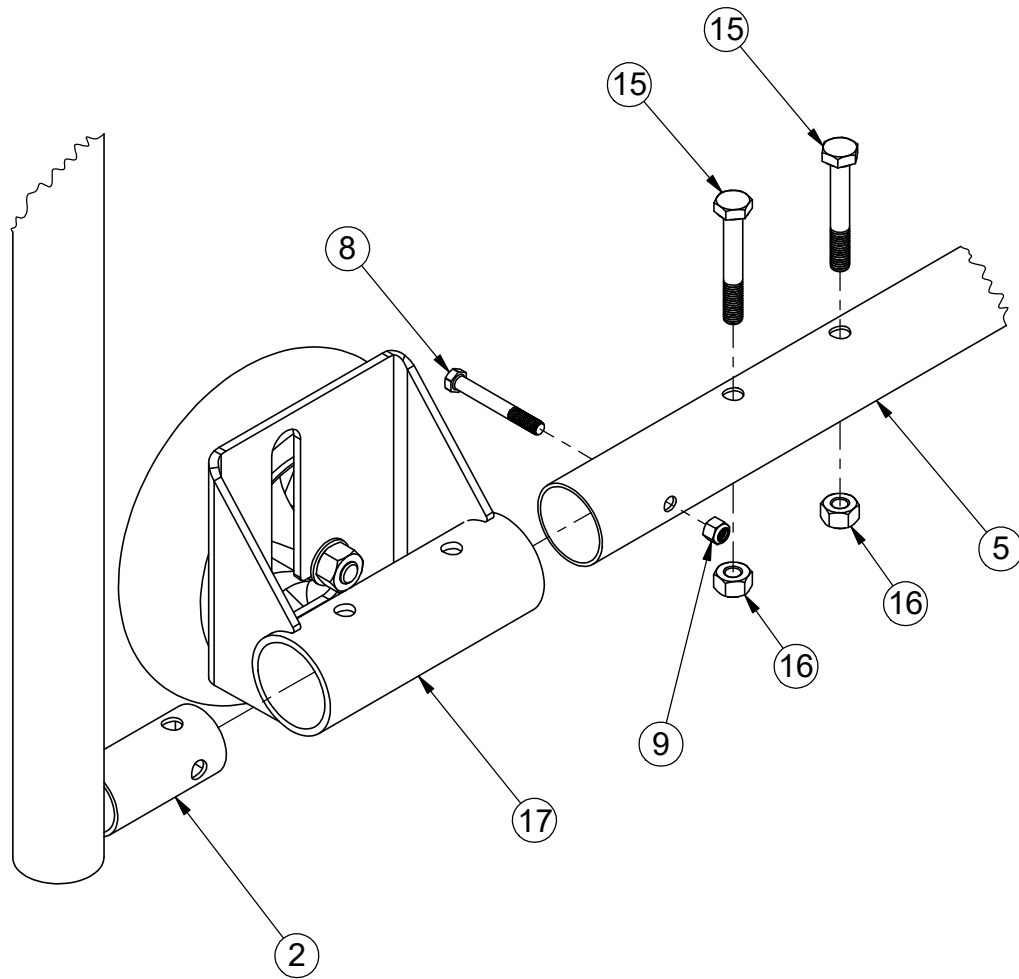


**DETAIL-X**  
EXPLODED



**DETAIL-X**  
EXPLODED

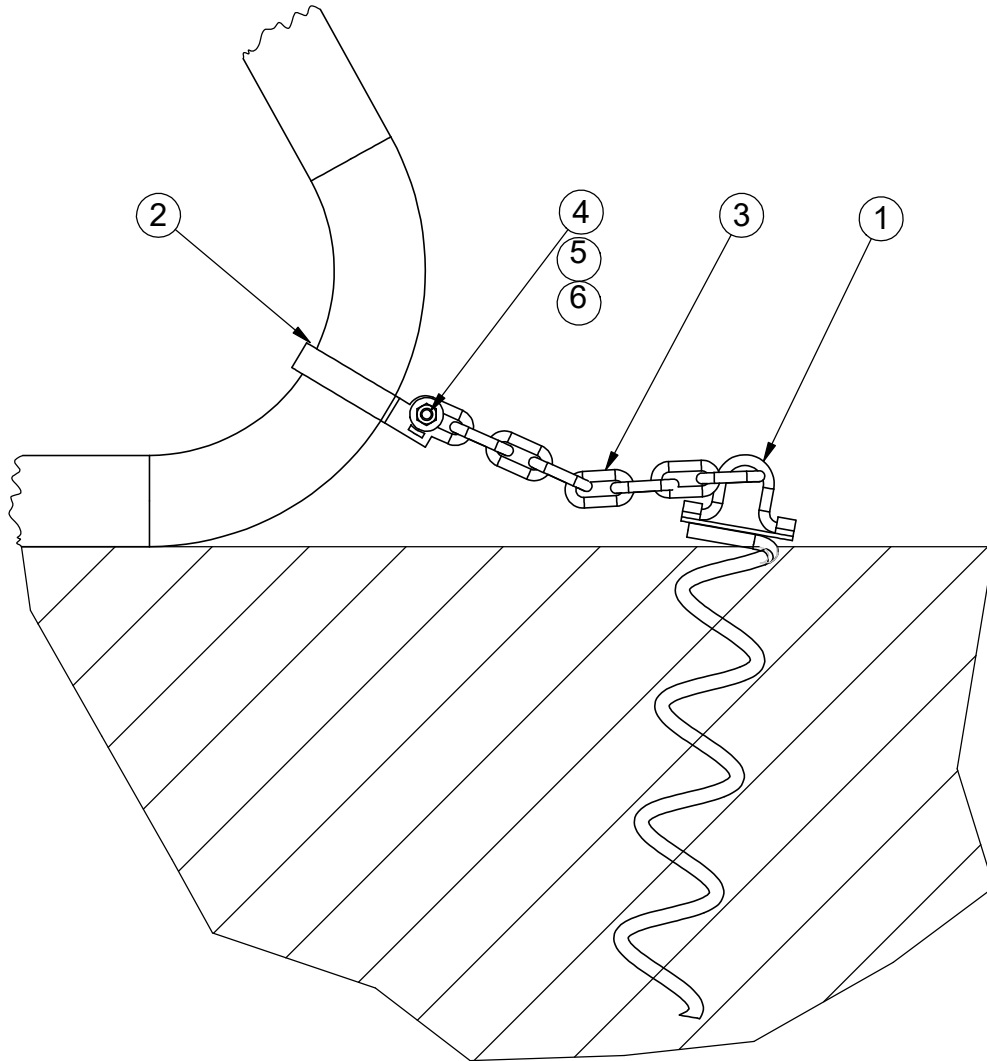
Date: 7/26/2017	PRODUCT NAME
Rev: A	SOCGER GOAL
Drawn: BDYE	MODEL NO.
Sheet: 3 of 5	SPEC LA-2237-01A-01G



## DETAIL-Z

EXPLODED  
 ITEM #17 IS  
 OPITIONAL

BOM			
ITEM NO.	PART NUMBER	DESCRIPTION	QTY.
1	PI-001-8347-S	AUGER	4
2	VCIBB238	2 3/8" BRACE BAND	4
3	HWCHAIN316	24" CHAIN	4
4	HWCB5161	5/16"x1" CARRIAGE BOLT	4
5	HWFLW516	5/16" FLAT WASHER	4
6	HWLN516	5/16" NYLOCK WASHER	4



**SIDE VIEW**



Date: 7/26/2017  
 Rev: A  
 Drawn: BDYE  
 Sheet: 5 of 5

**PRODUCT NAME**  
**SOCCER GOAL**

**MODEL NO.**  
**SPEC LA-2237-01A-01G**