

2 3/8" O.D. PERMANENT YOUTH SOCCER GOALS

8' H x 24' W

#LA-2233-01G STEEL - NET SUPPORTS - 8'H x 24'W (558 LBS) PER GOAL

SPECIFICATIONS:

NCAA soccer goal which provides a 8'H x 24'W front inside opening.


Crossbar and Uprights - a single length of 2 3/8" O.D. steel tubing. Crossbar is bolted to uprights.

All hardware is zinc-plated or Stainless Steel for long, rust free service.

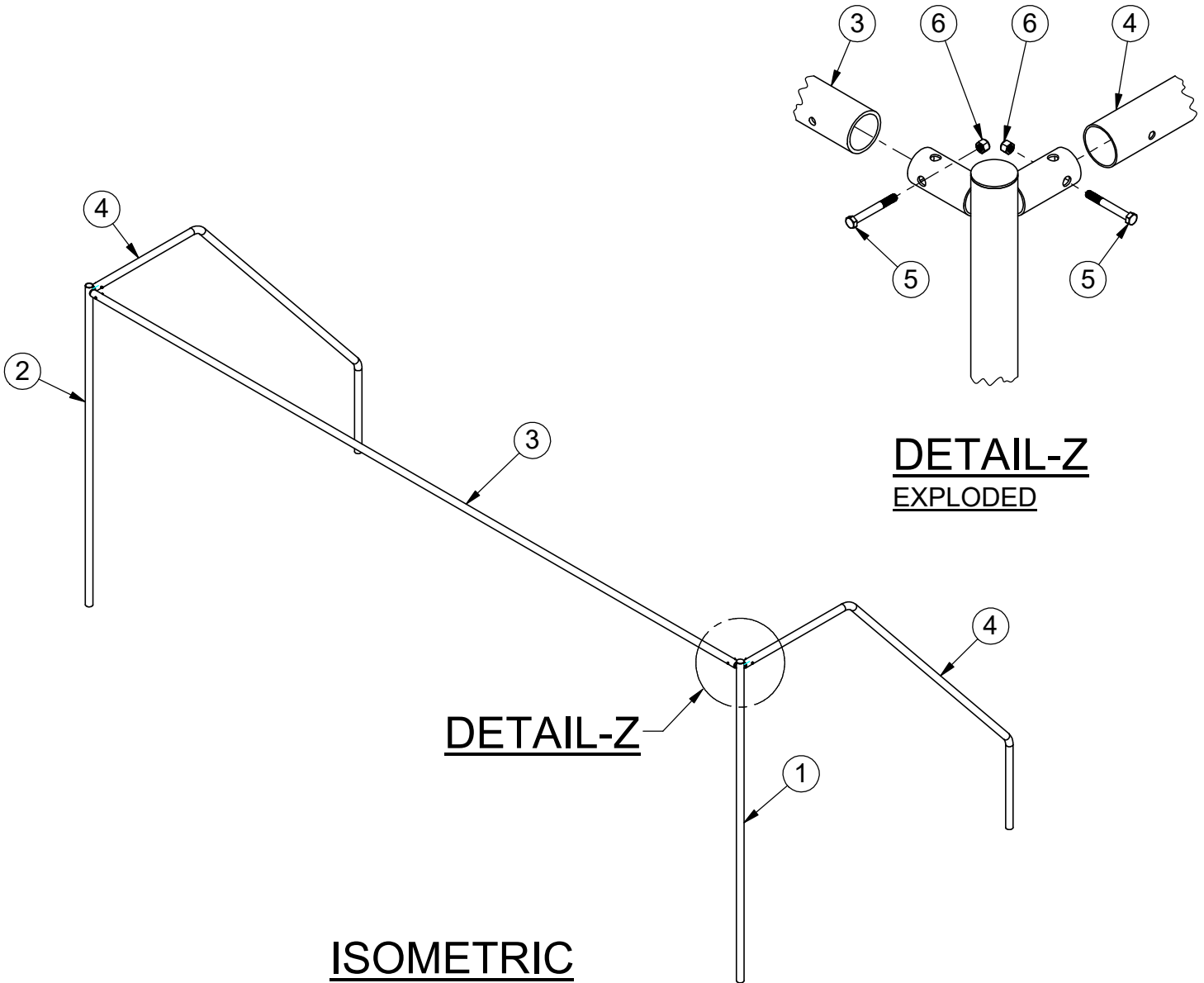
Warranty period: 10 years

INSTALLATION:

1. Dig footing holes per detail. Required footing size may vary depending on local building codes
2. Lay Upright/Corner Assemblies parallel on the ground according to width of goal ordered with pipe stubs facing up
3. Assemble crossbar to upright/corner assemblies with 3/8"-16 x 3" bolts .
4. Tighten all bolts and set screws, cut and peen any excess threads.
5. Carefully rotate goal into upright position. Lower goal into footing holes, plumb and brace.
6. Brace so crossbar bottom is 8'-0" above finish grade depending on model ordered. Shim from below if needed.
7. Pour concrete to within 2" of finished grade and let set for 3 days.
8. Cover concrete footings with soil/turf, synthetic turf, or any appropriate field surfacing material.

	Date: 7/26/2017	PRODUCT NAME
	Rev: A	SOCCER GOAL
	Drawn: BDYE	MODEL NO.
	Sheet: 1 of 3	SPEC LA-2233-01

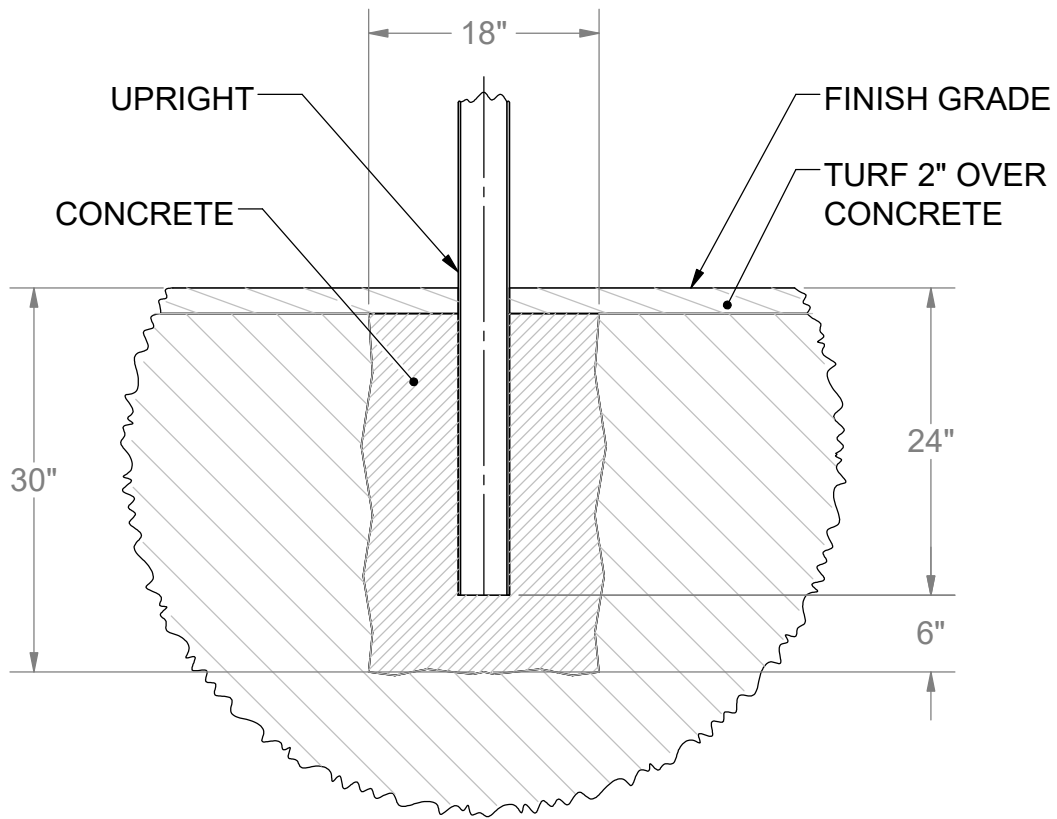
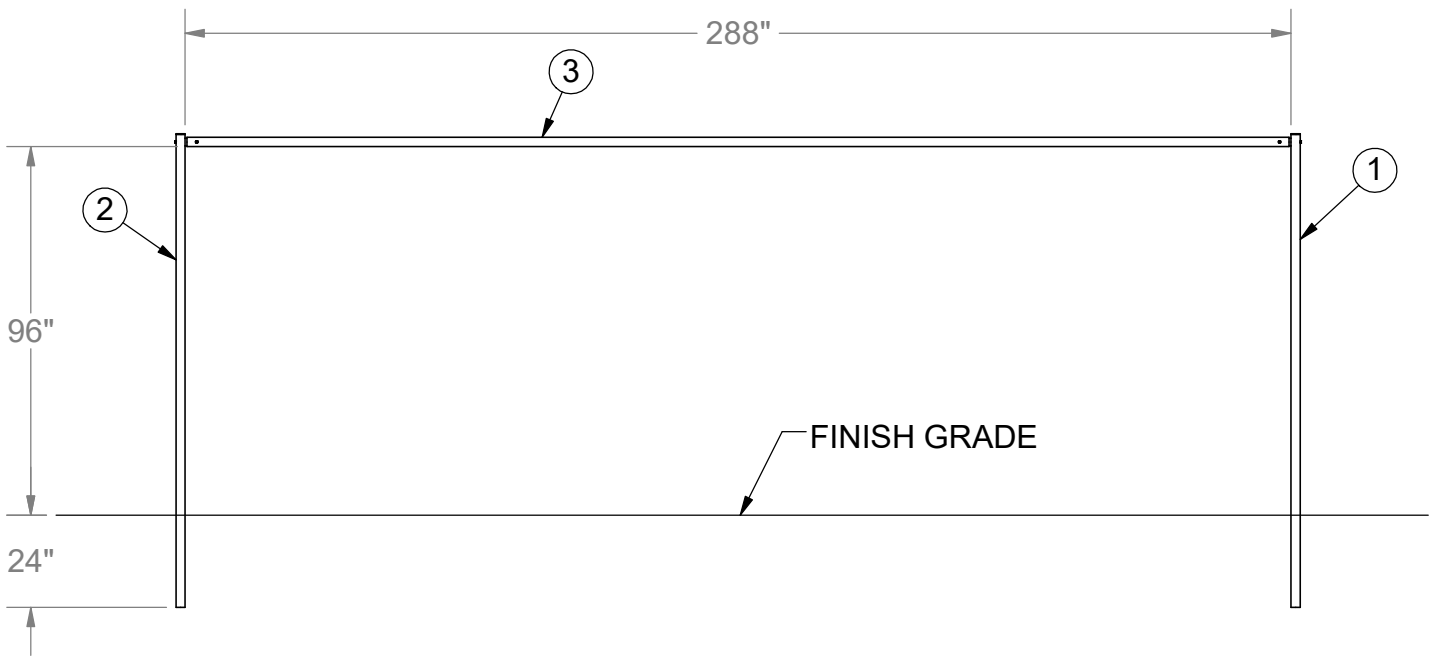
BOM			
ITEM NO.	PART NUMBER	DESCRIPTION	QTY.
1	SAS-500-2233-00-01-G	RIGHT UPRIGHT	2
2	SAS-500-2233-00-01-G	LEFT UPRIGHT	2
3	RT-002-2232-33-G	CROSSBAR	2
4	RT-044-2200-8-PERM	NET SUPPORT TUBE	4
5	HWHB383	3/8"x16 x 3" SS HEX BOLT	8
6	HWLN38	3/8"-16 LOCK NUT	8



Date: 7/26/2017
 Rev: A
 Drawn: BDYE
 Sheet: 2 of 3

PRODUCT NAME
SOCCER GOAL

MODEL NO.
SPEC LA-2233-01



FOOTING DETAIL



Date: 7/26/2017

Rev: A

Drawn: BDYE

Sheet: 3 of 3

PRODUCT NAME

SOCCER GOAL

MODEL NO.

SPEC LA-2233-01