

## 2 3/8" O.D. PERMANENT YOUTH SOCCER GOALS

8' H x 24' W

#2233-00 STEEL - NO NET SUPPORTS - 8'H x 24'W (400 LBS) PER SET

### SPECIFICATIONS:


NCAA soccer goal which provides a 8'H x 24'W front inside opening.  
Crossbar and Uprights - a single length of 2 3/8" O.D. steel tubing. Crossbar is bolted to uprights.

All hardware is zinc-plated or Stainless Steel for long, rust free service.

Warranty period: 10 years

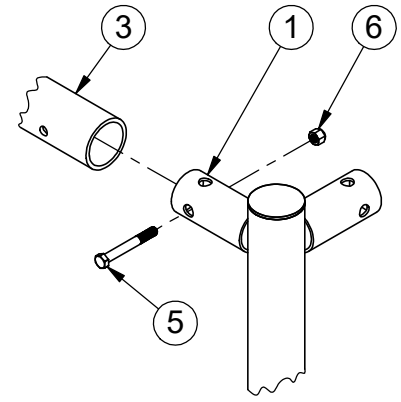
### INSTALLATION:

1. Dig footing holes per detail. Required footing size may vary depending on local building codes
2. Lay Upright/Corner Assemblies parallel on the ground according to width of goal ordered with pipe stubs facing up
3. Assemble crossbar to upright/corner assemblies with 3/8"-16 x 3" bolts .
4. Tighten all bolts and set screws, cut and pean any excess threads.
5. Carefully rotate goal into upright position. Lower goal into footing holes, plumb and brace.
6. Brace so crossbar bottom is 8'-0" above finish grade depending on model ordered. Shim from below if needed.
7. Pour concrete to within 2" of finished grade and let set for 3 days.
8. Cover concrete footings with soil/turf, synthetic turf, or any appropriate field surfacing material.

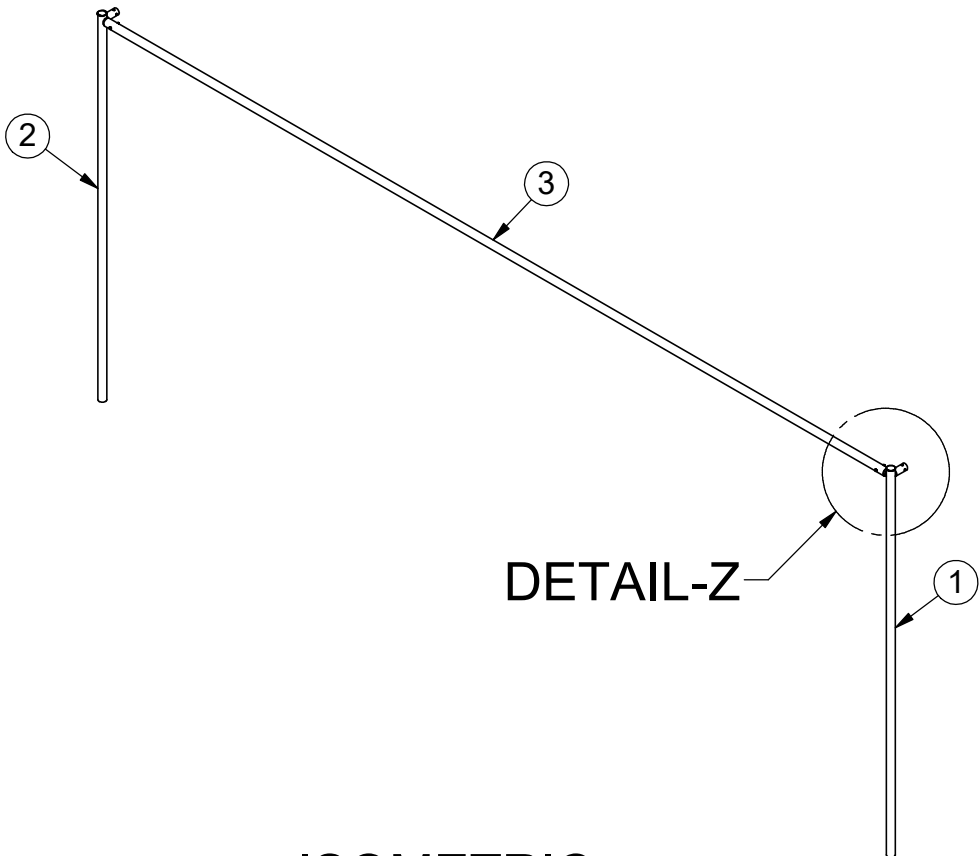
	Date: 7/26/2017	<b>PRODUCT NAME</b>
	Rev: A	<b>SOCCER GOAL</b>
	Drawn: BDYE	MODEL NO.
	Sheet: 1 of 3	<b>SPEC LA_2233_00</b>

BOM

ITEM NO.	PART NUMBER	DESCRIPTION	QTY.
1	SAS-500-2233-00-01-G	RIGHT UPRIGHT	2
2	SAS-500-2233-00-01-G	LEFT UPRIGHT	2
3	RT-002-2232-33-G	CROSSBAR	2
4	HWHB383	3/8"x16 x 3" SS HEX BOLT	4
5	HWLN38	3/8"-16 LOCK NUT	4
6			

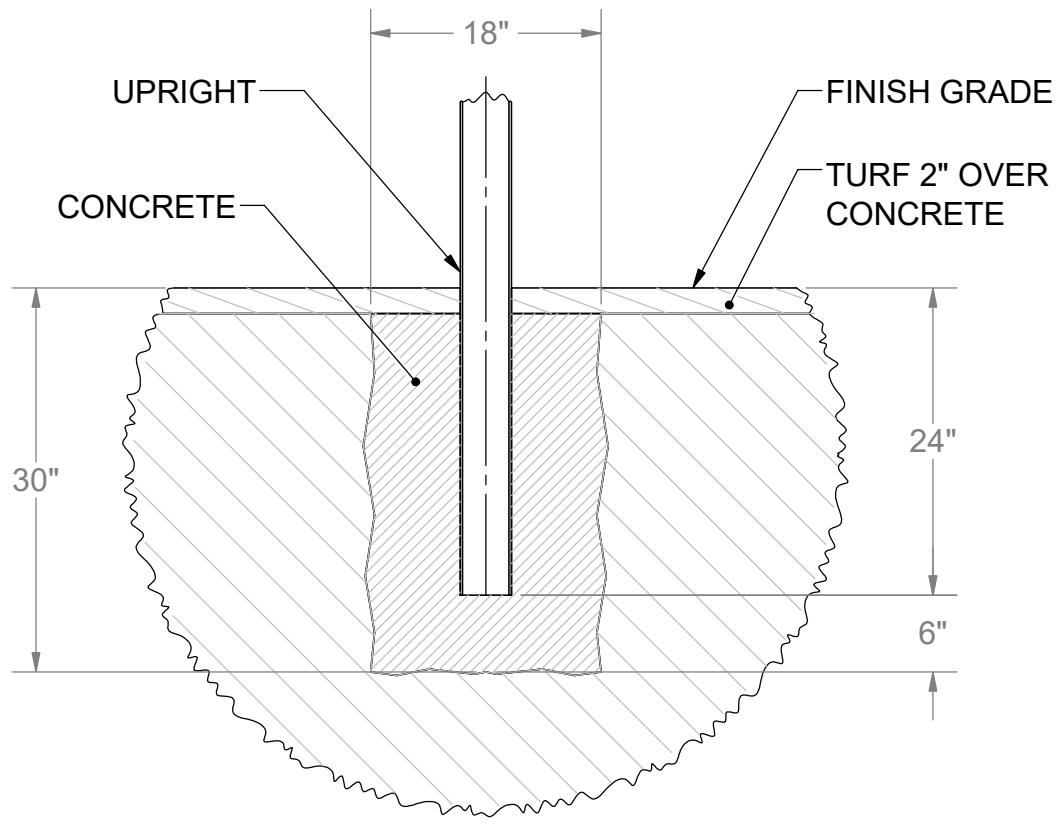
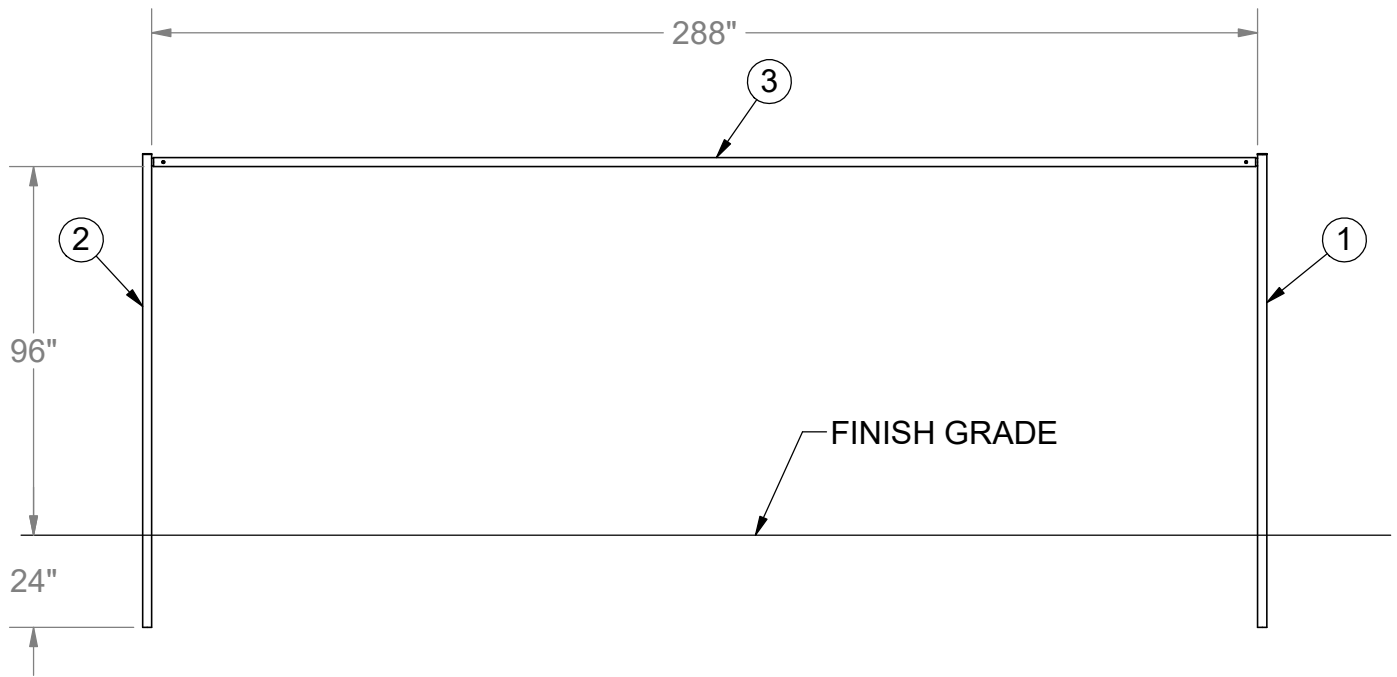


**DETAIL-Z**  
EXPLODED



**ISOMETRIC**

	Date: 7/26/2017	PRODUCT NAME
	Rev: A	SOCGER GOAL
	Drawn: BDYE	MODEL NO.
	Sheet: 2 of 3	SPEC LA_ 2233_00



### FOOTING DETAIL

	Date: 7/26/2017	PRODUCT NAME
	Rev: A	SOCCKER GOAL
	Drawn: BDYE	MODEL NO.
	Sheet: 3 of 3	SPEC LA_2233_00