

4 1/2" O.D. PORTABLE PRACTICE ROUND SOCCER GOALS

6'6" H x 18' W

#LA-2231-18G STEEL - WITH END FRAMES - 6'6" H x 18' W (934 LBS) PER SET
#LA-2231-18A ALUMINUM - WITH END FRAMES - 6'6" H x 18' W (474 LBS) PER SET

SPECIFICATIONS:

NCAA soccer goal which provides a 6'6" H x 18' W front inside opening.
Crossbar and Uprights - a single length of 4 1/2" O.D. steel or aluminum tubing, powder coated white.
Crossbar is bolted to uprights.

All hardware is zinc-plated or Stainless Steel for long, rust free service.

Warranty period: 10 years

INSTALLATION:

1. Lay Upright/Corner Assemblies 24' apart parallel to each other on the ground with drilled pipe stubs facing up
2. Assemble crossbar to upright/corner assemblies with 3/8"-16 x 4" Button Head Bolts and Barrel nuts.
3. Sleeve a T-fitting onto the bottom leg of net support. Make sure set screws will face up.
4. Insert net supports over 2" O.D. drilled inner sleeve stubs on corner assembly units
5. Align holes provided and attach with 3/8" x 3" hex head bolts
6. Attach spreader pipe between net supports. Insert spreader pipe into T-fittings and align holes, bolt through with 3/8" x 3-1/2" hex head bolts and tighten. NOTE: Position spreader pipe as far back on long leg as possible and tighten 3/8" set screws with hex key
7. Tighten all bolts and set screws, cut and peen any excess threads
8. Carefully rotate goal into upright position. Repeat steps for other goal
9. *OPTIONAL TRANSPORT ASSEMBLY*
Bolt Adjustable Wheel Bracket & Pneumatic Wheels in drilled hole locations

ANCHORING SYSTEM (AUGER ANCHOR)

1. Connect chain to portable goal. Connect opposite end to auger. Pull chain tight then stick auger in ground surface at a slight angle away from goal. (See Page 5, Auger Picture) Twist auger all the way in-ground so the top hook/chain are slightly exposed.



Date: 7/26/2017

Rev: A

Drawn: BDYE

Sheet: 1 of 5

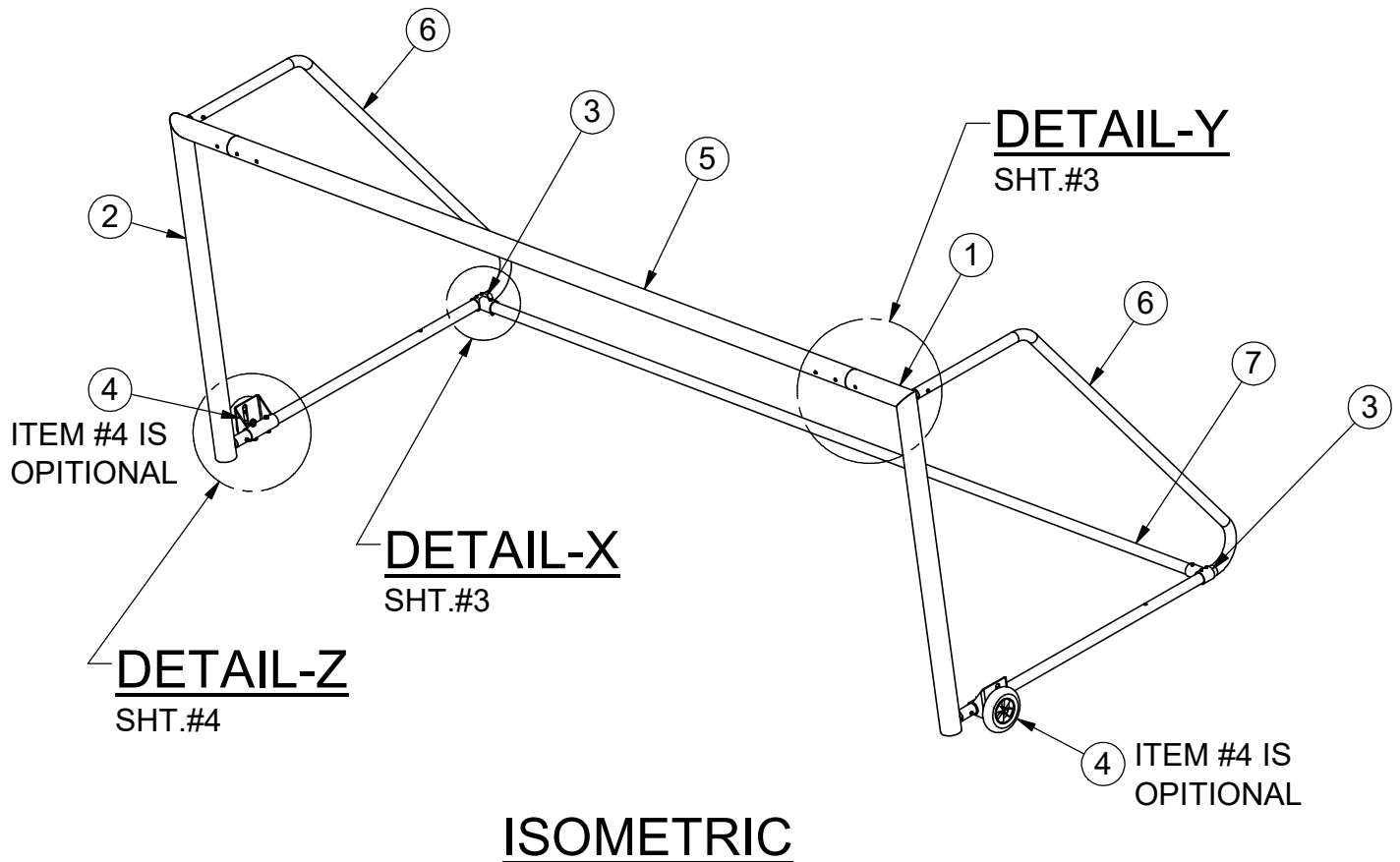
PRODUCT NAME

SOCCER GOAL

MODEL NO.

SPEC LA-2231-18A-18G

BOM			
ITEM NO.	PART NUMBER	DESCRIPTION	Default/QTY
1	SAS-501-2231-6'6-12G,18G	RIGHT UPRIGHT	2
2	SAS-501-2231-6'6-12G,18G	LEFT UPRIGHT	2
3	SAS-501-2200-G	2 7/8"x 3/16" WALL TEE FITTING	4
4	SAS-516-2200-8341	*OPTIONAL* TRANSPORT SYSTEM ASSY	4
5	RT-014-2230-31-18'G	CROSSBAR	2
6	RT-002-2200-12G,18G-6.6	NET SUPPORT TUBE	4
7	RT-039-2200-216G	SPREADER PIPE	2
8	HWBN381	3/8"-16 x 1" BUTTON HEAD BARREL NUT	8
9	HWBH384	3/8"-16 x 4" BUTTON HEAD BOLT	8
10	HWHB383	3/8"x16 x 3" SS HEX BOLT	8
11	HWLN38	3/8"-16 LOCK NUT	12
12	HWHB38312	3/8-16 X 3 1/2 GR5 HEX BOLT ZINC	4
13	HWSC3858	3/8"-16 x 5/8" SET SCREW	8
14	HWHB12312	*OPTIONAL* 1/2-13x3.5 GR5 C/S ZINC HEX BOLT	8
15	HWLN12	*OPTIONAL* 1/2-13 NYLOK INSERT LOCKNUT ZINC (1500)	8



Date: 7/26/2017

Rev: A

Drawn: BDYE

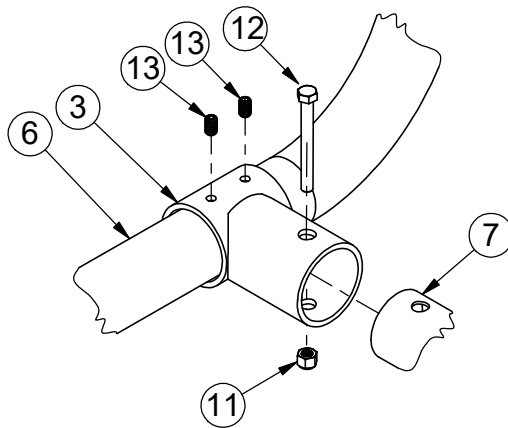
Sheet: 2 of 5

PRODUCT NAME

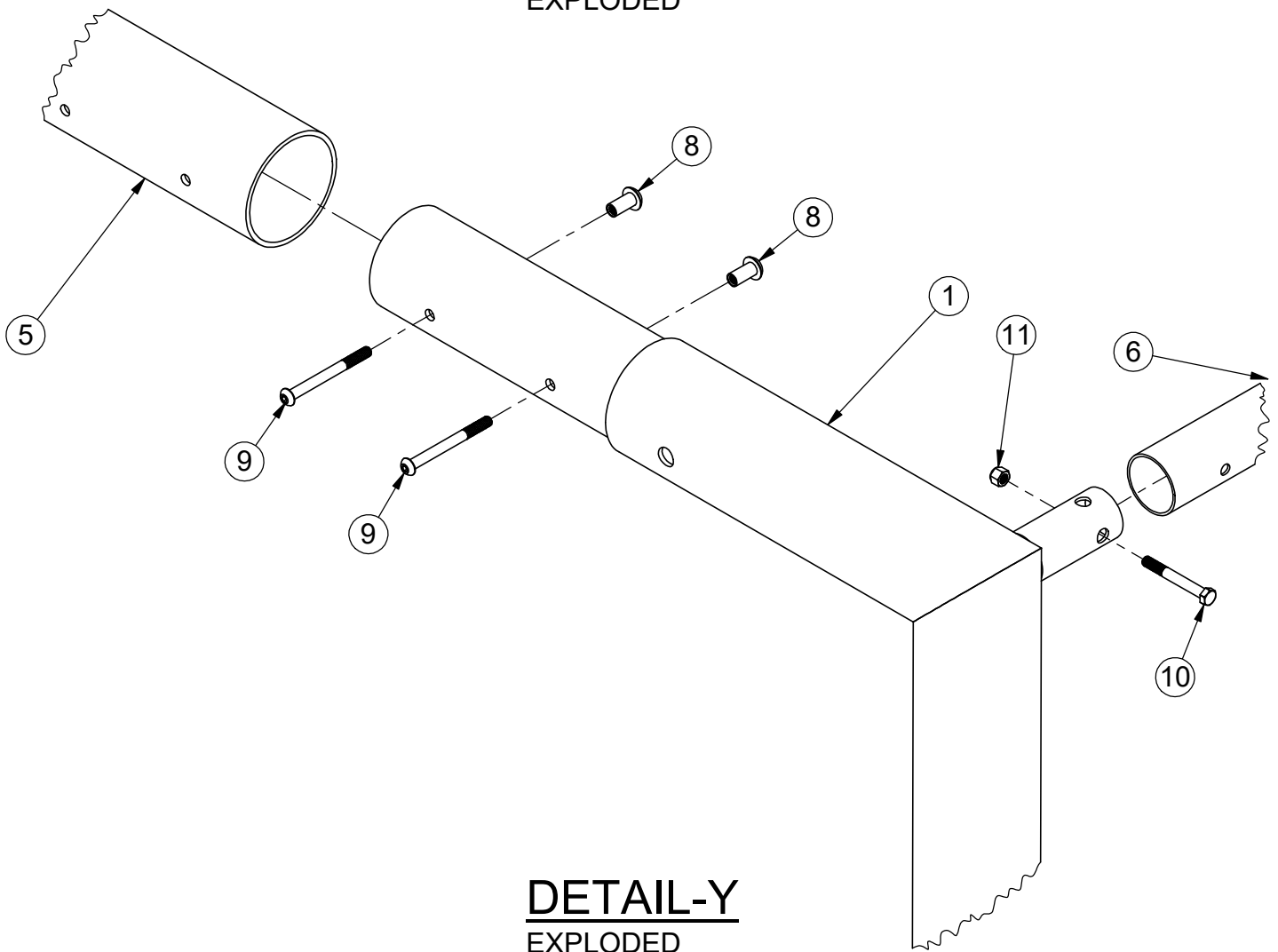
SOCCER GOAL

MODEL NO.

SPEC LA-2231-18A-18G



DETAIL-X
EXPLODED

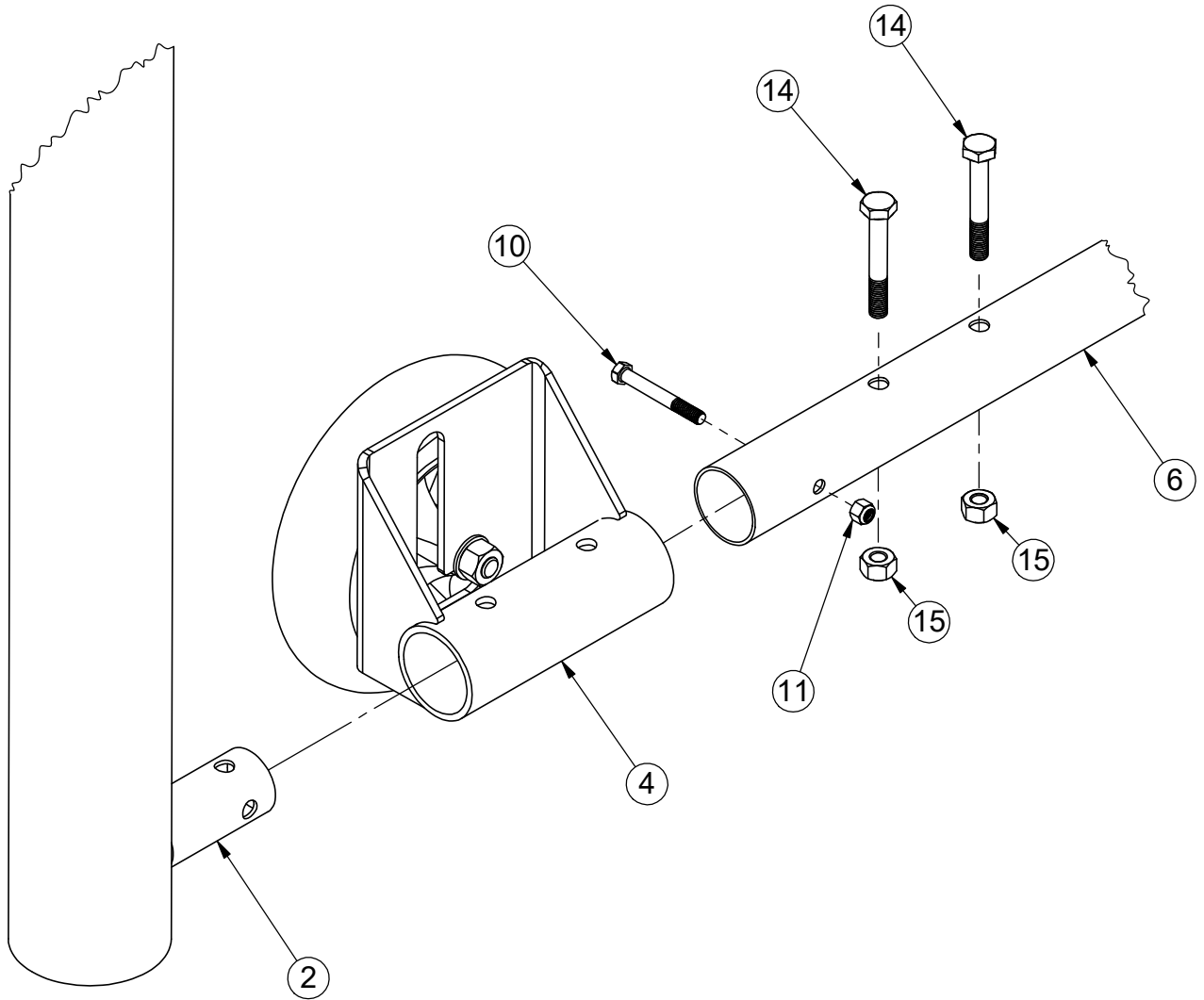


DETAIL-Y
EXPLODED



Date: 7/26/2017
 Rev: A
 Drawn: BDYE
 Sheet: 3 of 5

PRODUCT NAME
SOCCER GOAL
MODEL NO.
SPEC LA-2231-18A-18G



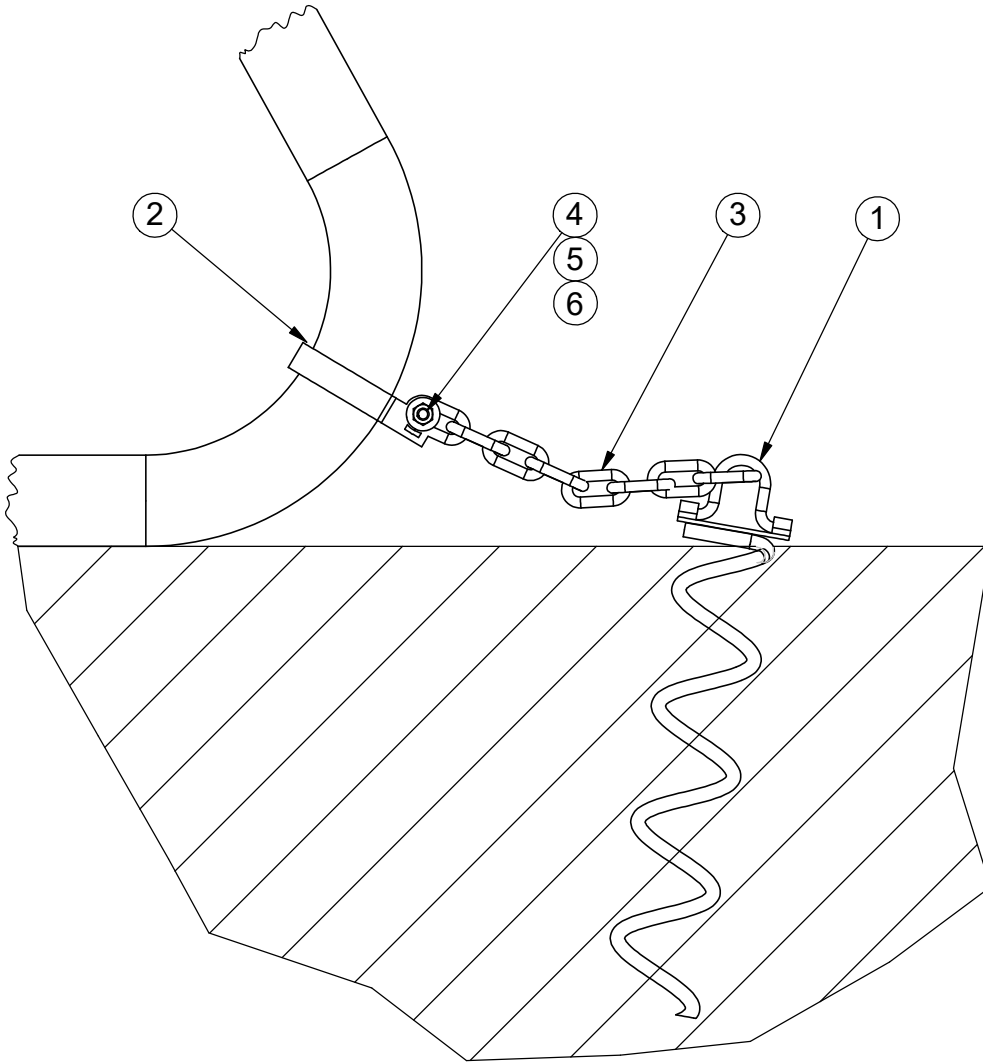
DETAIL-Z
EXPLODED



Date: 7/26/2017
 Rev: A
 Drawn: BDYE
 Sheet: 4 of 5

PRODUCT NAME
SOCCER GOAL
MODEL NO.
SPEC LA-2231-18A-18G

BOM			
ITEM NO.	PART NUMBER	DESCRIPTION	QTY.
1	PI-001-8347-S	AUGER	4
2	VCIBB238	2 3/8" BRACE BAND	4
3	HWCHAIN316	24" CHAIN	4
4	HWCB5161	5/16"x 1" CARRIAGE BOLT	4
5	HWFLW516	5/16" FLAT WASHER	4
6	HWLN516	5/16" NYLOCK NUT	4



SIDE VIEW



Date: 7/26/2017	PRODUCT NAME SOCCER GOAL
Rev: A	
Drawn: BDYE	MODEL NO.
Sheet: 5 of 5	SPEC LA-2231-18A-18G