

4 1/2" ROUND PERMANENT NCAA REGULATION SOCCER GOALS

7' H x 21' W

#LA-2230-21G STEEL - NO NET SUPPORTS - 7' H x 21' W (754 LBS) PER SET
#LA-2230-21A ALUMINUM - NO NET SUPPORTS - 7' H x 21' W (260 LBS) PER SET

SPECIFICATIONS:

NCAA soccer goal which provides a 7' H x 21' W front inside opening.
Crossbar and Uprights - a single length of 4 1/2" round steel or aluminum tubing, powder coated white. Crossbar is bolted to uprights.

All hardware is zinc-plated or Stainless Steel for long, rust free service.

Warranty period: 10 years

INSTALLATION:

1. Dig footing holes per detail. Required footing size may vary depending on local building codes
2. Lay Upright/Corner Assemblies parallel on the ground according to width of goal ordered with pipe stubs facing up
3. Assemble crossbar to upright/corner assemblies with 3/8"-16 x 4" Button Head Bolts & 3/8" Barrow nuts. Use hex key wrench to tighten.
4. Tighten all bolts and set screws, cut and peen any excess threads.
5. Carefully rotate goal into upright position. Lower goal into footing holes, plumb and brace.
6. Brace so crossbar bottom is 7'-0" above finish grade depending on model ordered. Shim from below if needed.
7. Pour concrete to within 2" of finished grade and let set for 3 days.
8. Cover concrete footings with soil/turf, synthetic turf, or any appropriate field surfacing material.



Date: 7/26/2017

Rev: A

Drawn: BDYE

Sheet: 1 of 3

PRODUCT NAME

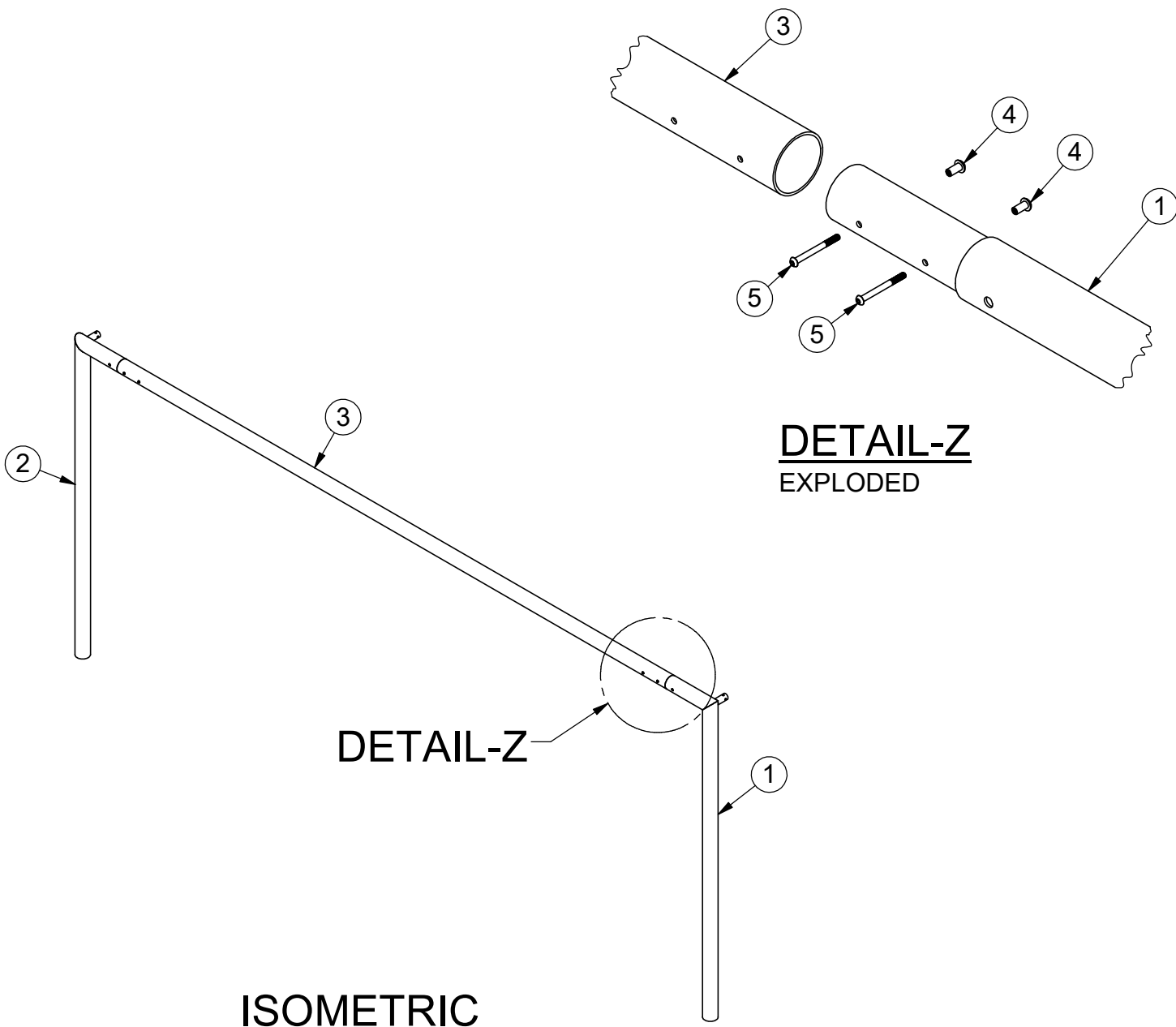
SOCCER GOAL

MODEL NO.

SPEC LA-2230-21A-21G

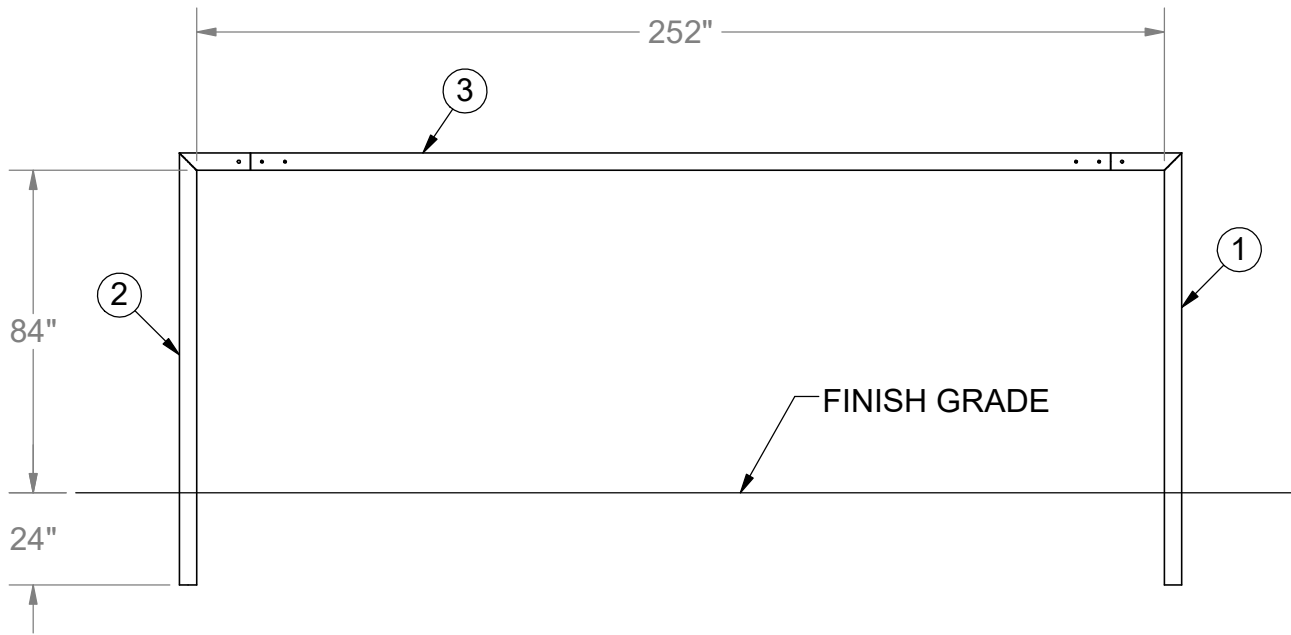
BOM

ITEM NO.	PART NUMBER	DESCRIPTION	QTY.
1	SAS-503-2230-7'-21G,22G	RIGHT UPRIGHT	2
2	SAS-503-2230-7'-21G,22G	LEFT UPRIGHT	2
3	RT-016-2230-31-21'G	CROSSBAR	2
4	HWBN381	3/8"-16 x 1" BUTTON HEAD BARREL NUT	8
5	HWBH384	3/8"-16 x 4" BUTTON HEAD BOLT	8

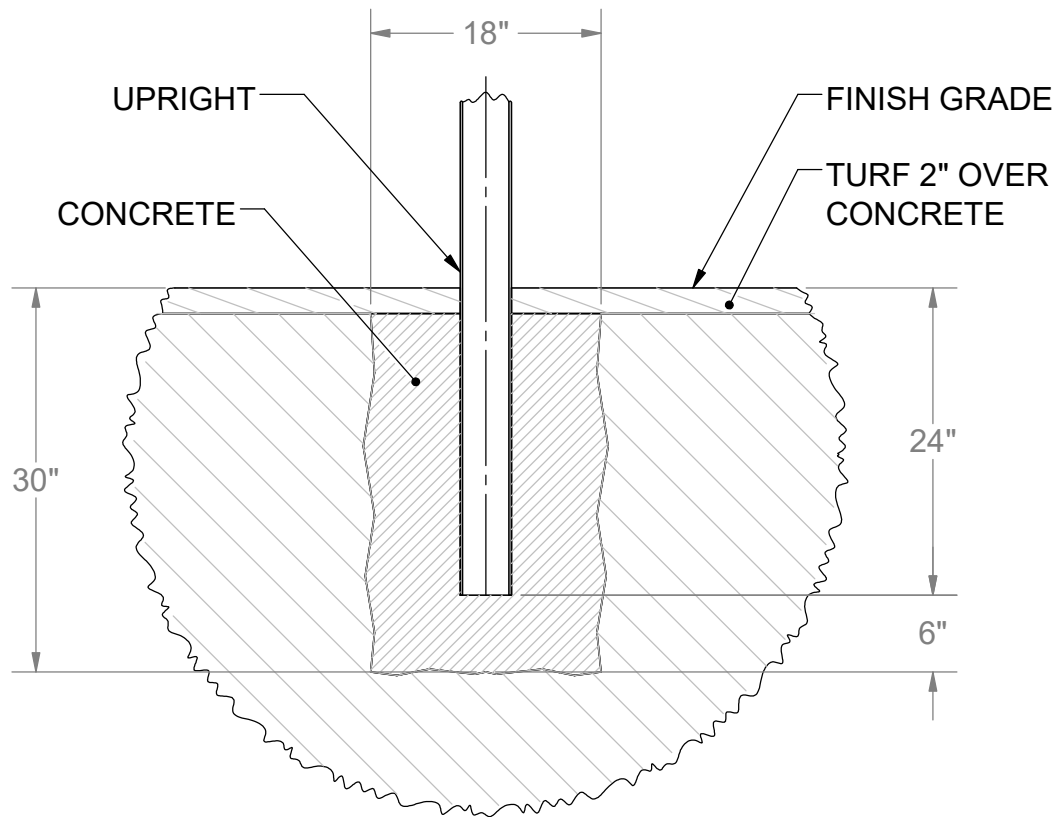


Date: 7/26/2017
 Rev: A
 Drawn: BDYE
 Sheet: 2 of 3

PRODUCT NAME
 SOCCER GOAL
MODEL NO.
 SPEC LA-2230-21A-21G



FRONT VIEW



FOOTING DETAIL

Date: 7/26/2017	PRODUCT NAME
Rev: A	SOCGER GOAL
Drawn: BDYE	MODEL NO.
Sheet: 3 of 3	SPEC LA-2230-21A-21G