

4 1/2" ROUND PERMANENT NCAA REGULATION SOCCER GOALS

8' H x 24' W

#LA-2230-03G STEEL - EUROPEAN STYLE - 8'H x 24'W (930 LBS) PER SET
#LA-2230-03A ALUMINUM - EUROPEAN STYLE - 8'H x 24'W (296 LBS) PER SET

SPECIFICATIONS:

NCAA soccer goal which provides a 8'H x 24'W front inside opening.
Crossbar and Uprights - a single length of 4 1/2" round steel or aluminum tubing, powder coated white. Crossbar is bolted to uprights.

All hardware is zinc-plated or Stainless Steel for long, rust free service.

Warranty period: 10 years

INSTALLATION:

1. Dig footing holes per detail. Required footing size may vary depending on local building codes
2. Lay Upright/Corner Assemblies parallel on the ground according to width of goal ordered with pipe stubs facing up
3. Assemble crossbar to upright/corner assemblies with 3/8"-16 x 4" Button Head Bolts & 3/8" Button Head Barrel nuts. Use hex key wrench to tighten.
4. Tighten all bolts and set screws, cut and peen any excess threads.
5. Carefully rotate goal into upright position. Lower goal into footing holes, plumb and brace.
6. Brace so crossbar bottom is 8'-0" above finish grade depending on model ordered. Shim from below if needed.
7. Pour concrete to within 2" of finished grade and let set for 3 days.
8. Cover concrete footings with soil/turf, synthetic turf, or any appropriate field surfacing material.



Date: 7/26/2017

Rev: A

Drawn: BDYE

Sheet: 1 of 3

PRODUCT NAME

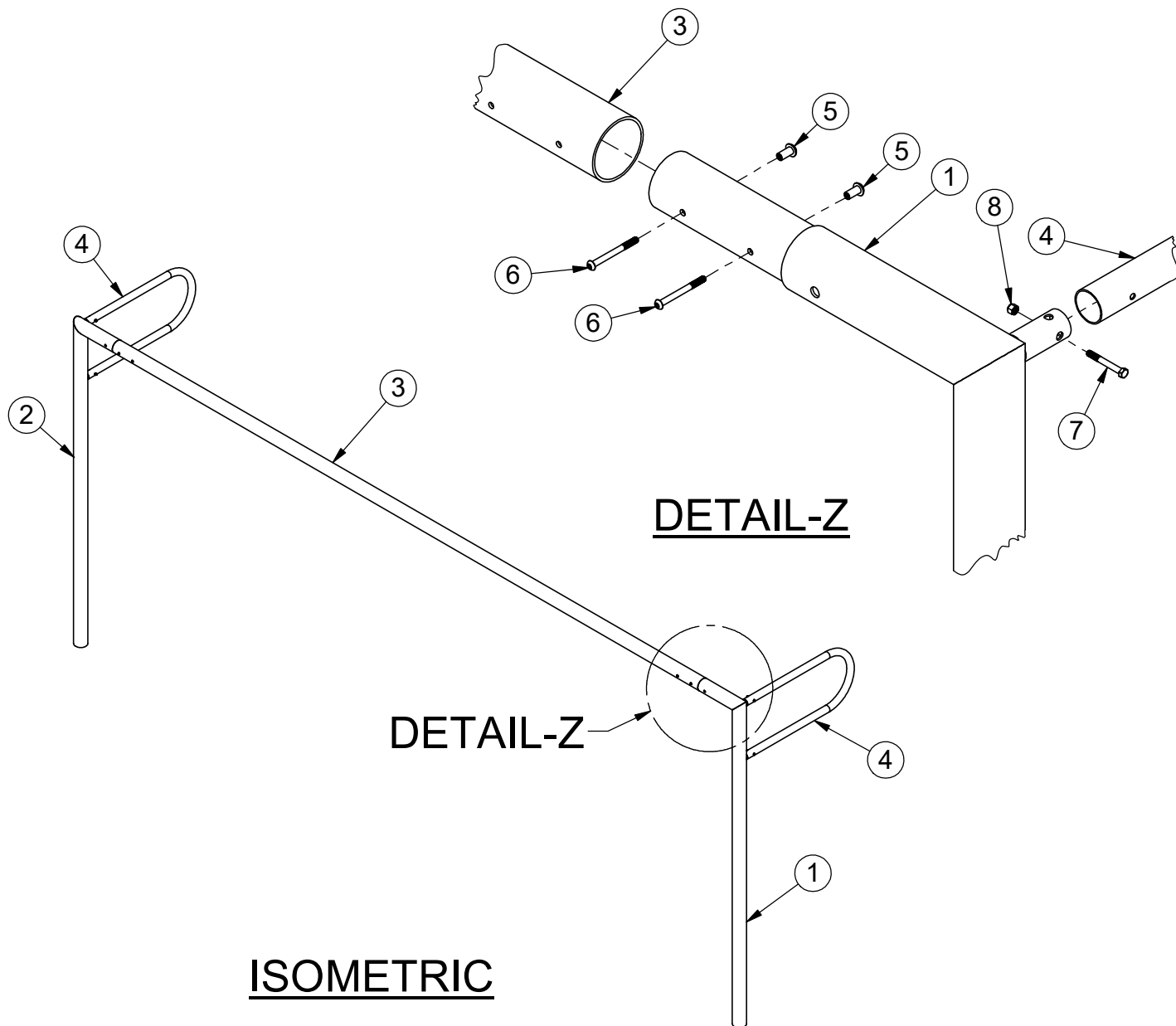
SOCCER GOAL

MODEL NO.

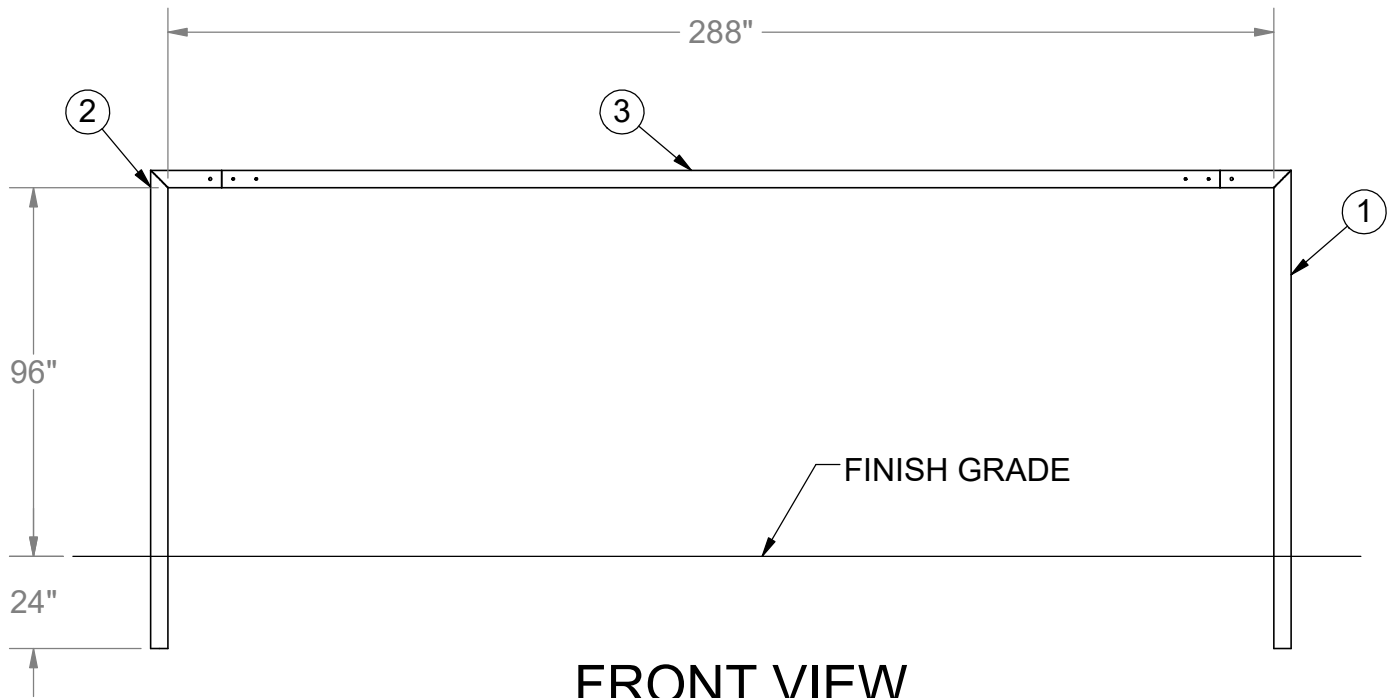
SPEC LA-2230-03A-03G

BOM

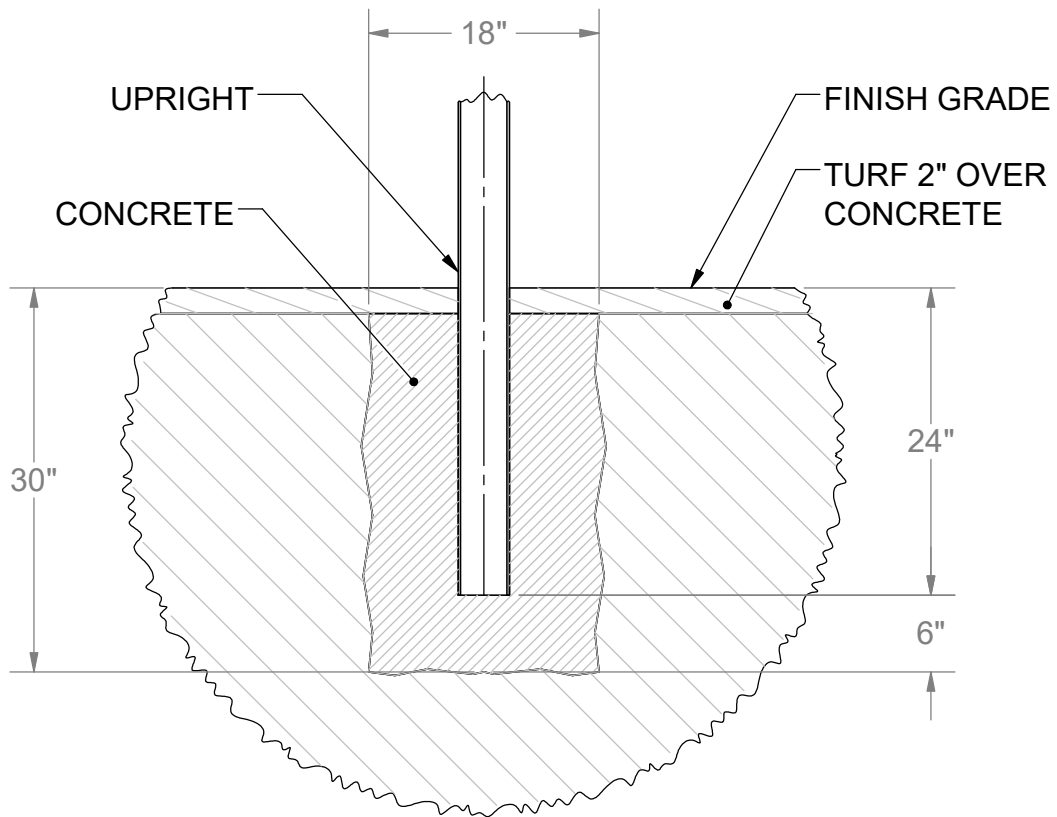
ITEM NO.	PART NUMBER	DESCRIPTION	QTY.
1	SAS-507-2230-8'-03G	RIGHT UPRIGHT	2
2	SAS-507-2230-8'-03G	LEFT UPRIGHT	2
3	RT-018-2230-31-24'G	CROSSBAR	2
4	RT-0002-1000-G	2 3/8"x 11G WALL LOOP	4
5	HWBN381	3/8"-16 x 1" BUTTON HEAD BARREL NUT	8
6	HWBH384	3/8"-16 x 4" BUTTON HEAD BOLT	8
7	HWHB383	3/8"x16 x 3" SS HEX BOLT	8
8	HWLN38	3/8"-16 LOCK NUT	8



Date: 7/26/2017	PRODUCT NAME SOCCER GOAL
Rev: A	
Drawn: BDYE	MODEL NO. SPEC LA-2230-03A-03G
Sheet: 2 of 3	



FRONT VIEW



FOOTING DETAIL



Date: 7/26/2017

Rev: A

Drawn: BDYE

Sheet: 3 of 3

PRODUCT NAME

SOCCER GOAL

MODEL NO.

SPEC LA-2230-03A-03G