

## 4 1/2" ROUND PERMANENT NCAA REGULATION SOCCER GOALS

8' H x 24' W

#LA-2230-01G STEEL - WITH NET SUPPORTS - 8'H x 24'W (1,000 LBS) PER SET  
#LA-2230-01A ALUMINUM - WITH NET SUPPORTS - 8'H x 24'W (368 LBS) PER SET

### SPECIFICATIONS:

NCAA soccer goal which provides a 8'H x 24'W front inside opening.  
Crossbar and Uprights - a single length of 4 1/2" round steel or aluminum tubing, powder coated white. Crossbar is bolted to uprights.

All hardware is zinc-plated or Stainless Steel for long, rust free service.

Warranty period: 10 years

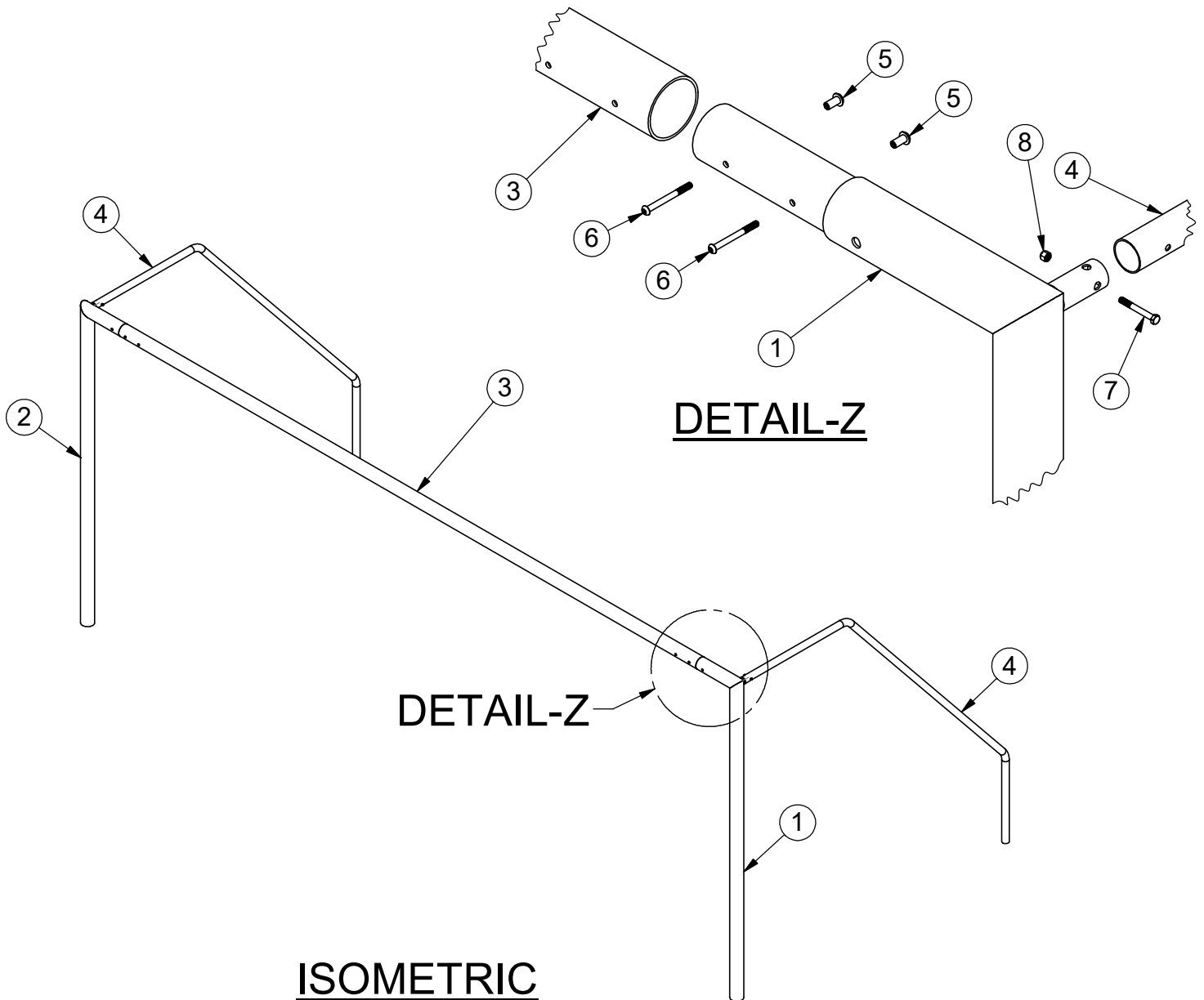
### INSTALLATION:

1. Dig footing holes per detail. Required footing size may vary depending on local building codes
2. Lay Upright/Corner Assemblies parallel on the ground according to width of goal ordered with pipe stubs facing up
3. Assemble crossbar to upright/corner assemblies with 3/8"-16 x 4" Button Head Bolts & 3/8" Button Head Barrel nuts. Use hex key wrench to tighten.
4. Tighten all bolts and set screws, cut and peen any excess threads.
5. Carefully rotate goal into upright position. Lower goal into footing holes, plumb and brace.
6. Brace so crossbar bottom is 8'-0" above finish grade depending on model ordered. Shim from below if needed.
7. Pour concrete to within 2" of finished grade and let set for 3 days.
8. Cover concrete footings with soil/turf, synthetic turf, or any appropriate field surfacing material.



Date: 7/26/2017	<b>PRODUCT NAME</b> <b>SOCCER GOAL</b>
Rev: A	
Drawn: BDYE	<b>MODEL NO.</b> <b>SPEC LA-2230-01A-01G</b>
Sheet: 1 of 3	

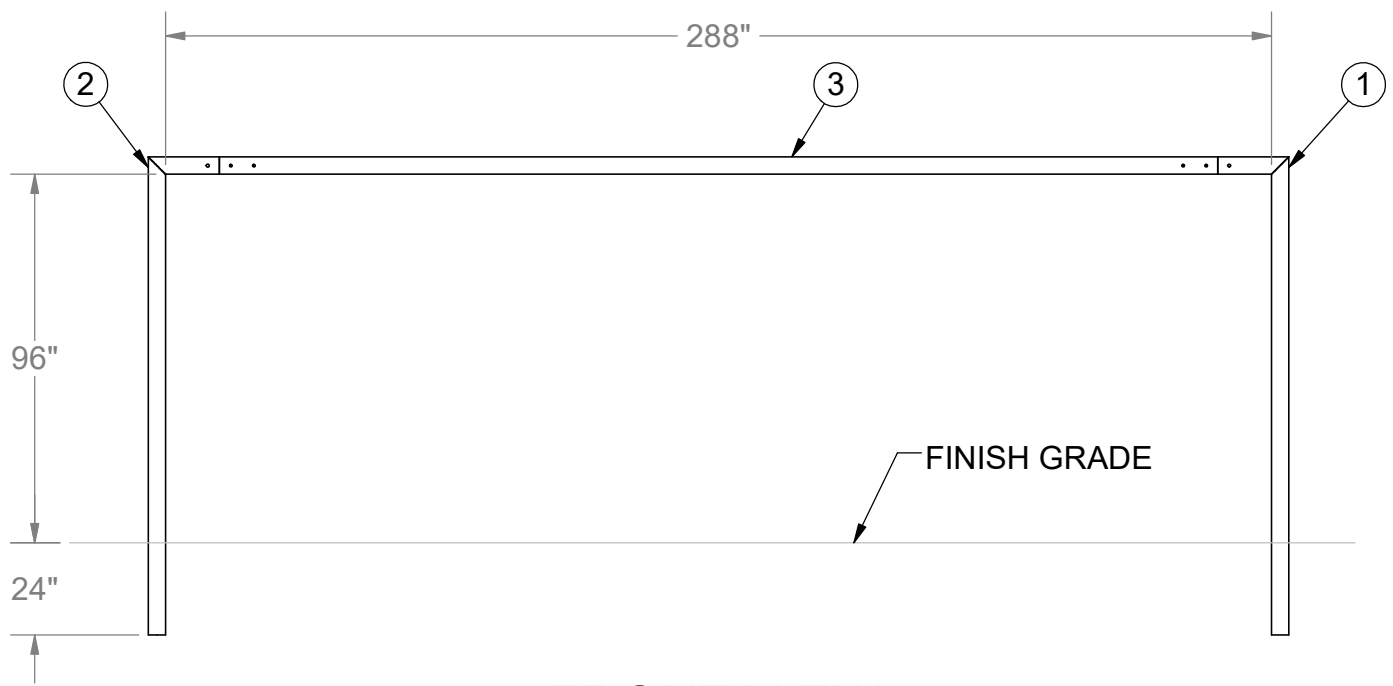
BOM			
ITEM NO.	PART NUMBER	DESCRIPTION	QTY.
1	SAS-505-2230-8'-00G,01G	RIGHT UPRIGHT	2
2	SAS-505-2230-8'-00G,01G	LEFT UPRIGHT	2
3	RT-018-2230-31-24'G	CROSSBAR	2
4	RT-044-2200-8-PERM	NET SUPPORT TUBE	4
5	HWBN381	3/8"-16 x 1" BUTTON HEAD BARREL NUT	8
6	HWBH384	3/8"-16 x 4" BUTTON HEAD BOLT	8
7	HWHB383	3/8"x16 x 3" SS HEX BOLT	4
8	HWLN38	3/8"-16 LOCK NUT	4



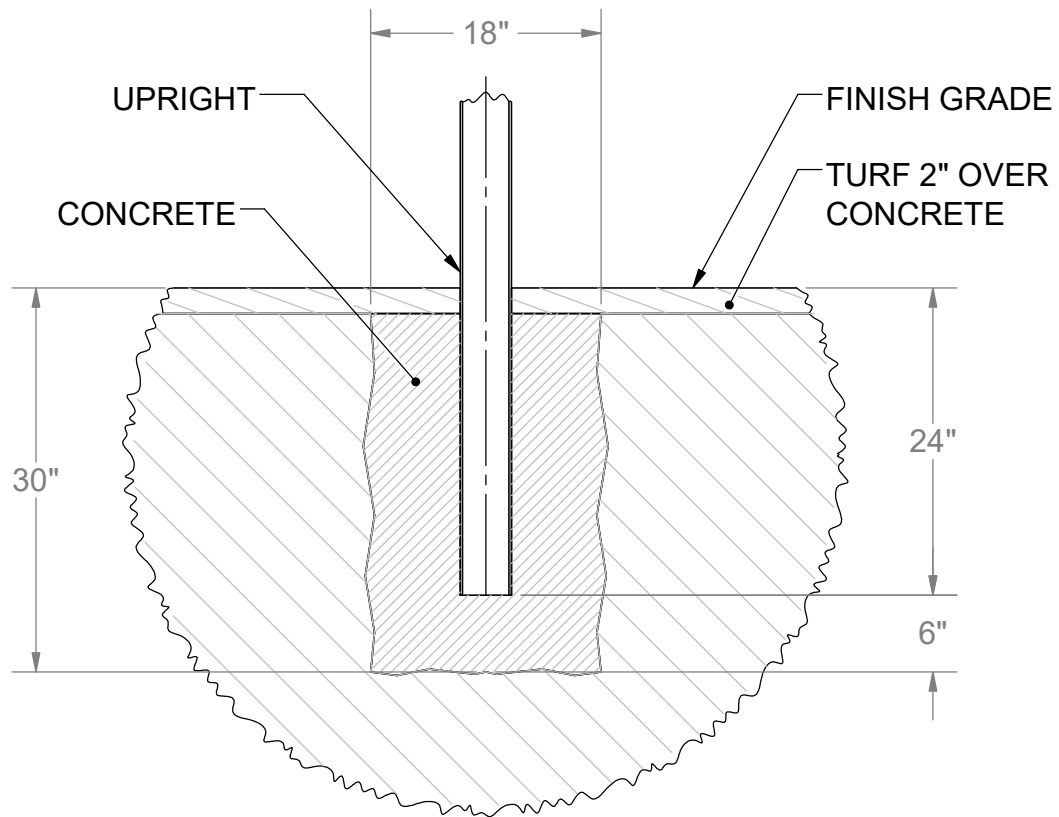
Date: 7/26/2017  
 Rev: A  
 Drawn: BDYE  
 Sheet: 2 of 3

**PRODUCT NAME**  
**SOCCKER GOAL**

**MODEL NO.**  
**SPEC LA-2230-01A-01G**



**FRONT VIEW**



**FOOTING DETAIL**



Date: 7/26/2017  
 Rev: A  
 Drawn: BDYE  
 Sheet: 3 of 3

PRODUCT NAME  
**SOCCER GOAL**  
 MODEL NO.  
**SPEC LA-2230-01A-01G**