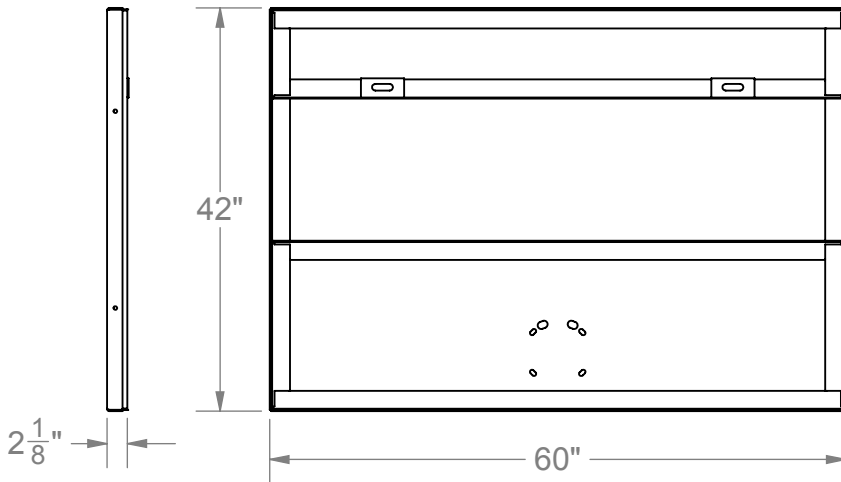


BASKETBALL BACKBOARD

MODEL #LA-19 HEAVY DUTY ALUMINUM RECTANGLE, WHITE (170 LBS)
(Steel board powder coated white after fabrication)



The Model 19 is fabricated from a single sheet of heavy duty aluminum and heavily reinforced around the perimeter and interior with 2" x 2" x 3/16" aluminum angle and powder coated white after fabrication.

STANDARD HARDWARE KIT FOR USE ON ALL BACKBOARD INSTALLATIONS	Qty
3/8-16 x 3-1/2" GR5 Fully Threaded Hex Bolt Zinc	4
3/8-16 x 1" GR5 C/S Zinc Hex Bolt (Cap Screw)	2
3/8-16 x 2" Flat Head Socket Cap Screw 18.8 SS	7
3/8" USS Flat Washer Zinc	15
3/8-16 Insert Nylock Zinc (2500)	11

GENERAL:

This heavy-duty backboard is designed for outdoor use. Backboards are fabricated from a variety of materials to suit your specific requirements. Always use the goal ring holes to secure the backboard to the mounting plate.

For installation of backboards to LA Steelcraft posts ONLY. For other manufacturer's posts and backboards, please consult installation instructions provided by that manufacturer.

The Model LA-19 backboard is equipped with a 6-hole mounting pattern. This board requires the use of the two countersunk holes on the face of each board. NOTE: These two holes are used for attaching the backboard to the mounting plate and are only used to aid in installation.

Always use the goal ring holes to secure the backboard to the mounting plate.

NOTE: The Rim and Backboard are to be mounted securely to the sleeve adapter (GNP). Attach the sleeve to the Post and secure with set screws and drive pin.


1. Align the Rim with the holes on the Backboard and mounting plate and attach with 3/8" x 3-1/2" Hex Head bolts, Flat Washers and Nylock Nuts.
2. Attach the assembled Rim/Backboard/Sleeve to the Gooseneck Post.
3. For **Adjustable Offset Goals**, attach the Rim and Backboard with supplied hardware to the adjustable offset. Use the other half clamp and attach the assembly to the bottom of the post. Once all the hardware is snug, slide the assembly up the post to the desired height.

Caution: Flat washers must be used behind the plate when mounting the backboard.

4. Adjust the backboard to square and tighten all the bolts. The Model LA-19 (1/4" aluminum) backboard is equipped with a welded angle on the back for diagonal brace installation.

WARRANTY PERIOD: Limited lifetime Warranty.

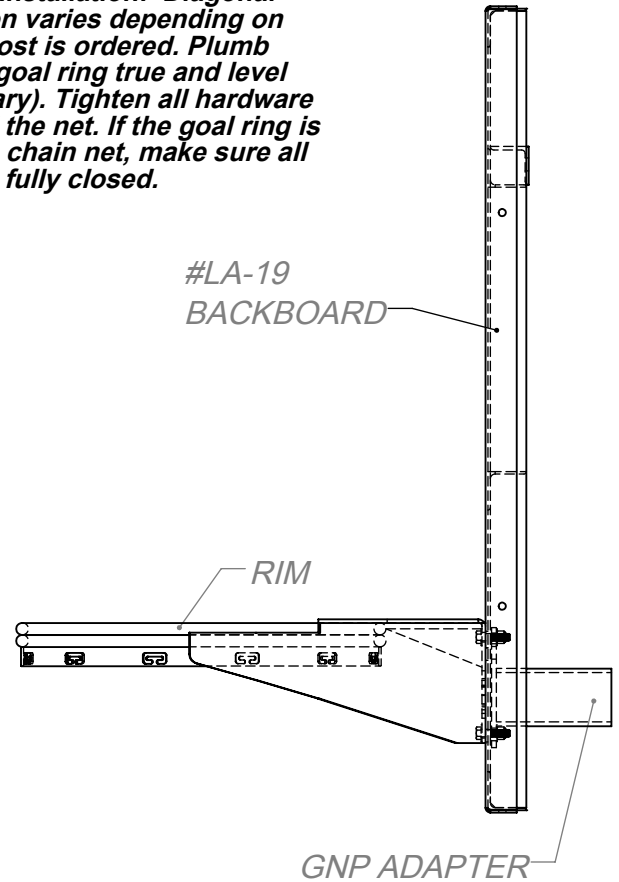
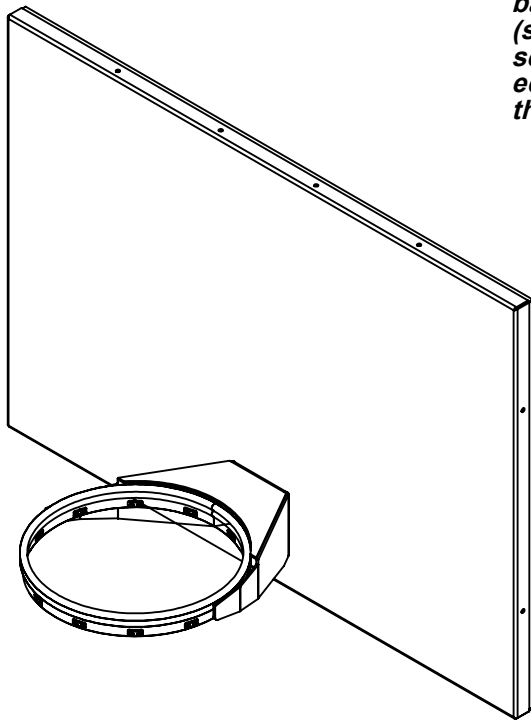
Diagonal Brace Installation: Diagonal brace installation varies depending on which upright post is ordered. Plumb the backboard and goal ring true vertical and level (shim if necessary). Tighten all hardware securely. Install the net. If the goal ring is equipped with a chain net, make sure all the S-hooks are fully closed.

 <p>Steelcraft ELEMENTS FOR LIFE OUTSIDE®</p> <p>www.LASTEELCRAFT.com 1-800-371-2438</p>	Date: 4/8/15	SPECIFICATION / INSTALLATION INSTRUCTIONS HEAVY-DUTY ALUMINUM RECTANGLE BASKETBALL BACKBOARD
	Rev: 12/13/22	
	Drawn: MT	MODEL NO.
	Sheet: 1 of 2	LA-19

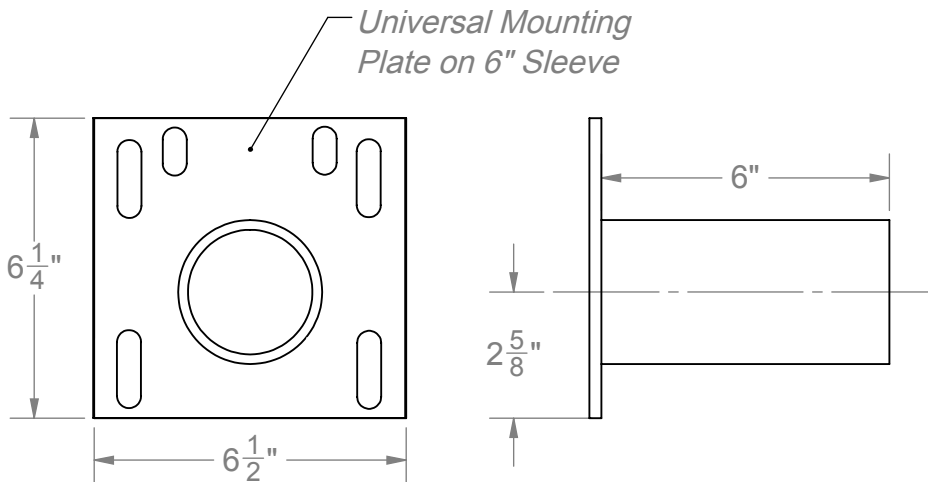
BASKETBALL BACKBOARD

MODEL #LA-19 HEAVY DUTY ALUMINUM RECTANGLE, WHITE (170 LBS)
(Steel board powder coated white after fabrication)

Diagonal Brace Installation: Diagonal brace installation varies depending on which upright post is ordered. Plumb backboard and goal ring true and level (shim if necessary). Tighten all hardware securely. Install the net. If the goal ring is equipped with a chain net, make sure all the S-hooks are fully closed.



NOTE: Sleeves supplied with Gooseneck Post ONLY



Post Size	Sleeve Size
3-1/2"	3"
4-1/2"	4"
5-9/16"	5"
6-5/8"	6"



Date: 4/8/15
Rev: 12/13/22
Drawn: MT
Sheet: 2 of 2

SPECIFICATION / INSTALLATION INSTRUCTIONS
HEAVY-DUTY ALUMINUM RECTANGLE
BASKETBALL BACKBOARD

MODEL NO.

LA-19